



Mayhew Sling Counter & Bar Chairs Assembly Guide



Bar Height



Counter Height

Tools Required



Cordless Drill



#2 Square Drive Bit (Included)



5/32" Allen Drive Bit (Included)

Hardware Included



8- 1/4" x 1 3/4" Lags



4 - 2" Pandeck Screws (Bar Height Only)



2 - 3" Buglehead Screws



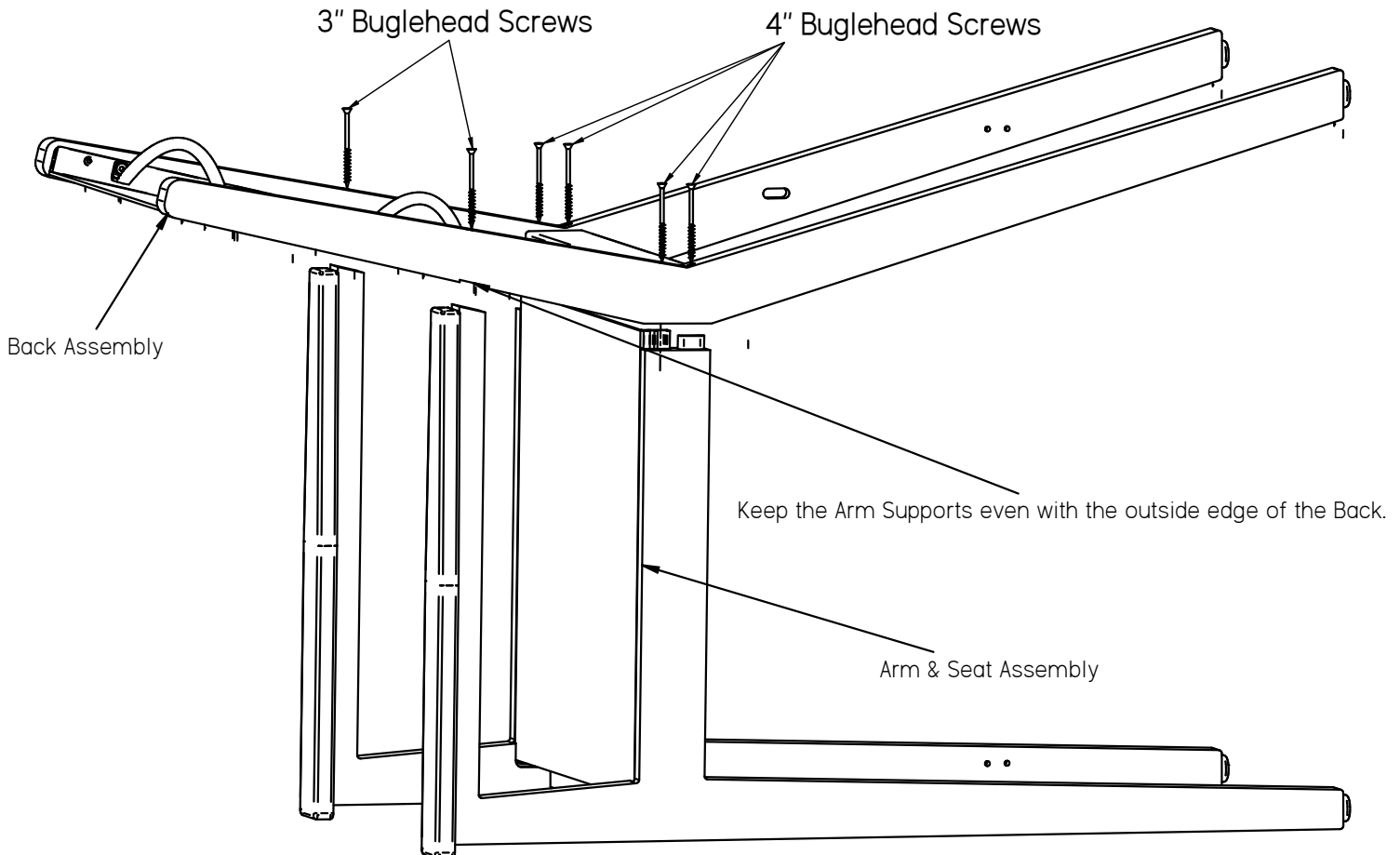
4 - 4" Buglehead Screws

Step 1

Set the Arm and Seat Assembly forward onto the front of the Arms and set the Back Assembly on top. Be sure to do this on top of a soft surface to avoid damaging the arms. Fasten the Back to the Seat using four - 4" Buglehead Screws. Keeping the Arms Supports even with the outside edges of the Back, fasten them using two - 3" Buglehead Screws.



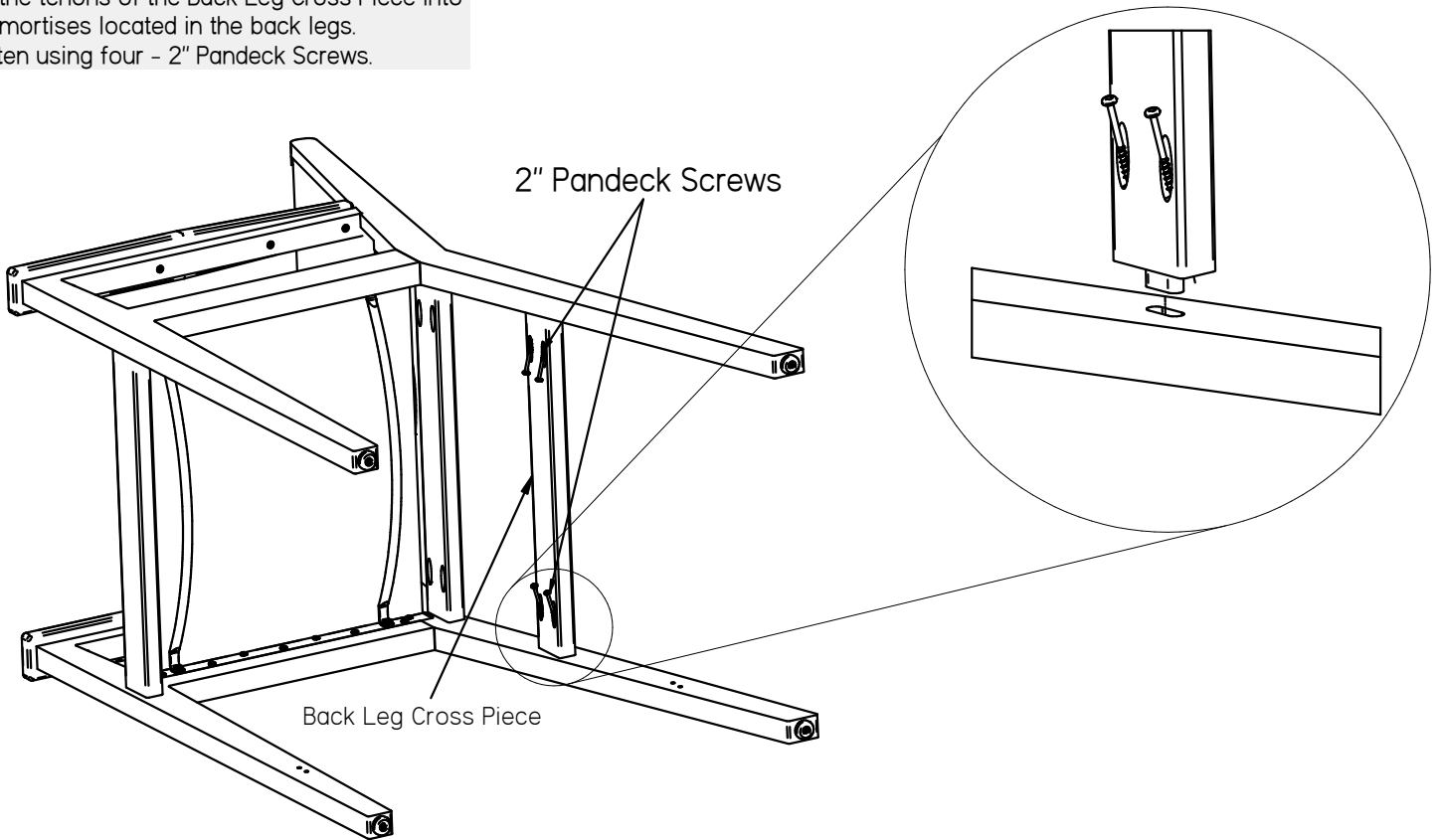
When tightening screws or lags, **DO NOT OVERTIGHTEN** to avoid stripping their hold on the material!



Step 2

(Bar Height Only)

Lay the chair on its side on a soft surface. Set the tenons of the Back Leg Cross Piece into the mortises located in the back legs. Fasten using four - 2" Pandeck Screws.



Step 3

Place the Footrest Assembly between the chair legs. Align the predrilled holes of the footrest with the predrilled holes in the chair legs. Using the 5/32 Allen Drive Bit, fasten it using 8 - 1/4" x 2" Lags. You may need to reverse your drill several times before you are able to drive the lags in completely.

