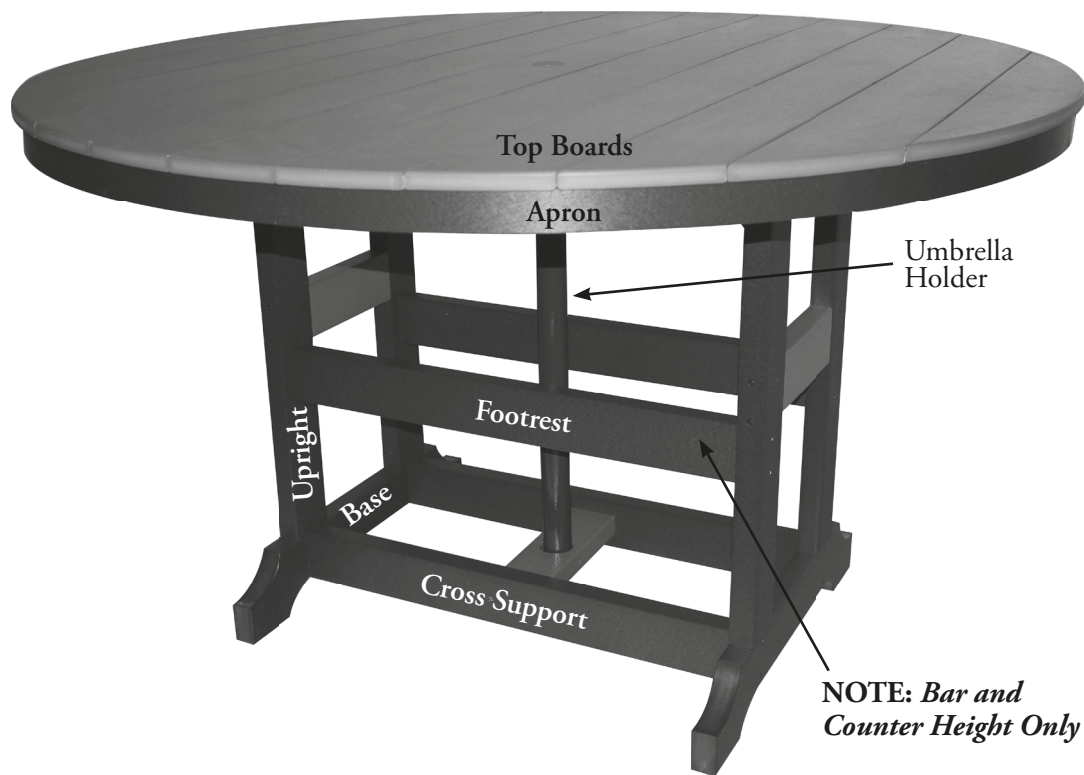


# Assembly Directions for 60" Round Table

#GCT0060D, #GCT0060C, #GCT0060B



## PACKAGE CONTENTS

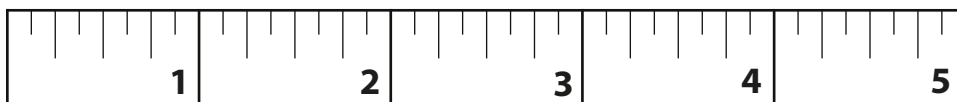
- 1 Top
- 2 Bases
- 1 Cross Support
- 1 Center Leg
- 2 Footrests (Bar and Counter Height Only)
- 4 Braces
- 1 Hardware Package

## TOOLS NEEDED:

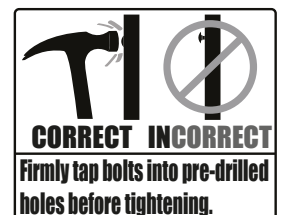
- Hammer
- $\frac{7}{16}$ " Wrench
- Cordless Drill/Screwdriver
- Allen Wrench (Included)

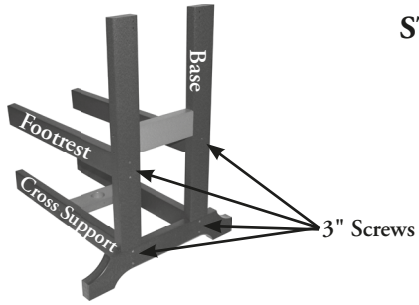
## HARDWARE PACKAGE

- 8  $\frac{1}{4}$ " x 2" Allen Head Bolts
- 8  $\frac{1}{4}$ " Flange Nuts
- 2 Umbrella Knobs
- 16 3" Screws
- 4  $1\frac{1}{2}$ " Screws
- 8  $\frac{5}{8}$ " Pan Head Screws
- 8  $\frac{3}{4}$ " Screws
- 1 Allen Wrench

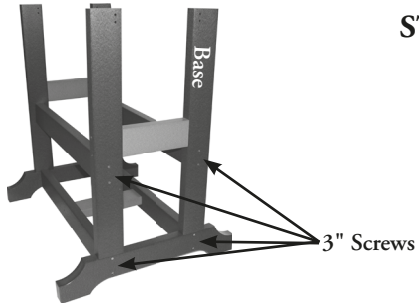


Use to measure bolts

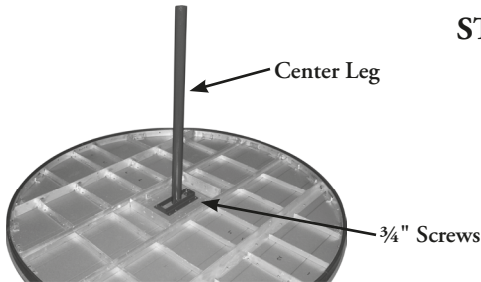




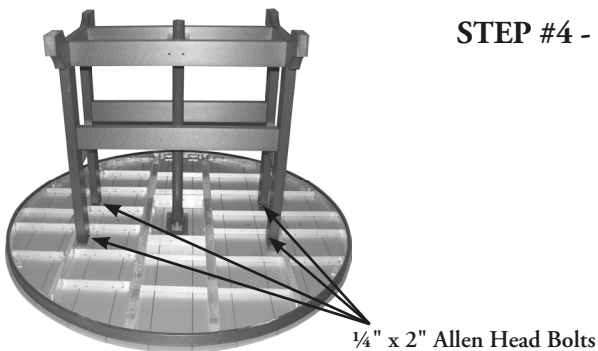
**STEP #1** - First, assemble the cross support to the base using 3" screws. Second, fasten the footrests to the base using 3" screws (**Bar and Counter Height Only.**)



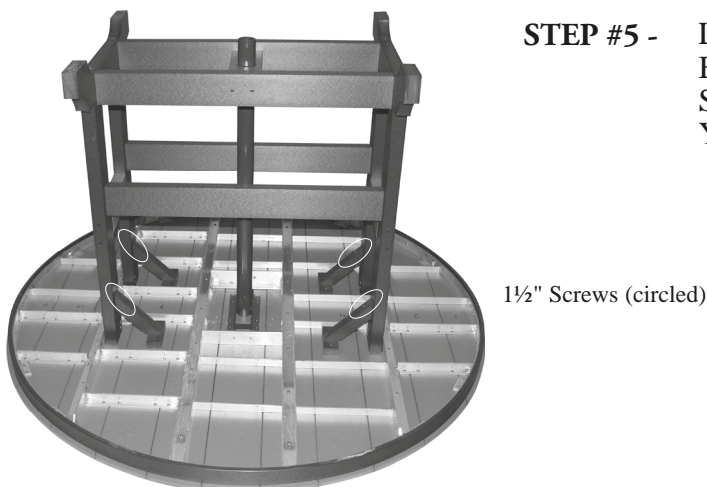
**STEP #2** - With the second base, repeat step #1.



**STEP #3** - Position the center leg over the umbrella plug and fasten the center leg to the top using 3/4" screws. **Caution! To keep screws from spinning out, do not overtighten screws!**



**STEP #4** - Lift the base assembly onto the top. Fasten the base assembly to the aluminum frame using 1/4" x 2" Allen Head bolts.



**STEP #5** - Last, attach the Braces to the Top and the Base using 1 1/2" Screws and 5/8" Pan Head Screws (these go into the top). Your 60" Round Table is complete!