

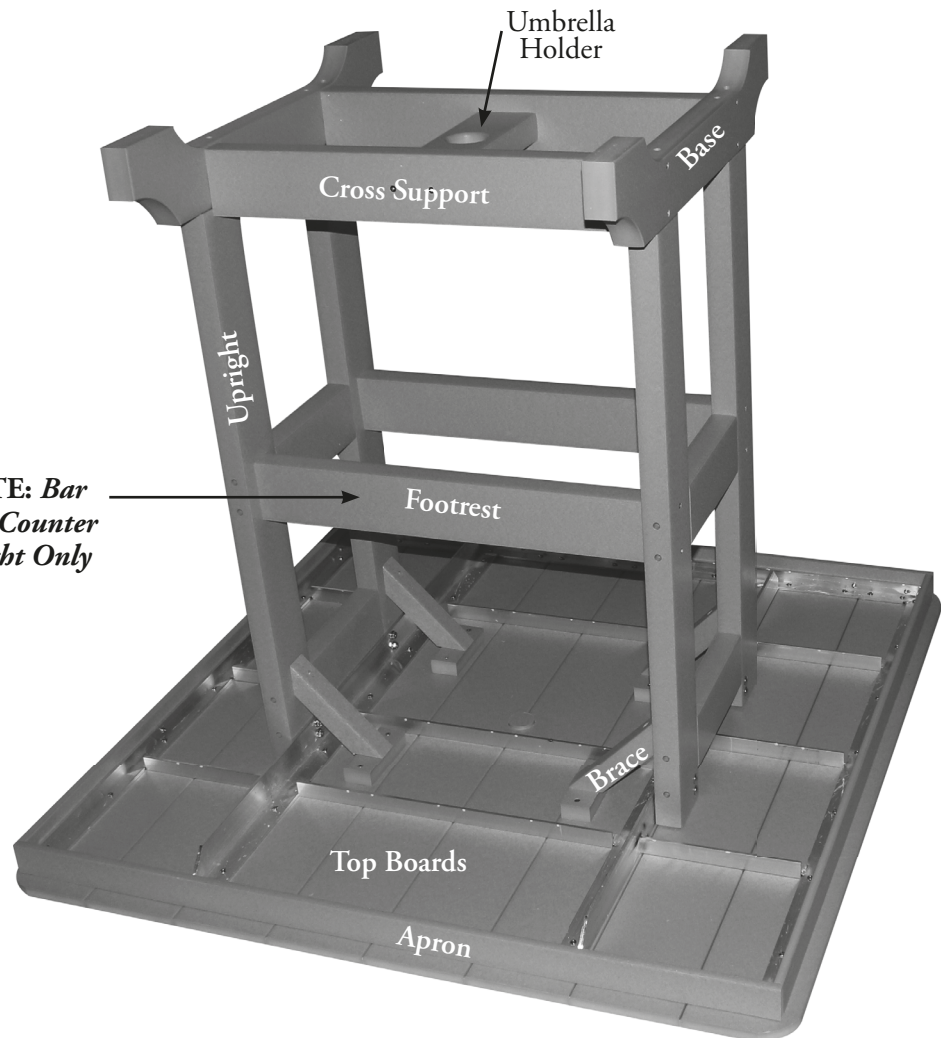
# Assembly Directions for 44" Square Table

in Garden Classic Collection

#GCLT0044D, #GCLT0044C, #GCLT0044B



Garden Classic Table



**NOTE: Bar  
and Counter  
Height Only**

**!**  
Be sure to  
use 1½" *screws*  
when  
fastening  
braces.

## PACKAGE CONTENTS

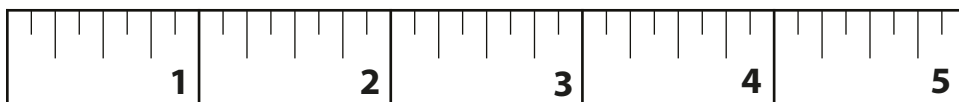
- 1 Top
- 2 Bases
- 1 Cross Support
- 2 Footrests (Bar and Counter Height Only)
- 4 Braces
- 1 Hardware Package

## HARDWARE PACKAGE

- 8 ¼" x 2" Allen Head Bolts
- 8 ¼" Flange Nuts
- 2 Umbrella Knobs
- 16 3" Screws
- 4 1½" Screws
- 8 5/8" Pan Head Screws
- 1 Allen Wrench

## TOOLS NEEDED:

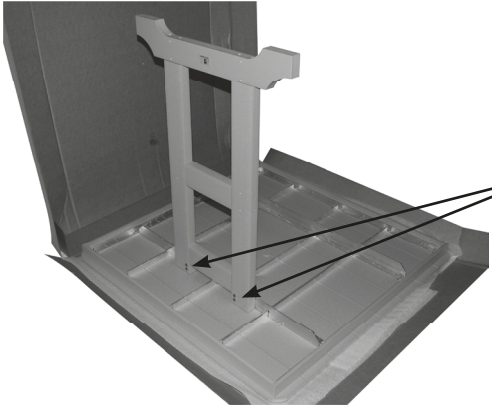
- Hammer
- 7/16" Wrench
- Cordless Drill/Screwdriver
- Allen Wrench (Included)



Use to measure bolts

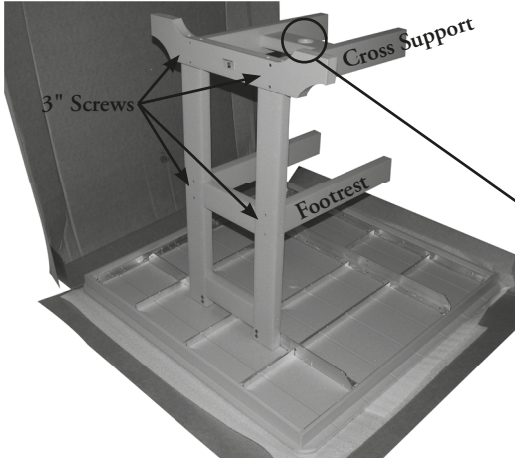


111318



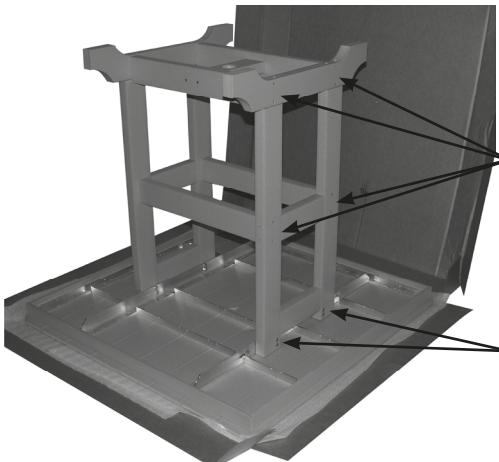
**STEP #1** - Fasten a Base to the aluminum frame of the Top using  $\frac{1}{4}$ " x 2" Allen Head Bolts.

$\frac{1}{4}$ " x 2" Allen Head Bolts



**STEP #2** - First fasten the Cross Support to the Base using 3" Screws. Second fasten the two Footrests to the Upright using 3" Screws (**Bar and Counter height only**).

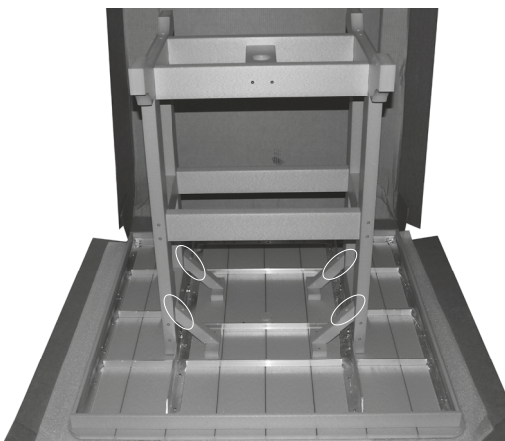
Umbrella Knobs



**STEP #3** - First fasten the second Base to the aluminum frame of the Top using  $\frac{1}{4}$ " x 2" Allen Head Bolts. Second fasten the Cross Support and Footrests to the Base using 3" Screws.

3" Screws

$\frac{1}{4}$ " x 2" Allen Head Bolts



**STEP #4** - Last, attach the Braces to the Top and the Base using  $1\frac{1}{2}$ " Screws and  $\frac{5}{8}$ " Pan Head Screws (these go into the top). Your 44" Square Table is complete!

$1\frac{1}{2}$ " Screws (circled)