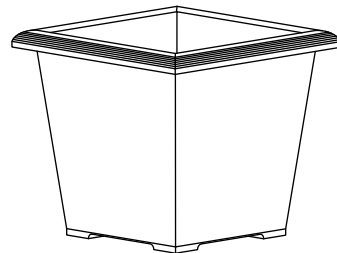
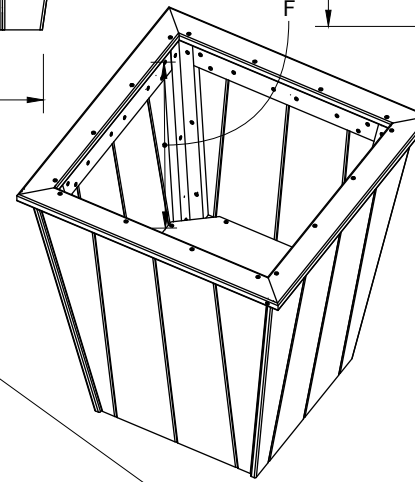
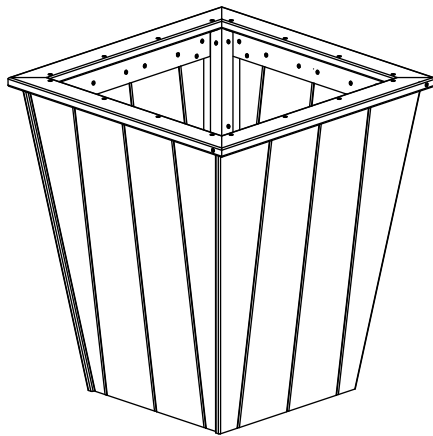
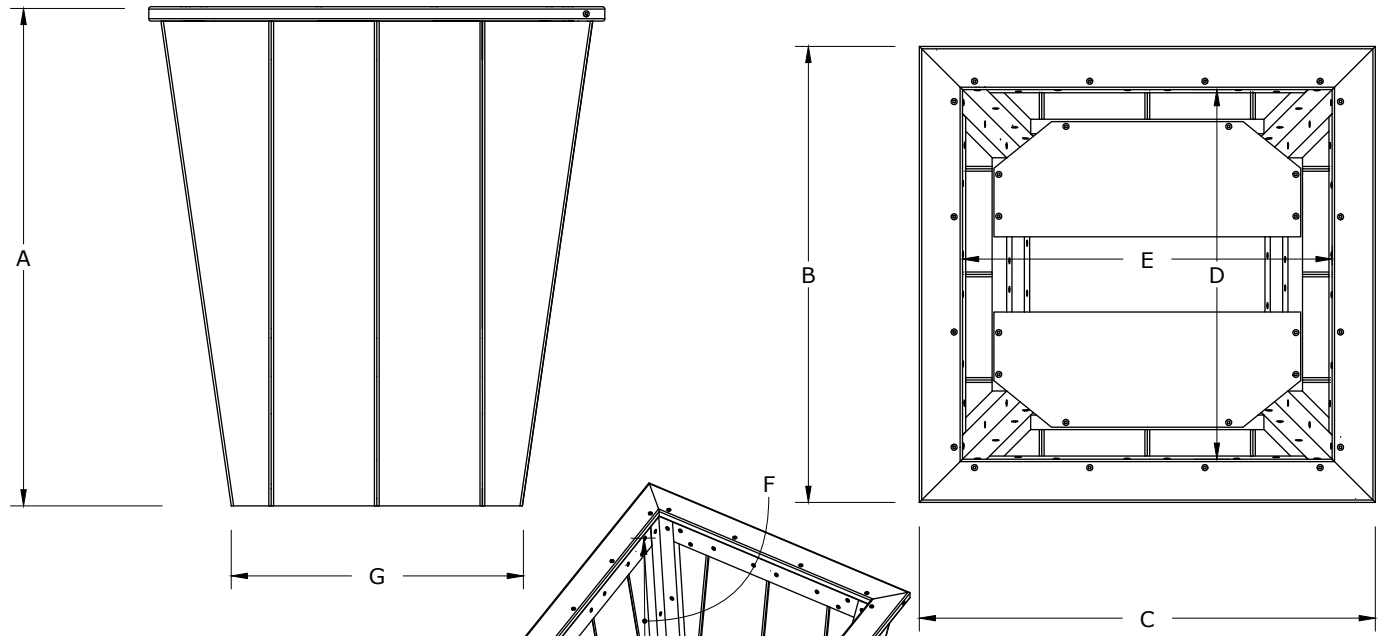




A	Overall Height	26"
B	Overall Depth	23-3/4"
C	Overall Width	23-3/4"
D	Inside Opening Width	19-1/4"
E	Inside Opening Depth	19-1/4"
F	Inside Height	16-3/4"
G	Bottom Width	15-1/4"
Liner Capacity 8-3/4 Gal.		
Weight 46 Lbs.		



Elite 26" Poly Planter Dimensions

10/18/ 2019

R.M.