

Arm Kit for Bristol Dining Chairs



Stationary Chairs
in Dining, Counter,
Bar & XT Heights



Swivel Chairs in Counter,
Bar & XT Heights



Dining Swivel Rocker

Tools Required



Cordless Drill



Square Drive Bit

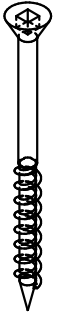


Tape Measure

Hardware Included



1 $\frac{3}{4}$ " Screw X 2

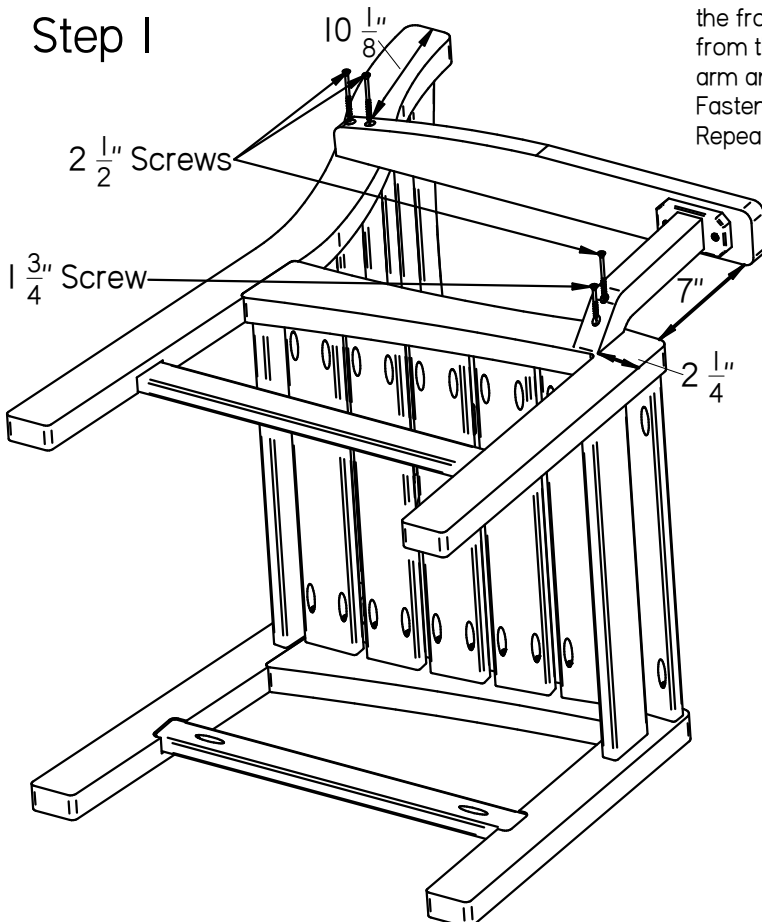


2 $\frac{1}{2}$ " Screw x 6



When tightening screws or lags, **DO NOT OVERTIGHTEN** to avoid stripping their hold on the material!

Step 1



Lay the chair on it's side on a soft surface. Place the Right Arm onto the chair as shown. Measure 2 $\frac{1}{4}$ " from the front edge of the seat support to the upright arm support, 7" from the front, top edge of the seat support to the bottom of the arm and 10 $\frac{1}{8}$ " from the top of the back leg to the top of the arm. Fasten using three 2 $\frac{1}{2}$ " screws and one 1 $\frac{3}{4}$ " screw. Repeat this process with the Left Arm as shown in step 2.

Step 2

