

# Assembly Directions for Adirondack Chair

#PATC2400



## HARDWARE PACKAGE

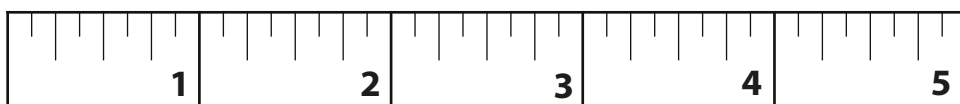
- 2 1/4" x 2 1/2" Lag Bolts
- 4 1/4" x 3 1/2" Allen Head Bolts
- 4 2 1/2" Screws
- 4 1/4" Flange Nuts
- 1 Allen Wrench

## TOOLS NEEDED:

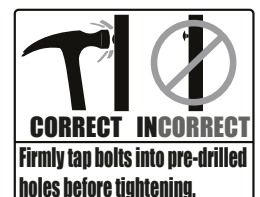
- 7/16" Wrench
- Cordless drill/Screwdriver
- #2 Square Drive Bit
- Allen Wrench (Included)
- Hammer

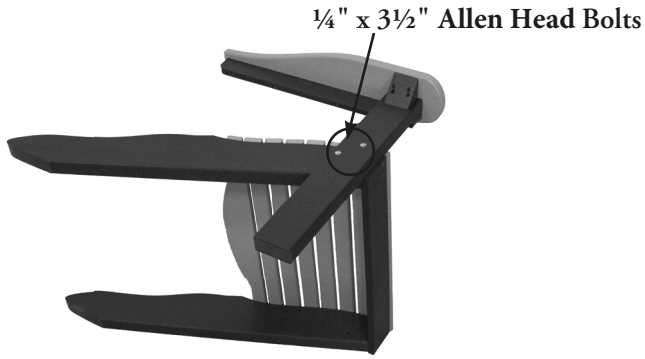
## PACKAGE CONTENTS

- |   |      |   |                  |
|---|------|---|------------------|
| 1 | Seat | 2 | Arm Assemblies   |
| 1 | Back | 1 | Hardware Package |

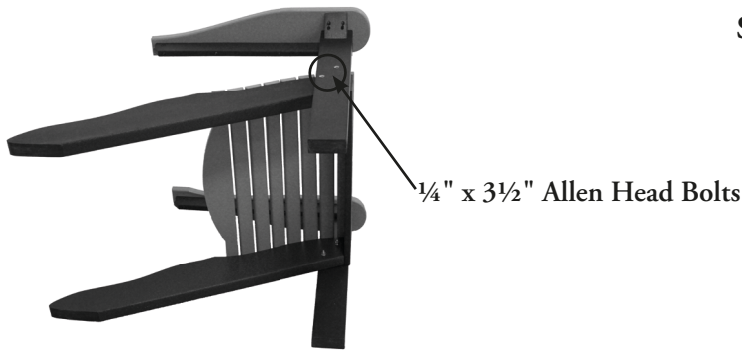


Use to measure bolts

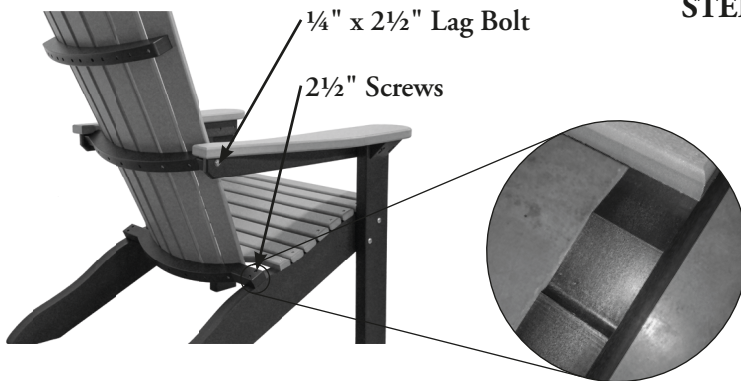




**STEP #1 -** Fasten the seat and the Arm Assemblies using two 1/4" x 3 1/2" Allen Head bolts.



**STEP #2 -** Lay the chair on the other side and repeat Step 1.



**STEP #3 -** A. Fasten arm assembly to the back using one 1/4" x 2 1/2" Lag Bolt.  
B. Fasten Back to the Seat using two 2 1/2" Screws. Place bottom Back Support in routed slot behind last seat slat for placement. (See picture.)



**STEP #4 -** Your Adirondack chair is complete!