

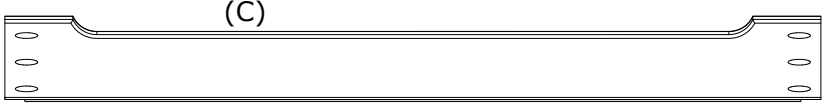
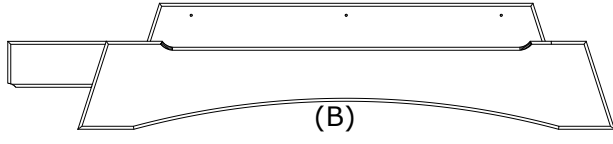
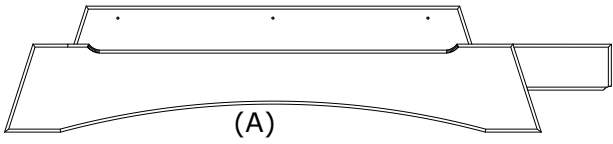


**Tools Required**

#2 Square Drive Bit  
(Not Included)

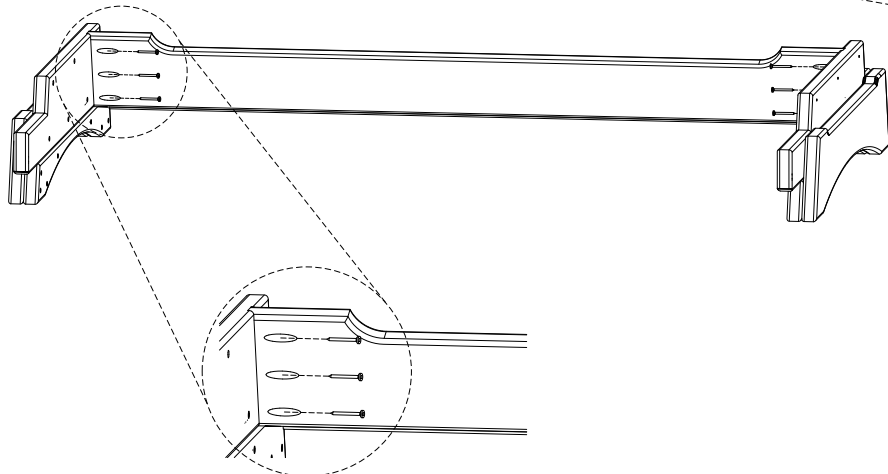
- Parts list**
- 1 - (A) Balcony Base Right Side
  - 1 - (B) Balcony Base Left Side
  - 1 - (C) Back Cross Pc.
  - 1 - (D) Footrest

- Hardware**
- 6 - 2" Screws
  - 12 - 1 1/2" Screws



1. Attach (C) Back Cross Pc. to (A) and (B) Balcony Base using 6 - 1 1/2" Screws in predrilled Pocket Holes. Be sure to match all numbers and or letters.

2. Attach (D) Footrest to (A) and (B) Balcony Base using 6 - 2" Screws in predrilled Holes. Be sure to match all numbers and or letters.

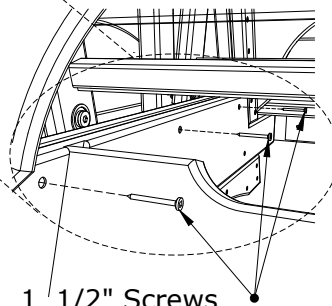
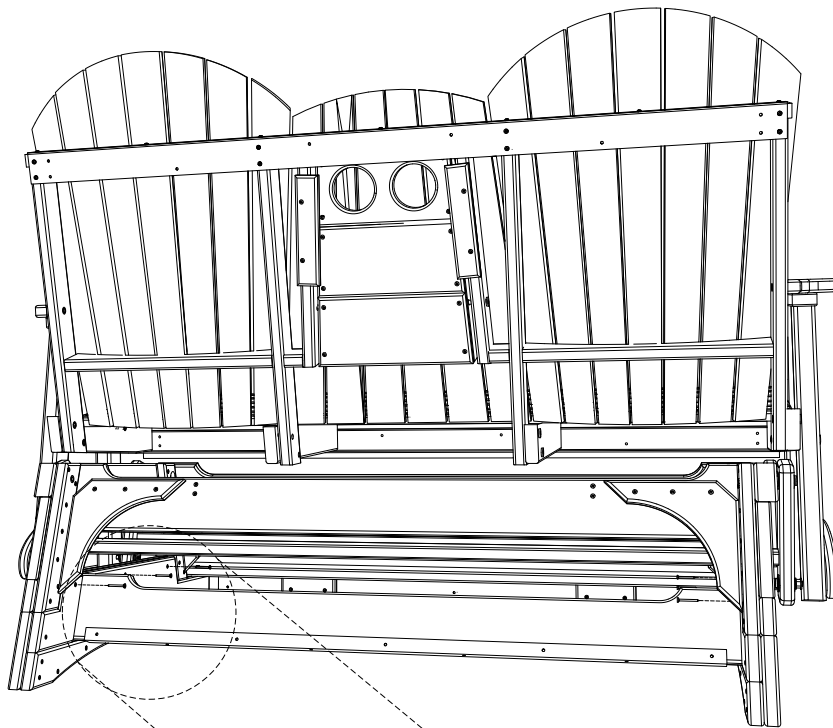
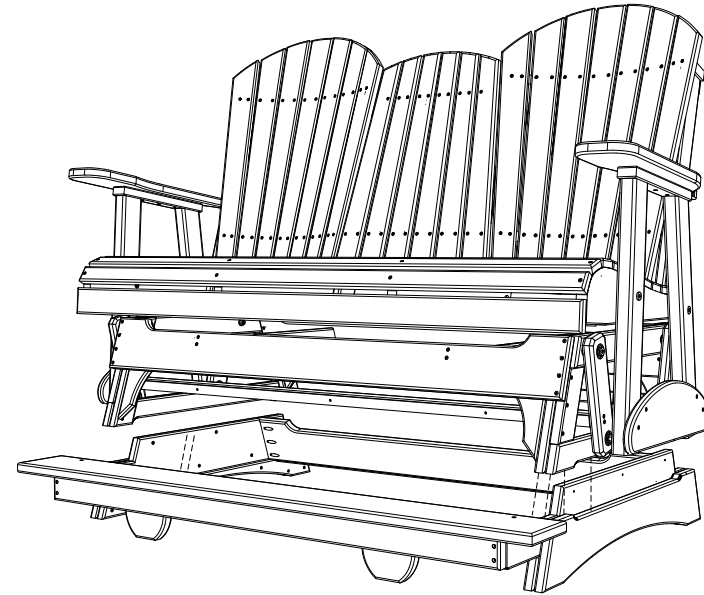


5 Balcony Base Assembly Instructions

	11/15/ 2019	R.M.
--	-------------	------



3. Position Glider on Balcony Base,  
Attach Balcony Base using 3 - 1 1/2"  
Screws per side in predrilled Holes.



1 1/2" Screws

5 Balcony Base Assembly Instructions

11/15/ 2019	R.M.
-------------	------