

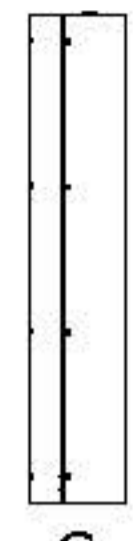
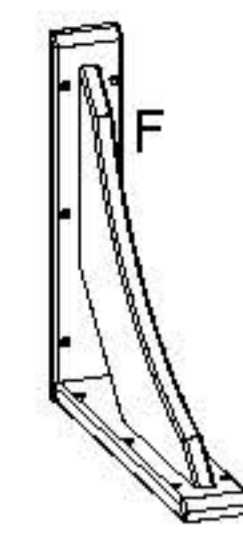
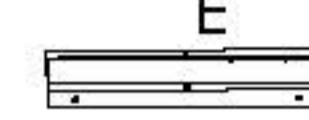
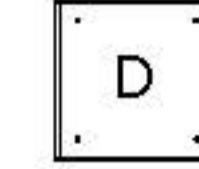
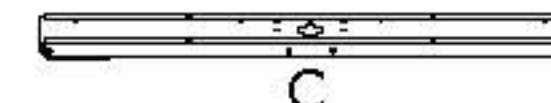
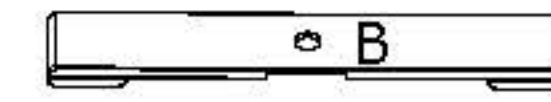
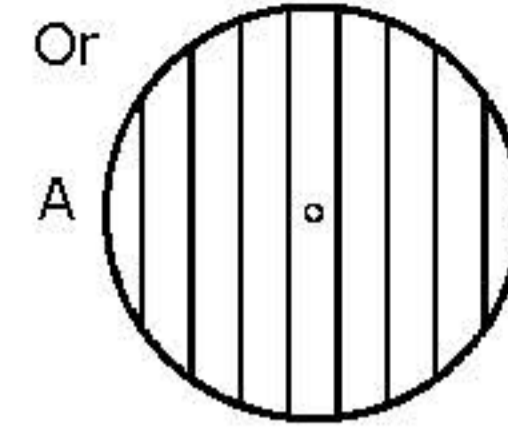
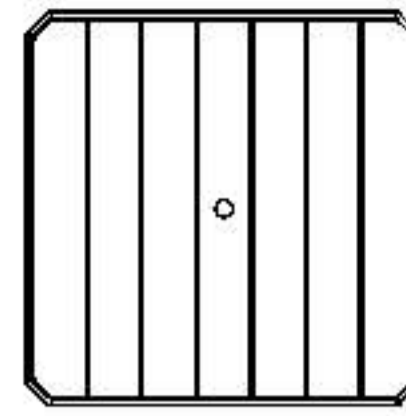


Tools Required

#2 Square Drive Bit
(Not Included)

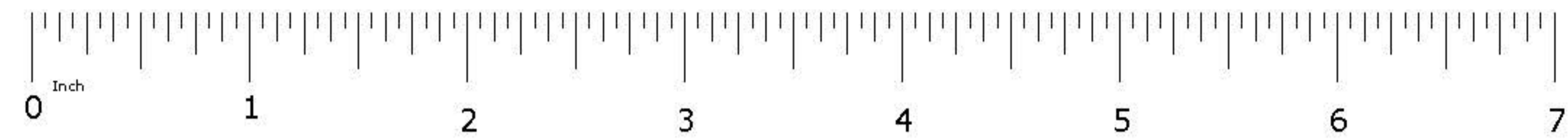
Parts List

- 1 - (A) Table Top
- 2 - (B) Pedestal Feet
- 1 - (C) Top Long Crosspiece
- 1 - (D) Pedestal Block
- 2 - (E) Top Short Crosspiece
- 8 - (F) Braces
- 1 - (G) Pedestal Column

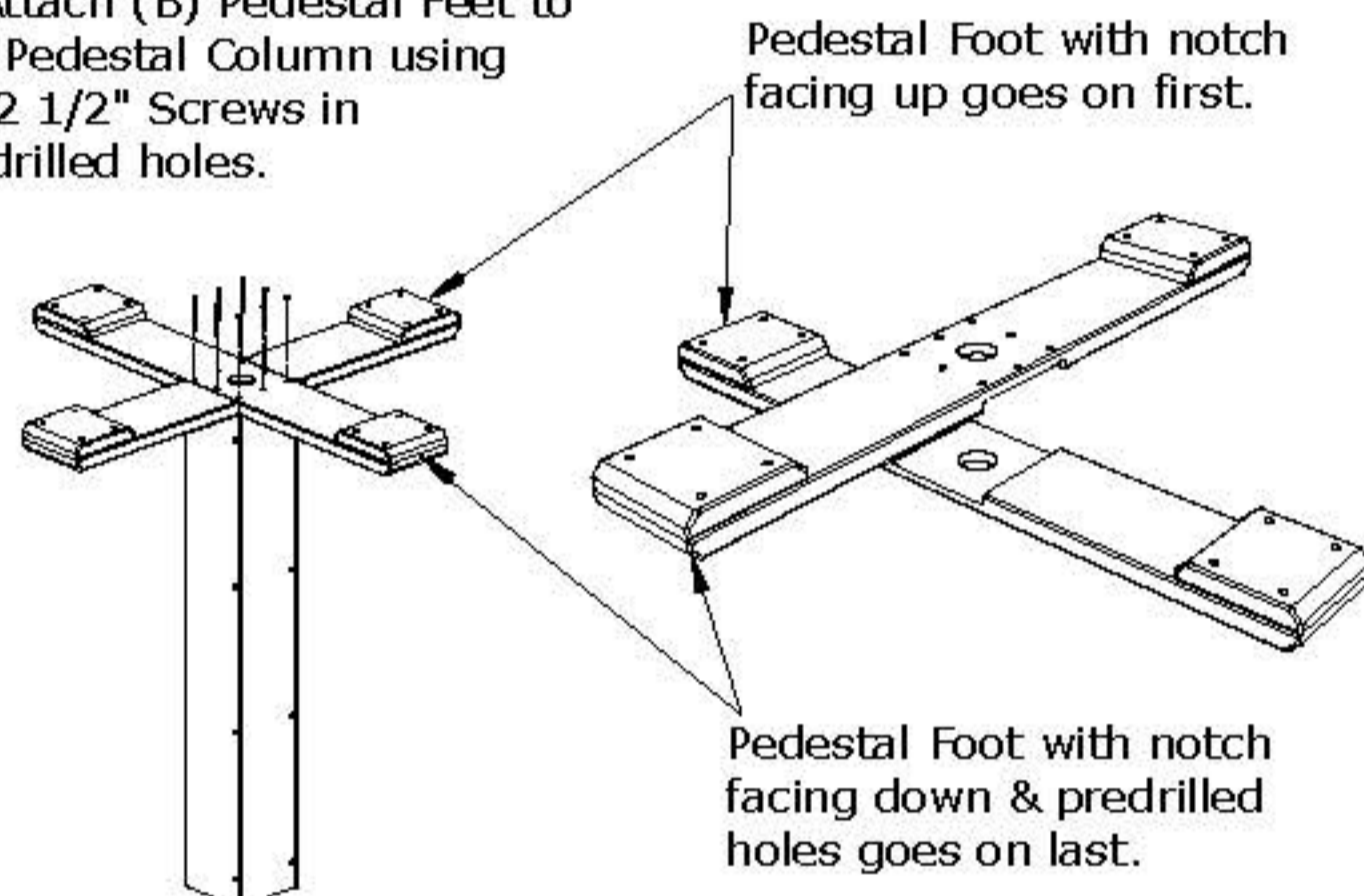


Hardware

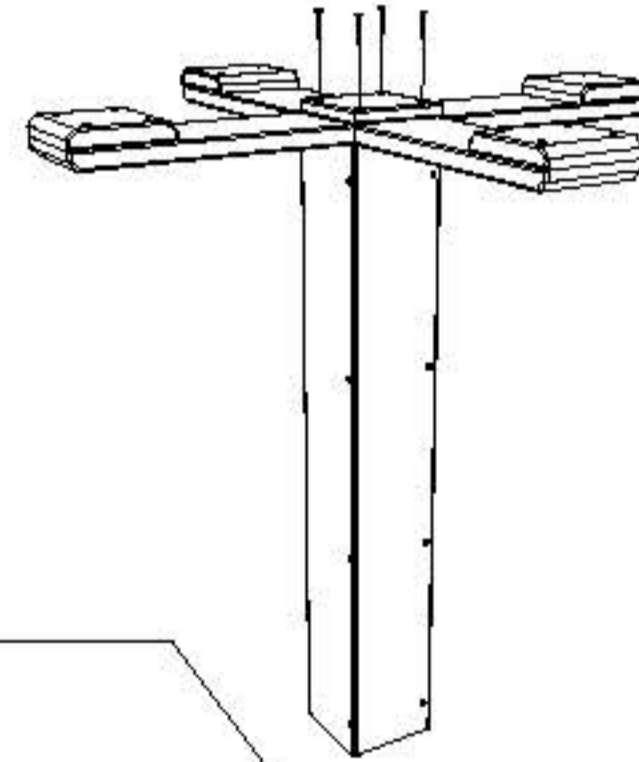
- 16 - 2 1/2" Screws
- 16 - 2" Screws
- 100 - 1 1/2" Screws



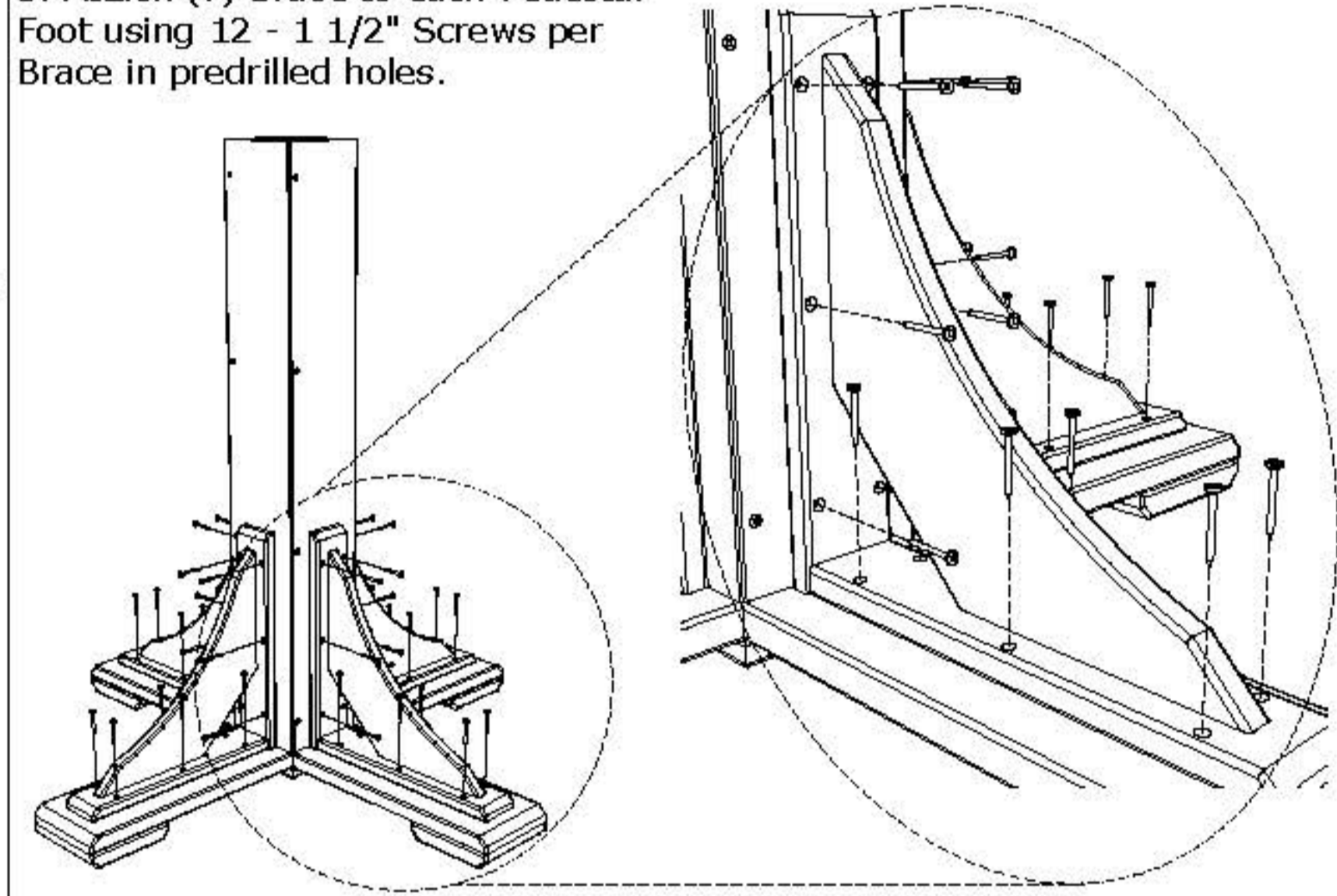
1. Attach (B) Pedestal Feet to (G) Pedestal Column using 8 - 2 1/2" Screws in predrilled holes.



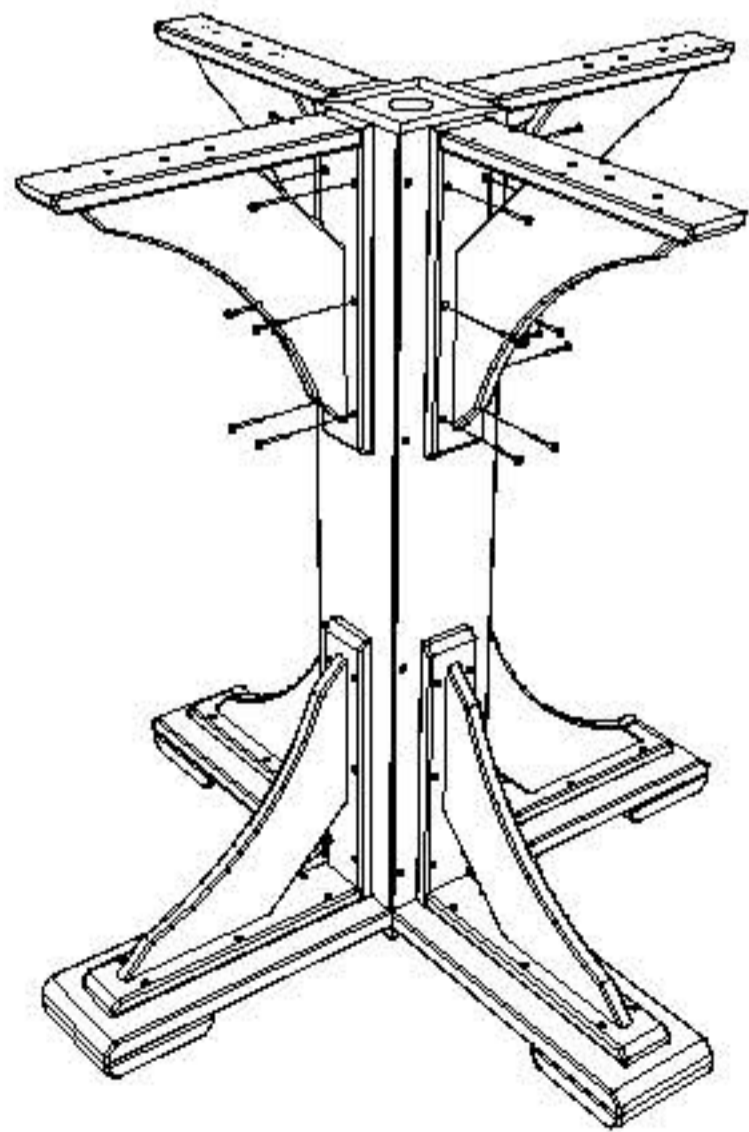
2. Align (D) Pedestal Block in center of Pedestal Feet. Attach (D) Pedestal Block using 4 - 1 1/2" Screws.



3. Attach (F) Brace to each Pedestal Foot using 12 - 1 1/2" Screws per Brace in predrilled holes.



4. Attach (F) Brace to top of Column using 6 - 1 1/2" Screws per Brace, Be sure to center Brace on Column & keep top side flush with Column.



4' Round or 41" Square Poly Table Assembly
Instructions

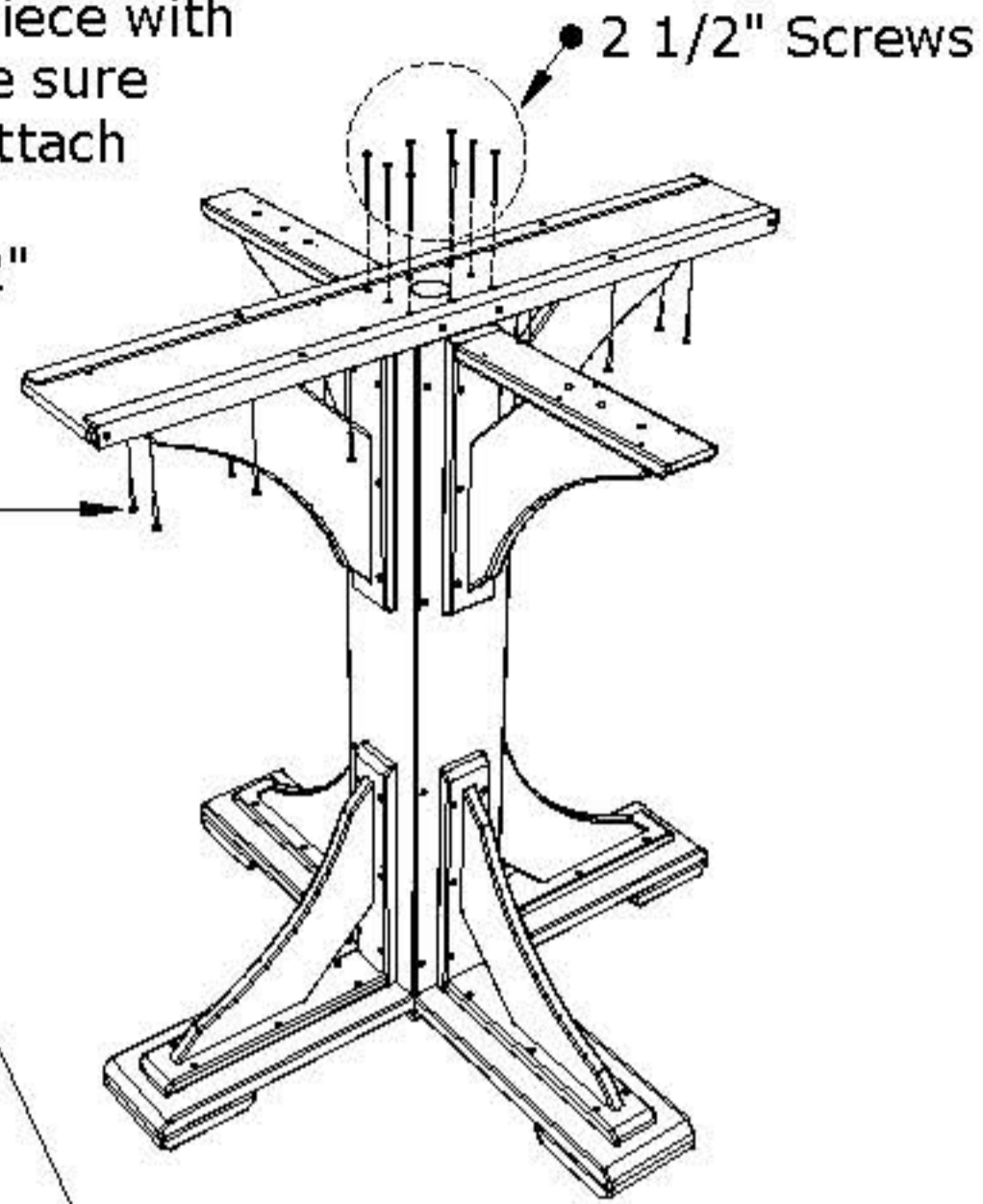
10/18/ 2017

R.M.

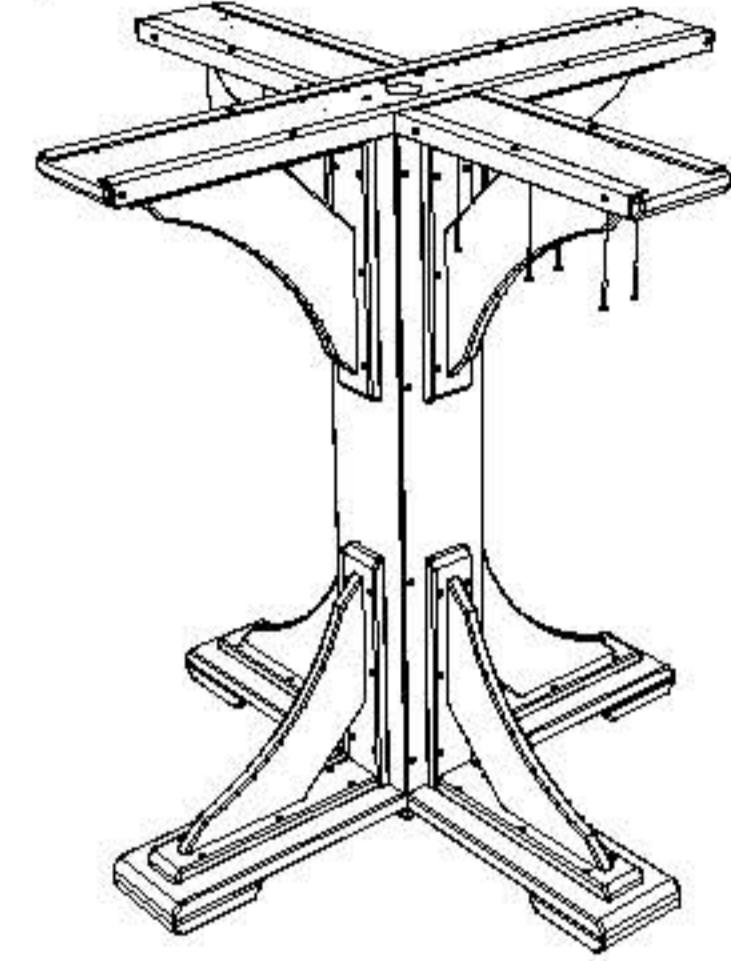


5. Align (C) Top Long Cross Piece with Pedestal Column & Braces, be sure umbrella holes are aligned, Attach using 8 - 2 1/2" Screws for Pedestal Column & 12 - 1 1/2" Screws for Braces

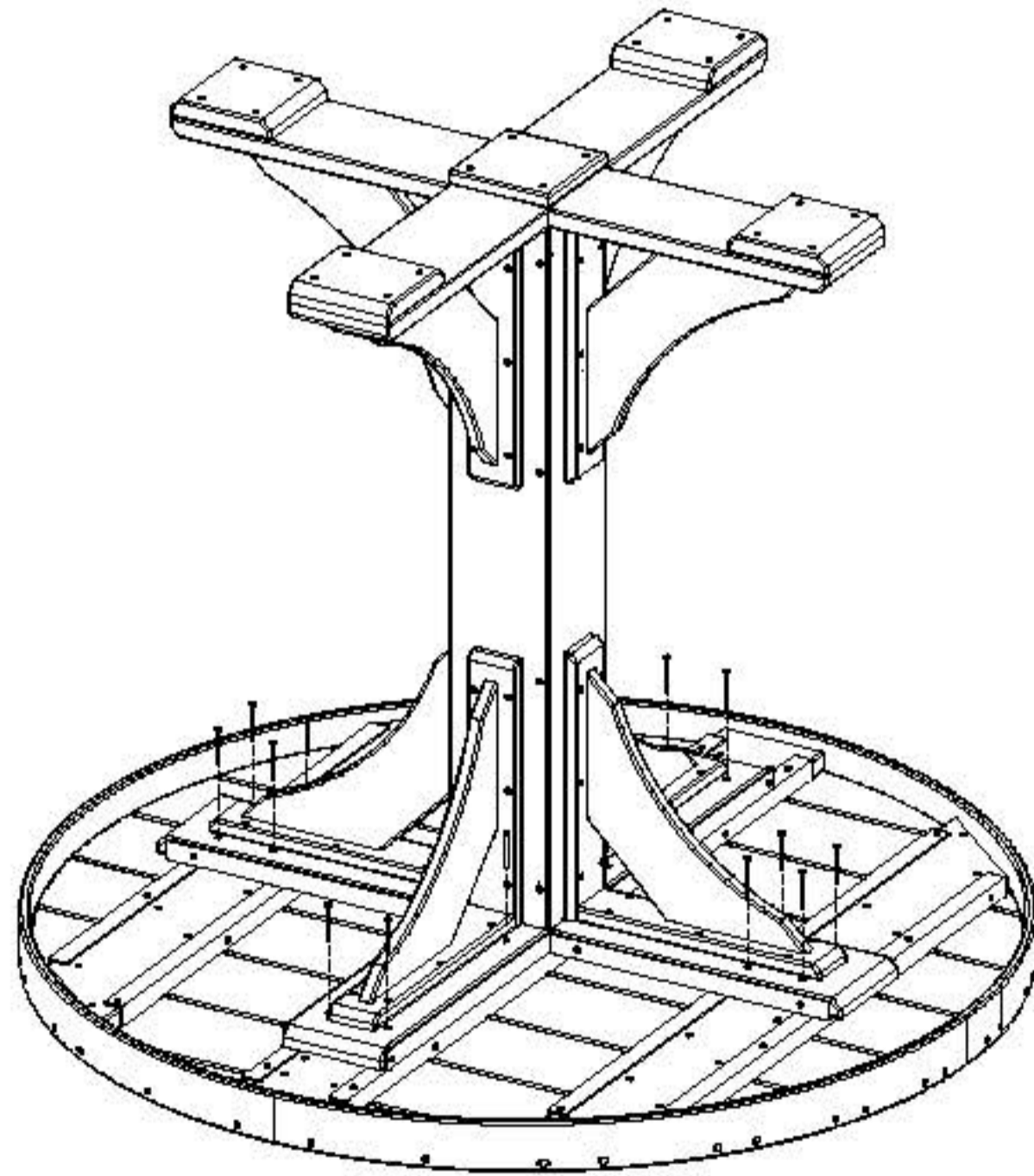
1 1/2" Screws



6. Align (E) Top Short Crosspieces with Braces keeping back end flush with (C) Top Long Crosspiece Attach using 12 - 1 1/2" Screws. Make sure that Aluminum is on top side.



7. Lay (A) Top on a soft blanket to prevent scratches, Position base so all Numbers & or Letters match. Attach (A) Top using 16 - 2" Screws in predrilled holes.



4' Round or 41" Square Poly Table Assembly
Instructions

10/18/ 2017

R.M.