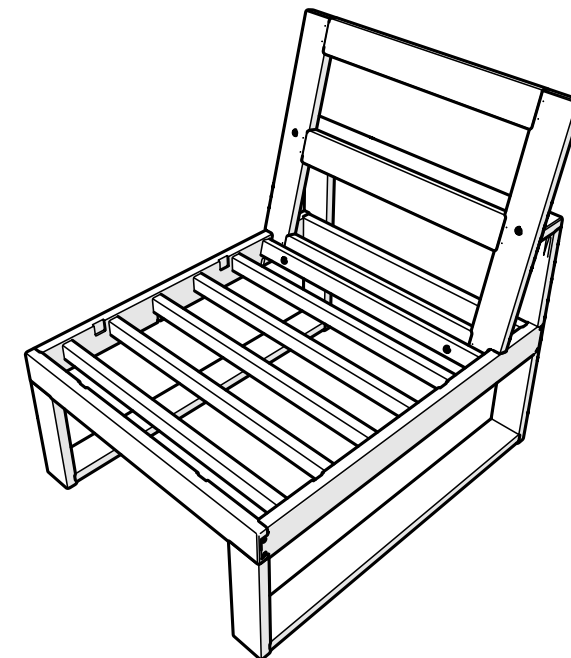


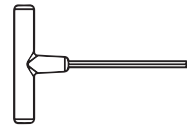
# EDGE Modular Armless Chair

Assembly Instructions



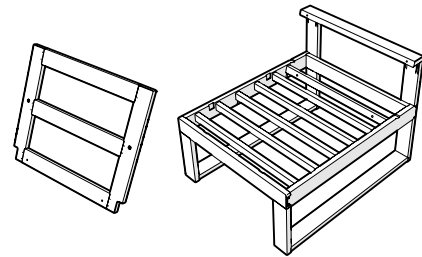
**4601CX**

# TOOLS



4mm T-handle  
hex key (included)

# PARTS



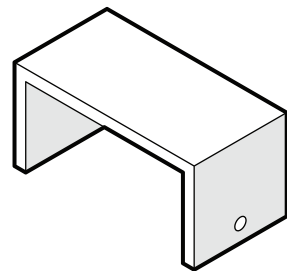
4601C-L-R-X  
BACK

4601CX  
ARMLESS  
BASE

**A** x4



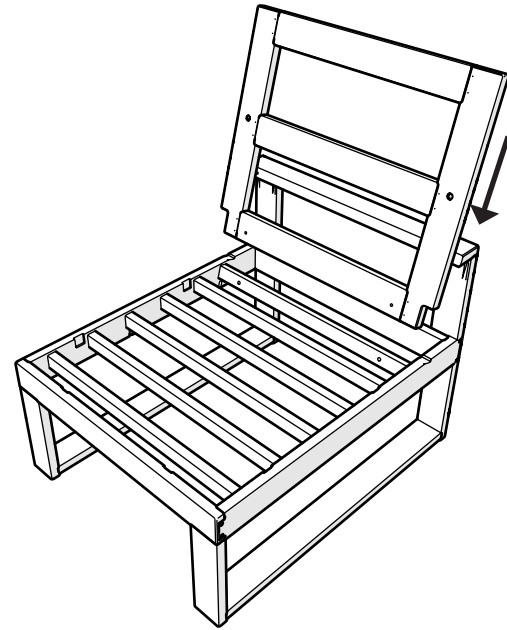
1.75" Screw — H.27X1.75



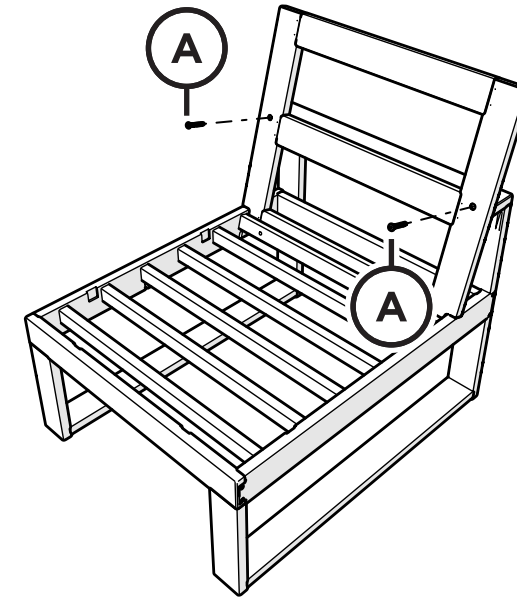
**x2**

Bracket — P13275-XX

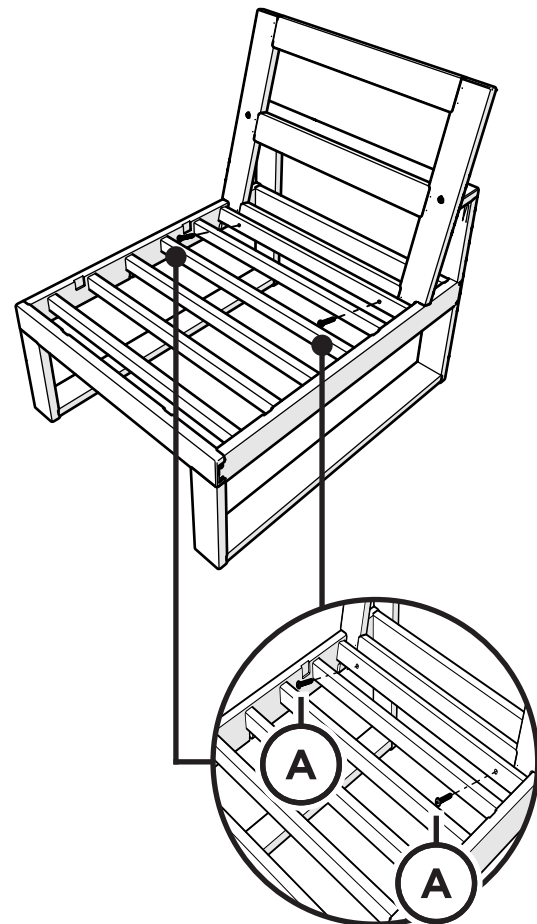
**1**



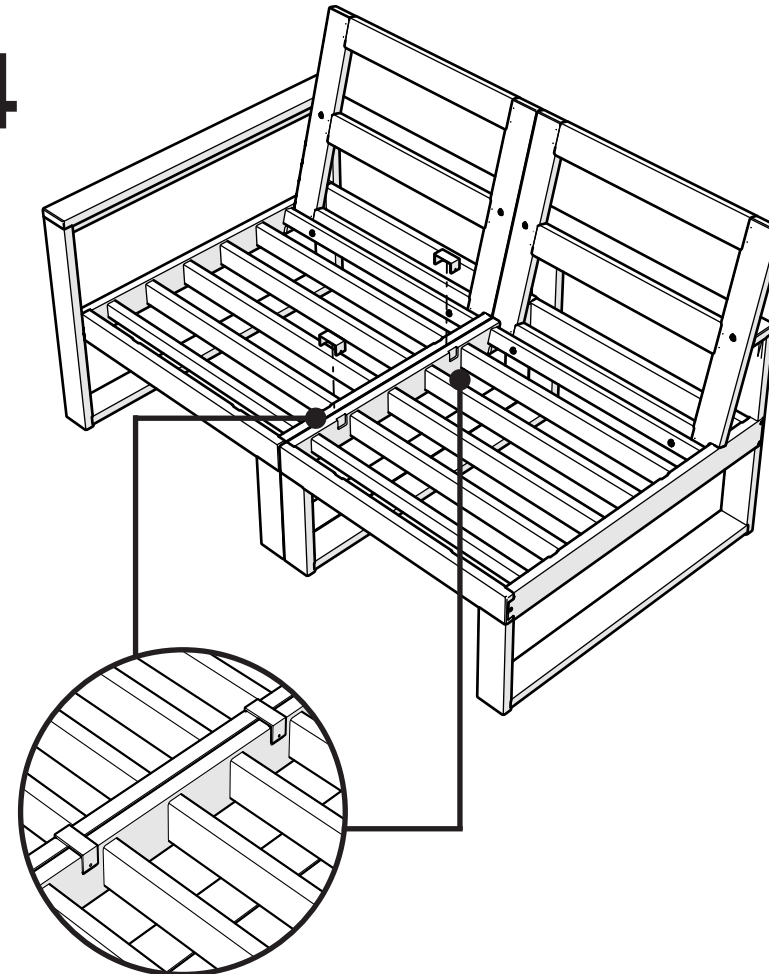
**2**



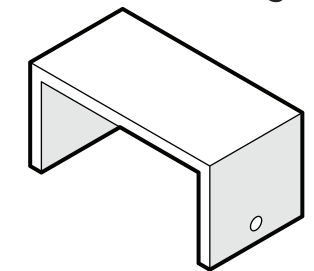
**3**



**4**



Brackets can be used to connect  
furniture together



**x2**

Bracket — P13275-XX