



POWER GRIP

DISC CLUTCHES AND BRAKES

ALIGNMENT INSTRUCTIONS

FOR 8" THRU 60"

WPT Power Corporation
1600 Fisher Road - Wichita Falls, TX 76305
P.O. Box 8148 - Wichita Falls, TX 76307
Ph. 940-761-1971 Fax 940-761-1989
www.WPTpower.com



CLUTCH ALIGNMENT INSTRUCTIONS - POWER GRIP UNITS

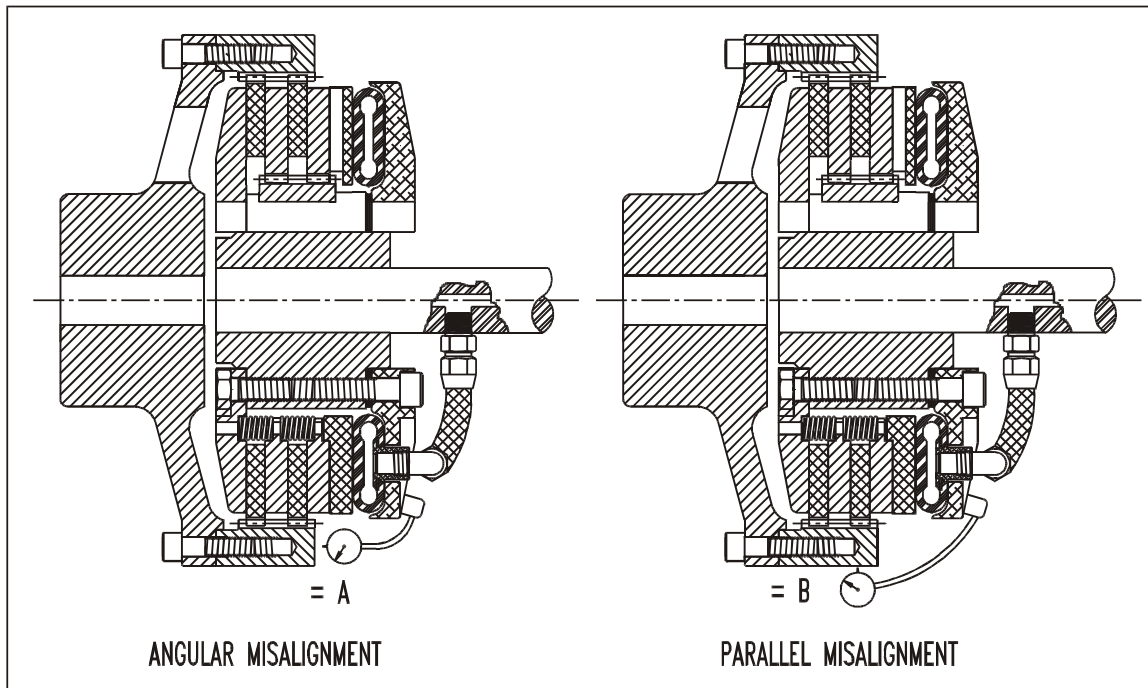
Check to see if both clutch/brake elements run square and true by indicating to the frame of machine.

If bearing clearance will not position shaft axially, then some method of positioning the shaft will be necessary during alignment.

Dial indicator to be located as shown in drawing below. The readings should not exceed limitations set in table below.

The readings under A and B are maximum deviations advisable for a normal running of the clutch/brake unit with no excessive wear on friction materials and no additional load on parts or machine |

Consult general arrangement drawing of machine for initial cold offset setting of shafts to compensate for thermal expansion of gear case under running conditions.



| SIZE | A = T.I.R. | | B = T.I.R. | |
|------|-------------|--------|-------------|--------|
| | MILLIMETERS | INCHES | MILLIMETERS | INCHES |
| 8 | 0.10 | 0.004 | 0.10 | 0.004 |
| 11 | 0.15 | 0.006 | 0.15 | 0.006 |
| 14 | 0.18 | 0.007 | 0.18 | 0.007 |
| 16 | 0.20 | 0.008 | 0.20 | 0.008 |
| 18 | 0.23 | 0.009 | 0.23 | 0.009 |
| 21 | 0.28 | 0.011 | 0.28 | 0.011 |
| 24 | 0.30 | 0.012 | 0.30 | 0.012 |
| 24H | 0.30 | 0.012 | 0.30 | 0.012 |
| 27 | 0.36 | 0.014 | 0.36 | 0.014 |
| 30 | 0.38 | 0.015 | 0.38 | 0.015 |
| 30H | 0.38 | 0.015 | 0.38 | 0.015 |
| 36 | 0.46 | 0.018 | 0.46 | 0.018 |
| 42 | 0.53 | 0.021 | 0.53 | 0.021 |
| 48 | 0.61 | 0.024 | 0.61 | 0.024 |
| 60 | 0.76 | 0.030 | 0.76 | 0.030 |