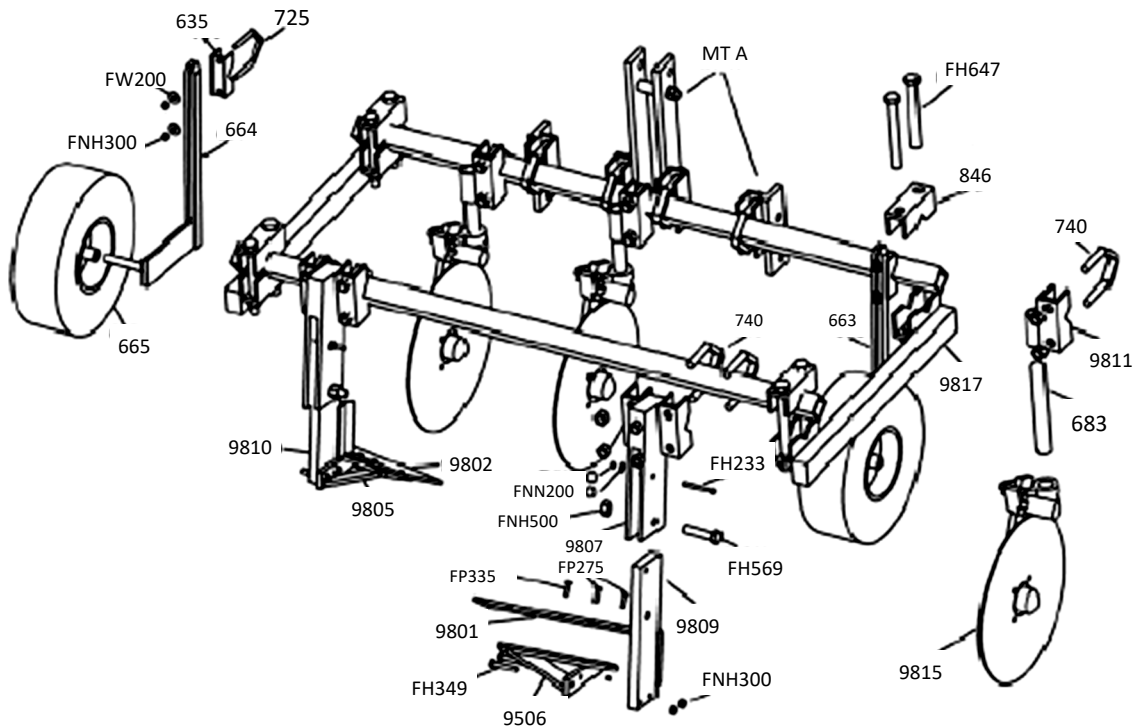


Model 98 Mulch Lifter



635 Small toolbar clamp
 663 Right guage wheel bracket
 664 Left guage wheel bracket
 665 Guage wheel
 683 Shank for Coultter
 725 1/2" U-bolt for diamond bar
 740 7/8" U-bolt for diamond bar
 846 Large toolbar clamp
 9801 Left undercutting knife
 9802 Right undercutting knife
 9805 Right angled knife bracket
 9806 Left angled knife bracket
 9807 Upper knife bracket
 9809 Left lower knife bracket

9810 Right lower knife bracket
 9811 Bracket for mounting coultter
 9815 Spring loaded coultter
 9817 Frame side
 FH233 3/8x4" Hex head bolt
 FH349 1/2x3-1/4" Hex head bolt
 FH569 7/8x 4" Hex head bolt
 FH647 1x9" Hex head bolt
 FNH300 1/2" Finished hex nut
 FNH500 7/8" Finished hex nut
 FNN200 3/8" Nylock nut
 FP275 7/16x1-1/2" Plow bolt
 FP335 1/2x1-1/2" Plow bolt
 FW200 3/8" U.S.S. flat washer

Mechanical Transplanter Company

1150 Central Avenue

Holland, Michigan 49423

Phone: (616) 396-8738 * Fax: (616) 396-3619

www.mechanicaltransplanter.com * mtcparts@egl.net