

Mechanical Transplanter Co.



INSTRUCTION MANUAL Model 85

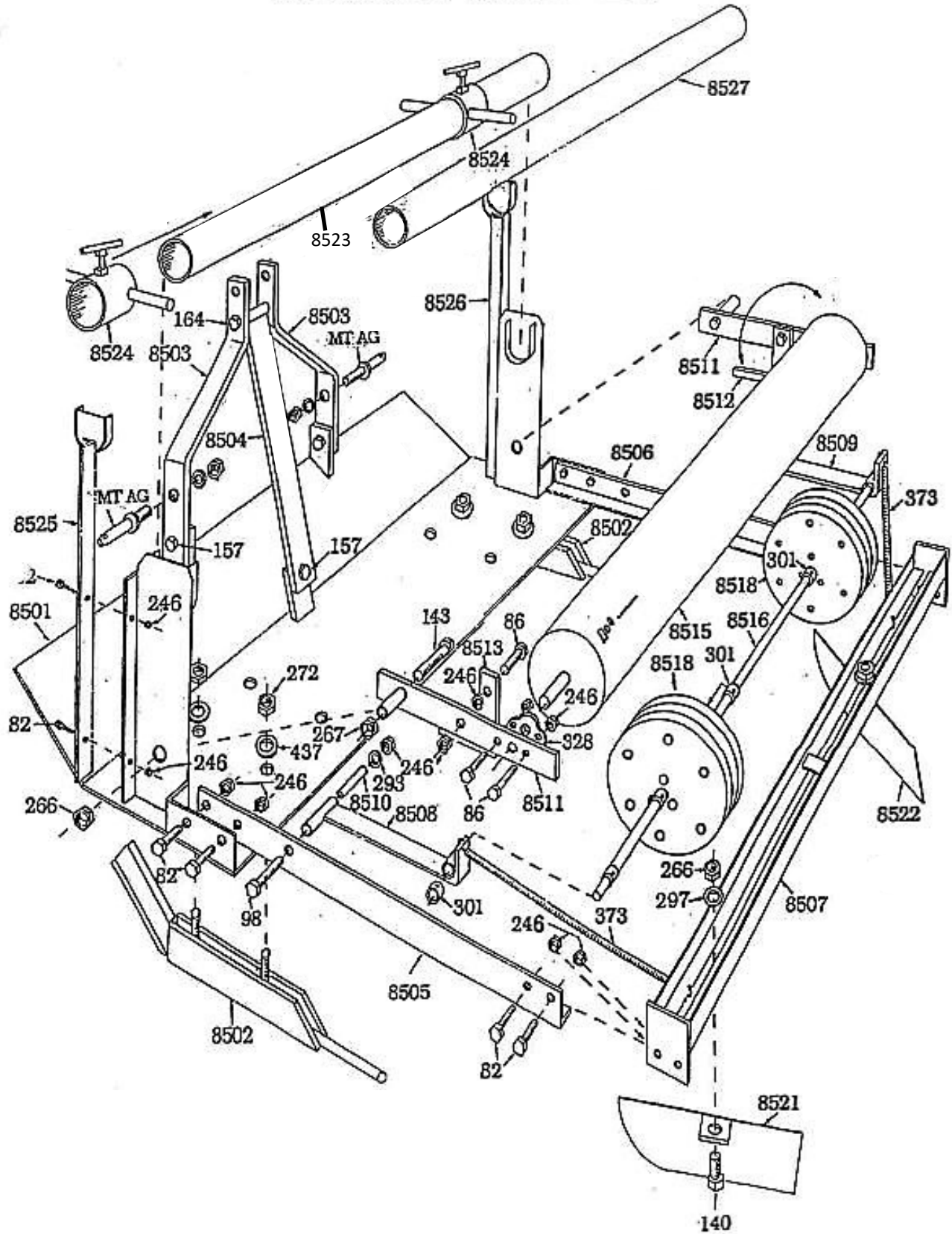


Mechanical Transplanter Co.

1150 Central Ave - Holland, MI 49423 * Phone 616-396-8738 * Fax 616-396-3619

Website: www.mechanicaltransplanter.com

Model 85 Mulch Layer



Bolts & Parts in Bag**Parts in Bundles**

Part#	Description	Qty	Part#	Description	Qty
82	3/8 x 1 HHCS	12	8501	Skid Plate	1
86	3/8 x 1-1/4 HHCS	6	8502	Runners	2
98	3/8 x 3-1/2 HHCS	2	8503/8504	3 Point Hitch Pcs	3
140	5/8 x 1-1/4 HHCS	2	8505/8506	Side Arm	2
143	5/8 x 4 HHCS	2	8507	Back Cross Bar	1
157	3/4 x 1-1/2 HHCS	3	8508/8509	Wheel Arms	2
164	3/4 x 4 HHCS	1	8511	Roller Arms	2
246	3/8 Hex Nut	22	8512/8513	Lift Arms	2
266	5/8 Hex Nut	4	8515	Large Roller	1
267	5/8 Jam Nuts	2	8516	Axle	1
272	3/4 Hex Nuts	9	8518	Wheels	4
293	3/8 Washer	2	8521/8522	Covering Blades	2
297	5/8 Washer	2	8523	Roller Holder	1
301	5/8 Set Collars	8	8524	Roll stops	2
328	3/4 Flange Bearings	2			
373	Springs	2	*Optional		
437	3/4 Washers	6	8525/8526	Extra Roll Holder Arms	2
8510	Pipe Spacers	2	8527	Pipe for Extra Roll	1
MT AG	Hitch Pins	2			

1. Take the skid plate (8501) and tip it up to bolt the runners (8502) onto it using washers (437) and nuts (272). The inside holes are for 3' plastic. The outside holes are for 4' plastic. Place the runners accordingly.
2. Fasten the 3 Pt Hitch parts (8503/8504) onto the skid plate. Use bolt (164) at the top and bolts (157) on the bottom three holes with nuts (272) on all bolts. Bolt hitch pins (MTAG) on the 3 Pt Hitch.
3. Bolt side arms (8505) onto skid plate and back cross bar (8507) using bolts (82) and nuts (246).
4. Bolt the bearings (328) to roller arm (8511) using bolts (86) and nuts (246) Put roller lift arms (8512/8513) onto roller arm (8511) using bolts (86) and nuts (246) Tighten the 2 nuts against the bar so the lift arm can still turn freely. Insert the roller (8515) ends into the bearing and tighten set screws on bearings.
5. Fasten the roller arm to the upright on the slid plate using bolt (143) and nut (267) inside, and nut (266) outside. Tighten the 2 nuts against the plate so the roller arm can freely pivot.
6. Take the stretch wheel axle (8516) and on each side of the axle slide one collar (301) one wheel (8518) one 3/4 washer (437) another wheel (8518) and then another collar (301)
7. Slide another collar (301) on each end of wheel axle (8516) then slide the stretch wheel arms (8508/8509) over the ends of the axle. Secure these arms on end of axle by using one collar (301) on each side of the arm. Insert the spacer (8510) into front of arm (8508/8509) and fasten to side arm using bolts (98) , washers (293) and nuts (246). Hook the springs (373) between this arm and the back cross bar (8507). Align the wheels with the runners and tighten set collars.
8. Bolt the rear covering blades (8521/8522) into the back cross bar slot using bolts (140), washers (297) and nuts (266).
9. Slip the roll stop (8524) onto the roll holder (8523), put your roll of plastic on. Then slip the other roll stop into place and tighten.

OPTIONAL EXTRA ROLL HOLDER:

1. Fasten arms (8525/8526) to uprights on skid using bolts (82) and nuts (246).
2. Place extra roll on pipe (8527) and lay between uprights.

OPERATING INSTRUCTIONS:

1. To start plastic, turn the roller lift arms (8512/8513) down to raise the large roll off the ground. Now feed the plastic off the bottom of the roll of plastic and under the large red roller. Then feed the plastic under the stretch wheels. Now lower the large red roller down and drive forward to start the plastic.
2. Run the mulch paver level and adjust the rear covering blades, in , out, or angle them more less to cover the plastic as desired.
3. By lengthening the third arm on your tractor you can pitch the mulch layer back to allow the covering blades to dig in more and raise the front to plow less dirt.
4. Be sure to readjust the runners and wheels when switching from 3' to 4' plastic.

Safety Precautions

1. Make sure tractor is stopped and in neutral with the transplanter lowered to the ground before getting on /off the unit.
2. No operator is allowed to be on the unit as it is raised and lowered.
3. No operator is allowed on the transplanter as it is transported to or from the field.
4. All operators must be seated before movement begins and remain seated until the transplanter is completely stopped.
5. Never leave the transplanter in the raised position
6. Keep all shields and guards in place when operating the transplanter.
7. Never attempt repairs or maintenance while the transplanter is in motion.
8. Never put the tractor in reverse while the transplanter is on the ground.
9. Follow all safety instructions supplied by the tractor manufacturer to which the transplanter is mounted.

MACHINE IMPROVEMENTS

MECHANICAL TRANSPLANTER CO. IS ALWAYS STRIVING TO MAKE IMPROVEMENTS ON THEIR LINE OF EQUIPMENT. MECHANICAL TRANSPLANTERCO. RESERVES THE RIGHT TO MAKE IMPORVEMENTS AND CHANGES AT ANY TIME WITHOUT INCURRING OBLIGATIONS TO MAKE SUCH CHANGES OR ADDTIONS TO EQUIPMENT PREVIOUSLY SOLD.

Limited Warranty

Mechanical Transplanter Company, LLC warrants each item of new equipment manufactured by Mechanical to be free from defects in material and workmanship under normal use and service.

The obligation of Mechanical Transplanter Company, LLC under this LIMITED WARRENTY is limited to repairing or replacing as Mechanical may elect, any parts that prove, in Mechanical's judgement, to be defective in material and workmanship within the first season's use of 45 consecutive days after initially placing equipment in operation, whichever occurs first. Any outside work or alterations without Mechanical's written approval will render the LIMITED WARRANTY void.

Mechanical's obligation specifically excludes any liability for consequential damages, such as loss of profits, delays, expenses, damage to goods or property used in connection with or processed in or by the product sold, or damage to the product sold from whatsoever cause, whether or not such loss is due to negligence of selling dealer of Mechanical Transplanter Company, LLC.

This limited warranty shall not apply to any item or machine which shall have been operated in a manner not recommended by the Company nor which shall have been repaired, altered, misused, damaged in an accident, neglected, tampered with or used in any way which in the Company's opinion adversely affects its performance and results.

No person is authorized to give any other warranties or to assume any other liability on behalf of Mechanical Transplanter Company, LLC unless made in writing by Mechanical Transplanter Company, LLC.

This limited warranty covers repair or replacement of Mechanical's equipment only and does not cover crop loss, downtime, labor, damage to other equipment, etc.

This limited warranty does not apply to exterior finishes, tires, chain links, bearings, or any other items sold by Mechanical Transplanter Company, LLC, but warranted by the original manufacturer except to the extent of their individual manufacturer's warranty.

THIS LIMITED WARRANTY IS IN LIEU OF ALL OTHER WARRANTIES, EXPRESSED OR IMPLIED. WARRANTIES OF MERCHANT ABILITY AND FITNESS FOR PARTICULAR PURPOSE ARE EXCLUDED, AS ARE ALL OTHER REPRESENTATIONS TO THE USER-PURCHASER, AND ALL OTHER OBLIGATIONS OR LIABILITIES, INCLUDING LIABILTY FOR INCIDENTAL AND CONSEQUENTIAL DAMAGES, ON THE PART OF MECHANICAL OR THE SELLER.