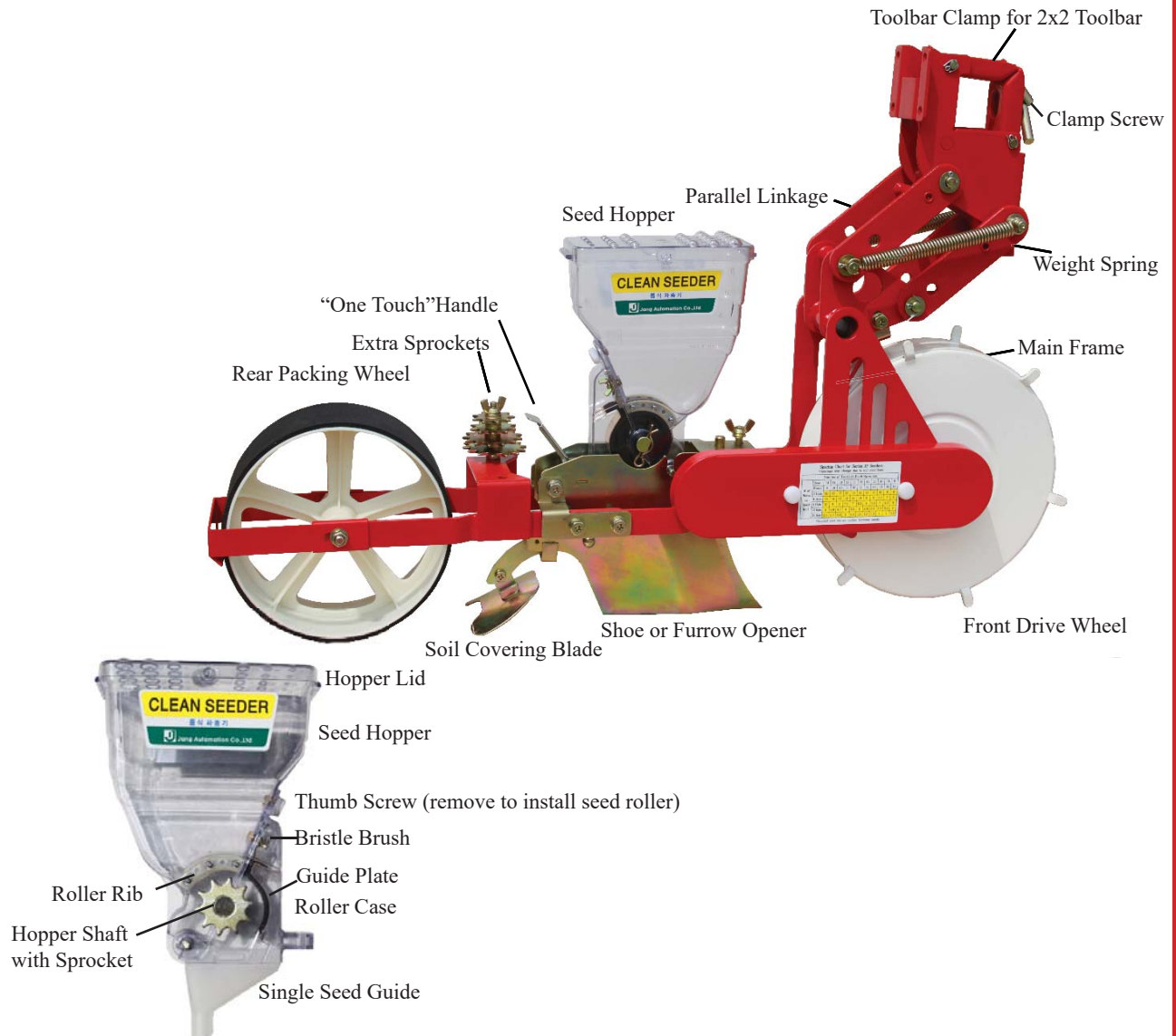


# CLEAN SEEDER OPERATION MANUAL

## MODEL JPH

Please read this manual carefully before operating the seeder



distributed by: MECHANICAL TRANSPLANTER CO.  
1150 Central Avenue \* Holland, Michigan 49423  
Phone: 616-396-8738 \* Fax: 616-396-3619

# ASSEMBLY & OPERATING INSTRUCTIONS

1. Check contents of boxes for any damage occurring during shipping.
2. To mount unit to the toolbar, loosen and remove the clamp screw, place the unit squarely on the toolbar at the desired location, replace and tighten the clamp screw.

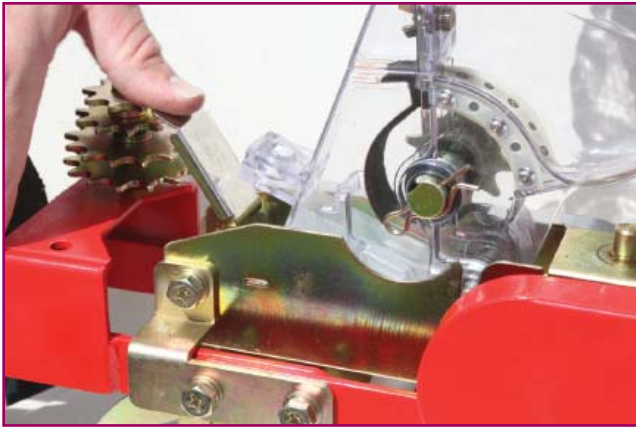


Fig A

3. To remove the hopper from the seeder frame, simply push down on the “one touch” lever on the back side of the hopper. Lift the hopper up and out with your other hand. (Fig A)

4. The seed rollers are easy to install after removing the hopper. Loosen the white thumb screw and pull down on the roller case. Next remove the clip from the sprocket shaft and pull the sprocket shaft out. Slide your roller in the slot. Slip the sprocket shaft through the roller and re-install the clip pin. (Fig B)

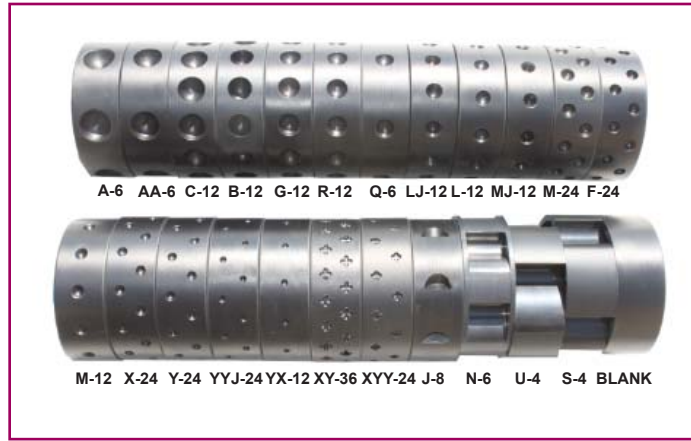


Fig B



Fig B1

Adjust the brush so it lightly touches the seed roller to knock off extra seeds. Don't put it too tight as this will cause unnecessary wear. Swing the roller case back up and tighten thumb screw again. (Fig B1)



### Selecting Seed Rollers

- Seeds should be flush with the top of the roller. If they are not flush, the seed could get knocked out by the brush, crack, or cause undue friction on the seed guide plate. It will also wear the guide plate quicker.
- For seeds that may be too big for any seed roller, such as larger corn, pea, or bean seeds remove the seed guide plate. (Fig B-2) When using the spreading shoes remove the seed guide plate. This will allow the seeds to fall more freely and also allow multiple seed to drop.
- Our seed list (Shown on last page) with the recommended roller letters helps to select rollers, however seeds can vary in size from one variety to another. In that case you may have to use a bigger or smaller roller. If your seed isn't on our list you can send us a sample and we will find a roller. We can custom make rollers by drilling deeper or large holes.

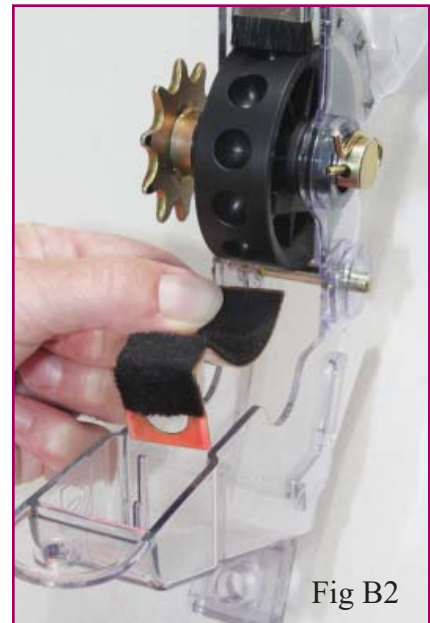


Fig B2

Spacing Chart for Series JP Seeders (inch)												
* Subject to change upon speed of equipment or quality of soil												
Number of Teeth in Each Sprocket												
Rear Sprocket		14	14	13	13	11	11	10	11	10	10	9
Front Sprocket		9	10	10	11	10	11	11	13	13	14	14
# of Holes in Seed Roll	3 Hole	20	18	16	15	14	12	11	11	9	9	8
	4 Hole	14	13	12	11	10	9	9	8	7	7	6
	6 Hole	10	9	8	7	7	6	5	5	5	4	4
	12 Hole	5	4	4	3	3	3	2	2	2	2	1
	24 Hole	2.5	2	2	1.5	1.5	1.5	1	1	1	1	0.5

## Setting Spacing



Fig C



Fig D

8. Spacing is done two ways. First by the number of holes in the seed roller. Second, by using a combination of 6 sprockets that come with the seeder. (Chart is in this manual or on the side of seeder)
9. First, remove the chain guard that is by the front drive wheel, by loosening the two thumb screws. Look at the spacing chart on the chain guard. The top two lines are your sprocket sizes. The numbers on the side are the roller holes available. The shaded area is the spacings available by re-arranging the various sprockets. The sprocket just slides off. Use the metal chain tightener when using the smaller sprockets. (Fig C)
10. With the larger sprockets the chain tightener is not needed. Run the chain straight as in Fig D. If there is too much slack, run chain over stud for thumb screw, but without the chain tightener. Be sure to store chain tightener in safe place when not using. (Fig D)

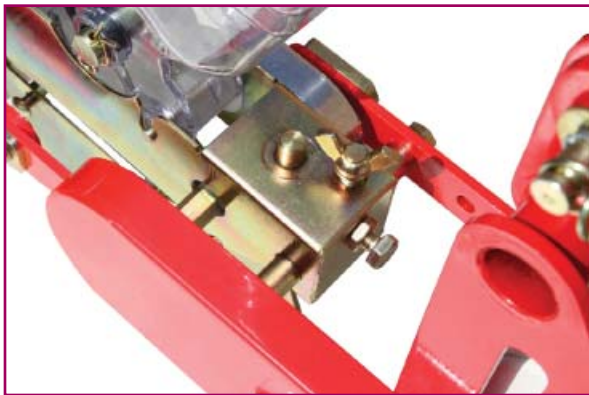


Fig E



Fig F

11. For shoe depth adjustment, loosen nut and then loosen bolt just ahead of hopper. Move shoe up or down and retighten bolt, then tighten nut against frame to lock shoe in place.(Fig E) The soil covering blade can be adjusted for more or less pressure by loosening the screw and resetting. (Fig F)

## Setting Row Spacing

12. Row spacing can be adjusted by loosening the winged bolt on the hopper block and sliding them to the desired row widths. (Fig E)

## Optional Shoes

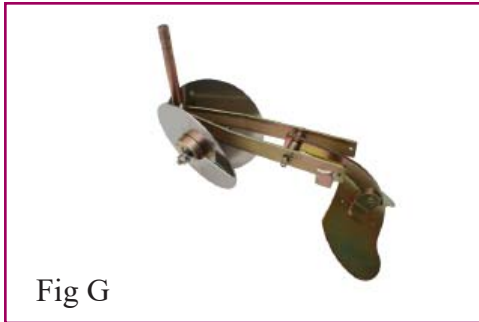


Fig G

### TP-1000D

Double Disc Opener  
Used for trashy soil conditions

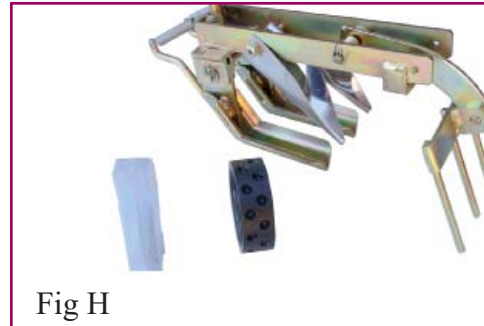


Fig H

### JPDS

Double Shoe  
One row, two lines of seed at 2"

13. The optional double shoe comes with a double shoe guide which has a splitter in the middle. By using the 24 or 36 hole rollers you can have two rows of seeds 2" apart. (Fig H)



Fig I

**JSS5 - 4.72in**  
Spreading Shoe

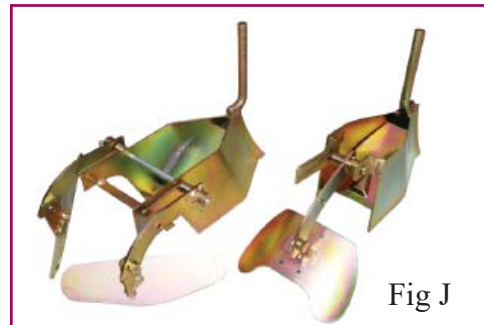


Fig J

**JSS3 - 2.95in**      **JSS2 - 2.36in**  
Spreading Shoe

14. Three spreading shoes are available. 2.36", 2.95", and 4.72" wide. By using a 24 or 36" hole rollers or paddle rollers like the N, U or S many seeds can be spread over a wide area. Used for greens and other crops where a dense amount of seed is needed.

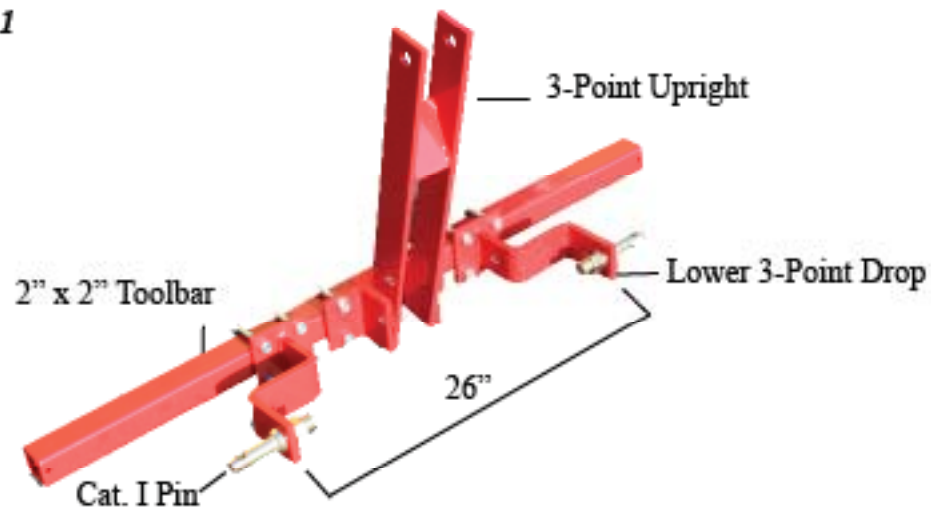
## General Tips

- \* Work soil so ground is loose and level. Roto-tilling is best.
- \* Optimal speed is about 1.5 MPH - Actual seed spacing may vary depending on soil condition and operating speed.
- \* Check seed rollers for waste or residue build up
- \* Clean roller
- \* Check seed depth
- \* Check for correct seed spacing in field when starting to seed. Seed should be dry.
- \* Lubricate chain and other moving parts (not the roller)
- \* Check brush and guide plate for wear. Larger seeds like corn or beans may bridge in hopper. Watch for it and tap hopper to keep seeds flowing.

# HJPH 3-POINT HITCH ASSEMBLY

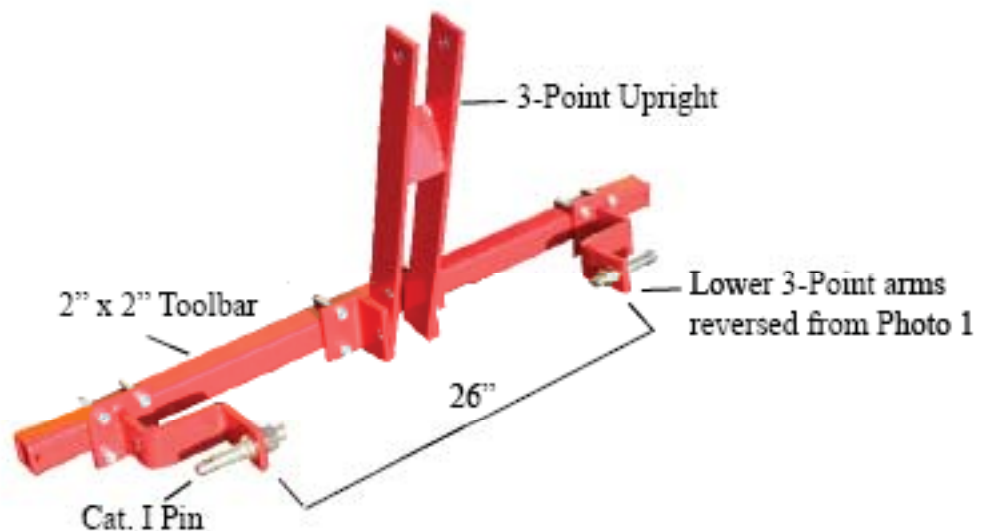
1. Mark center of toolbar. Fasten the center 3-point upright to the 2x2 toolbar using two FUB1222 1/2" U-bolts, and four 1/2" hex nuts.
2. Use four FUB 1222 1.2" U-bolts and four nuts and on each of the lower 3-point drops. DO NOT TIGHTEN!

*Photo 1*



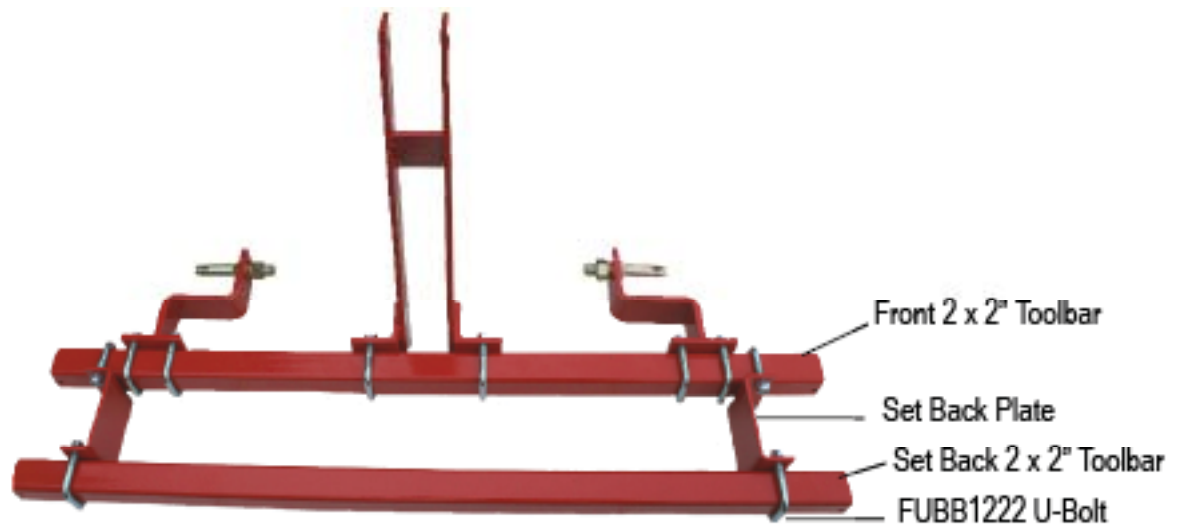
3. Measure 13" each way off center of toolbar to the outside of bracket. Then tighten brackets down for a total distance of 26" apart.
4. Insert CAT I pins into drop arm and secure with hex nuts and lock washers.

*Photo 2*

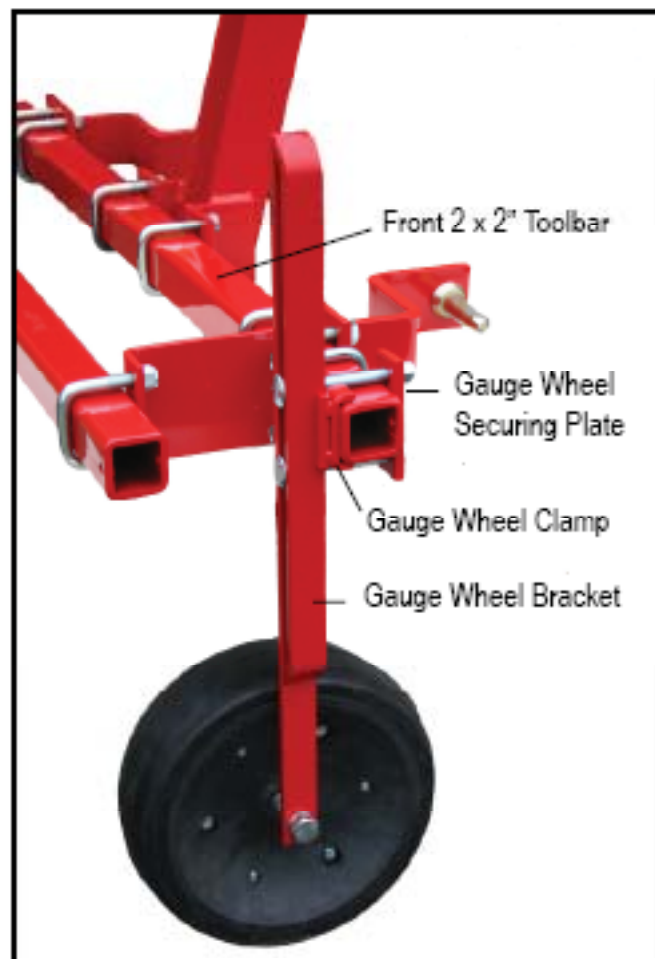


5. Depending on your row spacing, the lower drops can be reversed so as not to interfere with the unit clamps. (Photo 2)

## JGW Set Back Toolbar and Gauge Wheel Assembly



1. After the 3-Point Hitch is assembled to the front 2 x 2" toolbar, fasten the two set back plates to the front toolbar using two FUB1222 U-bolts. These plates can be mounted with lock nuts anywhere on the toolbar to miss the unit clamps. If mounting on the end of the toolbar as shown, be sure to leave enough room on the end for the gauge wheel brackets.
2. Bolt the set back toolbar to the back side of the set back plates. Use two more U-bolts.



3. Bolt the gauge wheel brackets to the front toolbar using two 1/2 x 5" carriage bolts, a clamp, securing plate, and 1/2" lock nuts. Make sure the gauge wheels or tractor tires do not run where a seeder unit needs to plant so that it does not compact the soil ahead of the seeder.

## Available Seed Rollers

A - 6	\$21	R-24	\$26
AA - 6	\$21	S-4	\$31
BL-12	\$31	U-4	\$31
C-6	\$21	X-4	\$21
C-12	\$21	X-6	\$21
F-6	\$21	X-12	\$21
F-12	\$21	X-24	\$26
F-24	\$26	XY-4	\$31
G-6	\$26	XY-12	\$31
G-12	\$21	XY-24	\$31
J-2	\$21	XY-36	\$41
J-4	\$21	XYY-12	\$31
J-8	\$21	XYY-24	\$31
L-12	\$21	XYY-36	\$41
L-24	\$26	Y-4	\$21
LJ-6	\$21	Y-6	\$21
LJ-12	\$21	Y-12	\$21
LJ-24	\$26	Y-24	\$26
M-6	\$21	YX-4	\$21
M-12	\$21	YX-6	\$21
MJ-4	\$21	YX-12	\$21
MJ-6	\$21	YX-24	\$26
MJ-12	\$21	YYJ-6	\$21
MJ-24	\$26	YYJ-12	\$21
MM-12	\$21	YYJ-24	\$26
MM-24	\$26	YYX-12	\$21
N-6	\$31	YYX-24	\$26
Q-6	\$21	YYX-36	\$31
Q-12	\$21	Z-Blank	\$21
R-12	\$21	Custom	\$41

Roller	Hole Size		Hole Depth
	mm	Inches	
A	13.5	17/32	6.0
AA	12	15/32	6.0
B	10	25/64	7.5
C	11	16-Jul	5.5
R	9	23/64	3.5
G	9	23/64	4.5
Q	8	5/16	3.0
LJ	7.5	19/64	3.7
LJ	7	17/64	2.5
MM	6	15/61	2.5
MJ	6	15/64	3.5
M	5	13/64	2.0
F	5	13/64	2.5
X	4	5/32	2.0
Y	3.5	9/64	1.5
YYJ	3	1/8	1.7
YX	2.5	7/64	1.5

Seed Name or a Seed of Comparable Size:	Recommended Roller
Arugula	YX
Basil	YYJ
Bean-Green	N
Beet	LJ
Broccoli	Y
Cabbage	Y
Carrot	Y
Carrot (coated)	MJ
Cauliflower	Y
Cilantro	MJ
Chia	YYJ
Collard	Y
Corn	A, AA, N
Cotton	C
Cucumber	J
Cut Flower	Send Samples
Flax	LJ
Kale	X
Lettuce ( Coated)	MJ
Lettuce (Raw)	XY
Mache	F
Mustard	YYJ
Okra	LJ
Onion ( Coated)	MJ
Onion (Raw)	X
Pea	BL
Pepper	MJ
Radish	X
Rutabaga	Y
Sorghum	MJ
Sorghum (Coated)	LJ
Soy	BL
Spinach	F
Sunflower	Send Samples
Swiss Chard	LJ
Tree Seed	Send Samples
Turnip	YYJ
Blank Roller	Z