



# Mechanical Transplanter Company

## Parts Book for Model 95

434	7/8 oilite bearing	9525	Left pocket wire former
926	Sealed bearing for rollers	9526	Pocket arm
942	Control pocket sprocket	9527	Pocket cam
1919	1-1/4" Oilite bearing	9528	Left wire control bracket
1925	Chain tightener sprocket	9529	Right wire control bracket
1971	1980 & 95 mounting bracket plate	9530	Right wire stop
5113	Hex flange block bearing	9531	Left wire stop
8429	L-shaped seat & footrest bracket	9532	Right pocket complete
9003	Shank for coultter disc	9533	Left pocket complete
9005	Side arm	9534	Pocket support bracket
9006	Rear brace mounting bracket	9562	Footrest
9007	2-1/2" collar w/set screw	9563	Seat and footrest mounting bracket
9028	Cross bar	9564	Right frame side
9034	ML-8 1/2" U-bolt	9565	Left frame side
9042	Spring for plastic brake	9569	Right inner frame
9065	Tire with rim	9570	Left inner frame
9078	Dirt shield main arm	9579	Left shank mounting bracket
9083	Clamp for side arms	9580	Right shank mounting bracket
9301	Tire for Model 93 (5.9x15)	9582	Lift chains
9302	4 spoke rim	9590	Fork to brace assembly
9306	Rear wheel mounting bracket	9591	Fork assembly
9312	Axle for 90AD press wheel	9592	Rear disc holder
9502	Left wire holder	9593	Chain holder
9503	Right wire holder	9595	Cone to side arm clamp
9504	Wire holder guards	9596	Seat and footrest mounting
9506	Drive rod	47000	Right center upright
9507	25 tooth drive sprocket	47001	Left center upright
9508	Main drive chain	47005	Pipe spacer
9509	Drive wheel hub	47006	A-frame lower bracket
9510	Wheel hub	94825	Pipe spacer
9511	Pocket drive chain	386P	Shaft clip pin
9512	Wheel mtg. bracket	9003C	14" Coultter disc with hub
9516	Chain tightener arm	9016L	Tightening lever
9517	Wheel axle	9025N	Metal cone
9518	Sprocket & plate assembly	9594L	Left Cone Holder
9519	Pocket spring	9594R	Right Cone Holder
9520	Pocket spring holder	FMB500	7/8" 14 ga. machinery bushing
9521	Right pocket wire holder	FSC500	7/8" set collar
9522	Left pocket wire holder	FUB5824	5/8" U bolt for 2 X 4
9523	Head Alignment Bracket	OE 77	Cushion seat with bracket
9524	Right pocket wire former		

### Mechanical Transplanter Co.

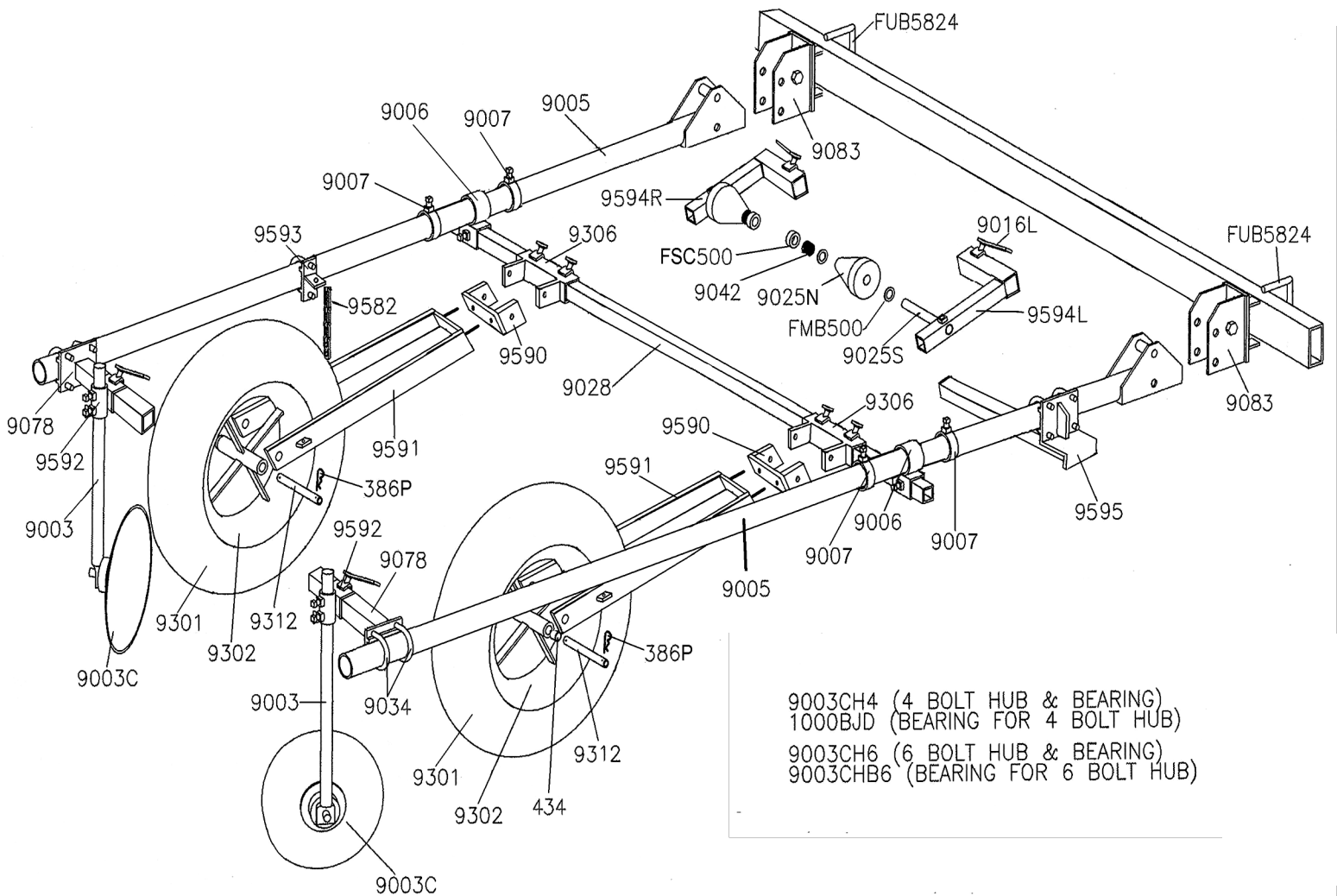
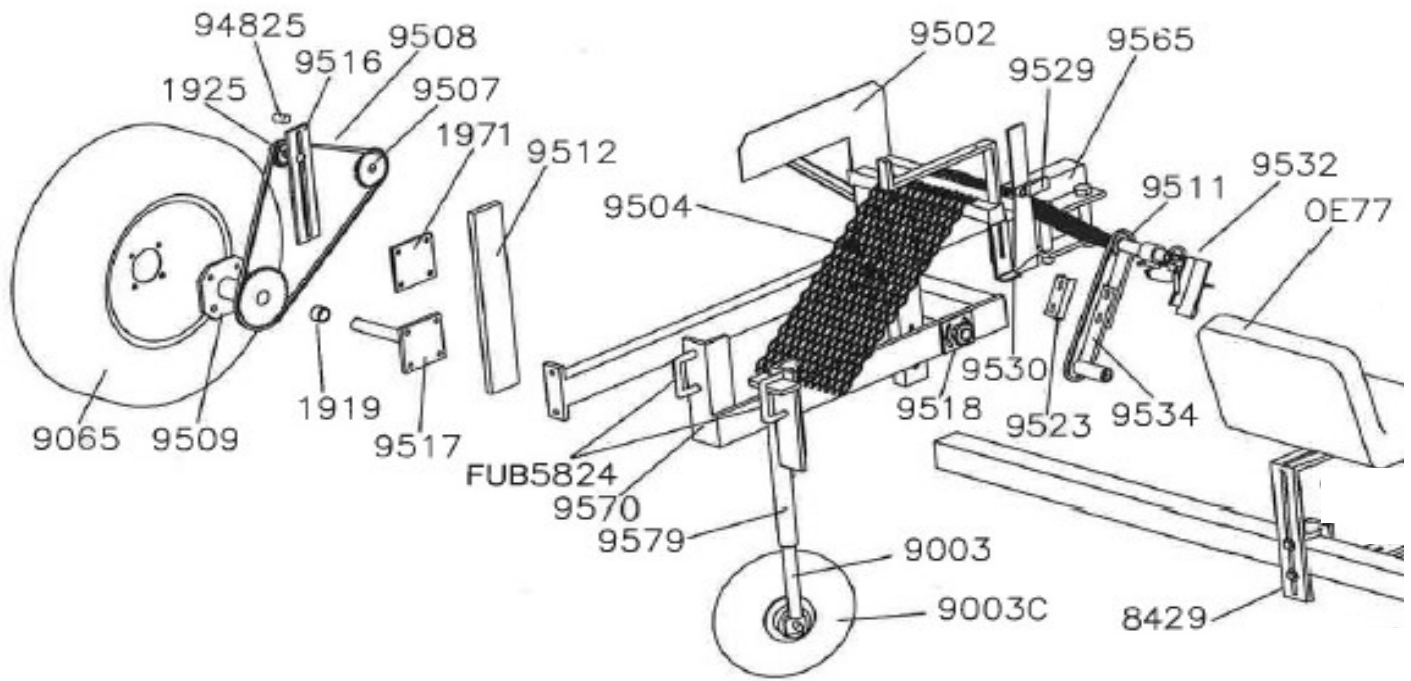
1150 Central Ave Holland, MI 49423

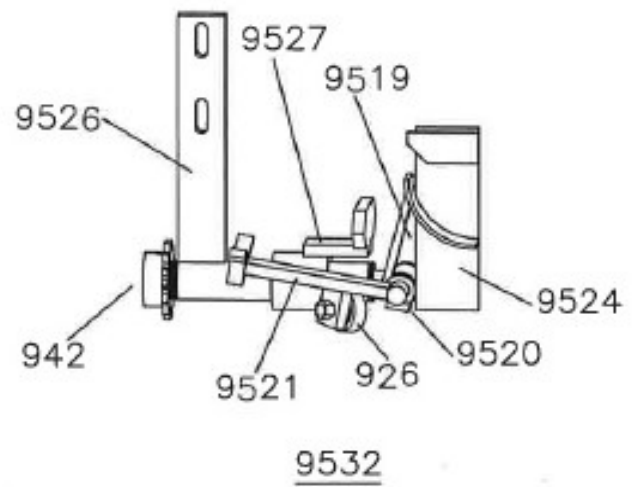
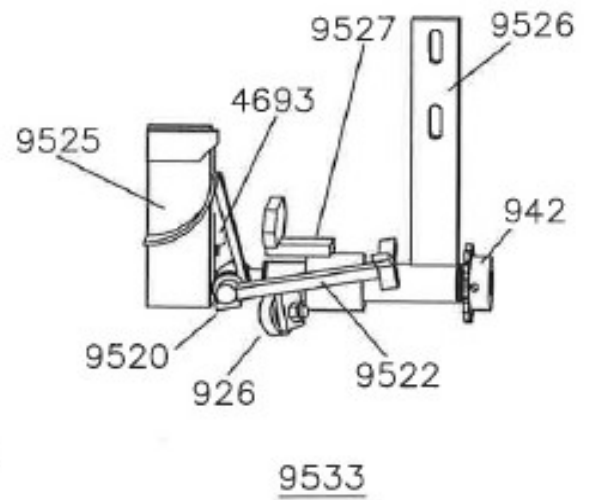
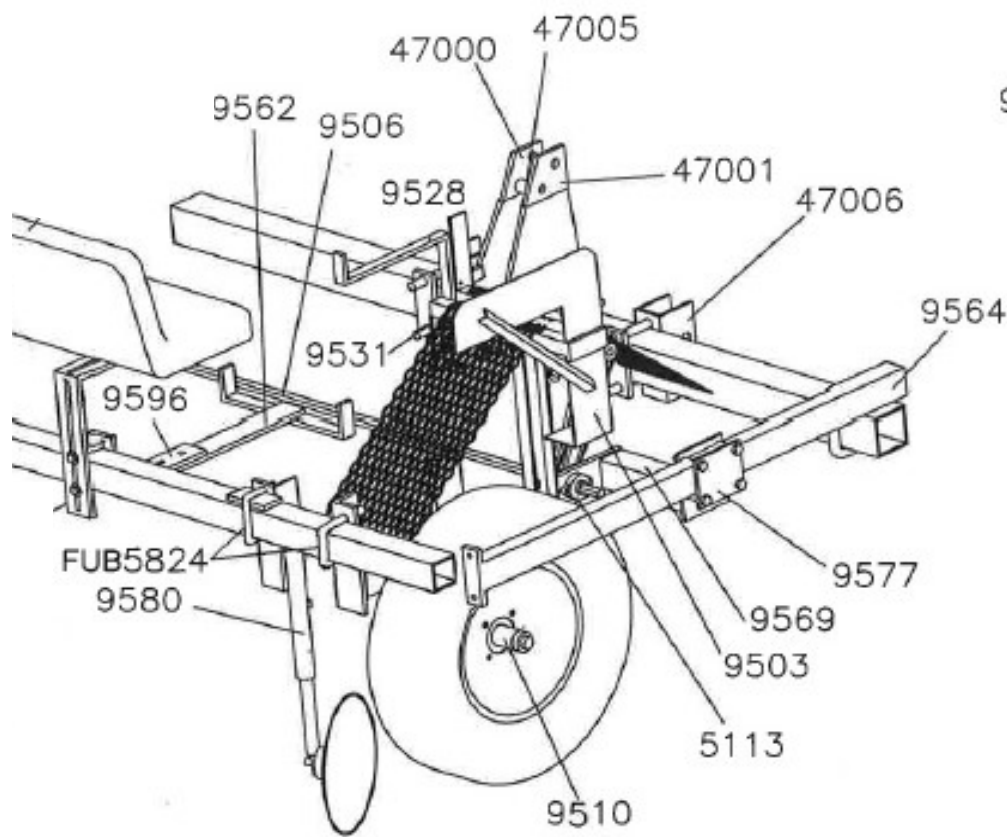
Phone 616-396-8738 ~ Fax 616-396-3619

Website: [www.mechanicaltransplanter.com](http://www.mechanicaltransplanter.com) ~ E-Mail: [mtcparts@egl.net](mailto:mtcparts@egl.net)

Revised Nov.2020

# MODEL 95





## Safety Precautions

1. Make sure tractor is stopped and in neutral with the transplanter lowered to the ground before getting on /off the unit.
2. No operator is allowed to be on the unit as it is raised and lowered.
3. No operator is allowed on the transplanter as it is transported to or from the field.
4. All operators must be seated before movement begins and remain seated until the transplanter is completely stopped.
5. Never leave the transplanter in the raised position
6. Keep all shields and guards in place when operating the transplanter.
7. Never attempt repairs or maintenance while the transplanter is in motion.
8. Never put the tractor in reverse while the transplanter is on the ground.
9. Follow all safety instructions supplied by the tractor manufacturer to which the transplanter is mounted.

### **MACHINE IMPROVEMENTS**

***MECHANICAL TRANSPLANTER CO. IS ALWAYS STRIVING TO MAKE IMPROVEMENTS ON THEIR LINE OF EQUIPMENT. MECHANICAL TRANSPLANTERCO. RESERVES THE RIGHT TO MAKE IMPORVEMENTS AND CHANGES AT ANY TIME WITHOUT INCURRING OBLIGATIONS TO MAKE SUCH CHANGES OR ADDTIONS TO EQUIPMENT PREVIOUSLY SOLD.***

## Limited Warranty

Mechanical Transplanter Company, LLC warrants each item of new equipment manufactured by Mechanical to be free from defects in material and workmanship under normal use and service.

The obligation of Mechanical Transplanter Company, LLC under this LIMITED WARRENTY is limited to repairing or replacing as Mechanical may elect, any parts that prove, in Mechanical's judgement, to be defective in material and workmanship within the first season's use of 45 consecutive days after initially placing equipment in operation, whichever occurs first. Any outside work or alterations without Mechanical's written approval will render the LIMITED WARRANTY void.

Mechanical's obligation specifically excludes any liability for consequential damages, such as loss of profits, delays, expenses, damage to goods or property used in connection with or processed in or by the product sold, or damage to the product sold from whatsoever cause, whether or not such loss is due to negligence of selling dealer of Mechanical Transplanter Company, LLC.

This limited warranty shall not apply to any item or machine which shall have been operated in a manner not recommended by the Company nor which shall have been repaired, altered, misused, damaged in an accident, neglected, tampered with or used in any way which in the Company's opinion adversely affects its performance and results.

No person is authorized to give any other warranties or to assume any other liability on behalf of Mechanical Transplanter Company, LLC unless made in writing by Mechanical Transplanter Company, LLC.

This limited warranty covers repair or replacement of Mechanical's equipment only and does not cover crop loss, downtime, labor, damage to other equipment, etc.

This limited warranty does not apply to exterior finishes, tires, chain links, bearings, or any other items sold by Mechanical Transplanter Company, LLC, but warranted by the original manufacturer except to the extent of their individual manufacturer's warranty.

THIS LIMITED WARRANTY IS IN LIEU OF ALL OTHER WARRANTIES, EXPRESSED OR IMPLIED. WARRANTIES OF MERCHANT ABILITY AND FITNESS FOR PARTICULAR PURPOSE ARE EXCLUDED, AS ARE ALL OTHER REPRESENTATIONS TO THE USER-PURCHASER, AND ALL OTHER OBLIGATIONS OR LIABILITIES, INCLUDING LIABILTY FOR INCIDENTAL AND CONSEQUENTIAL DAMAGES, ON THE PART OF MECHANICAL OR THE SELLER.