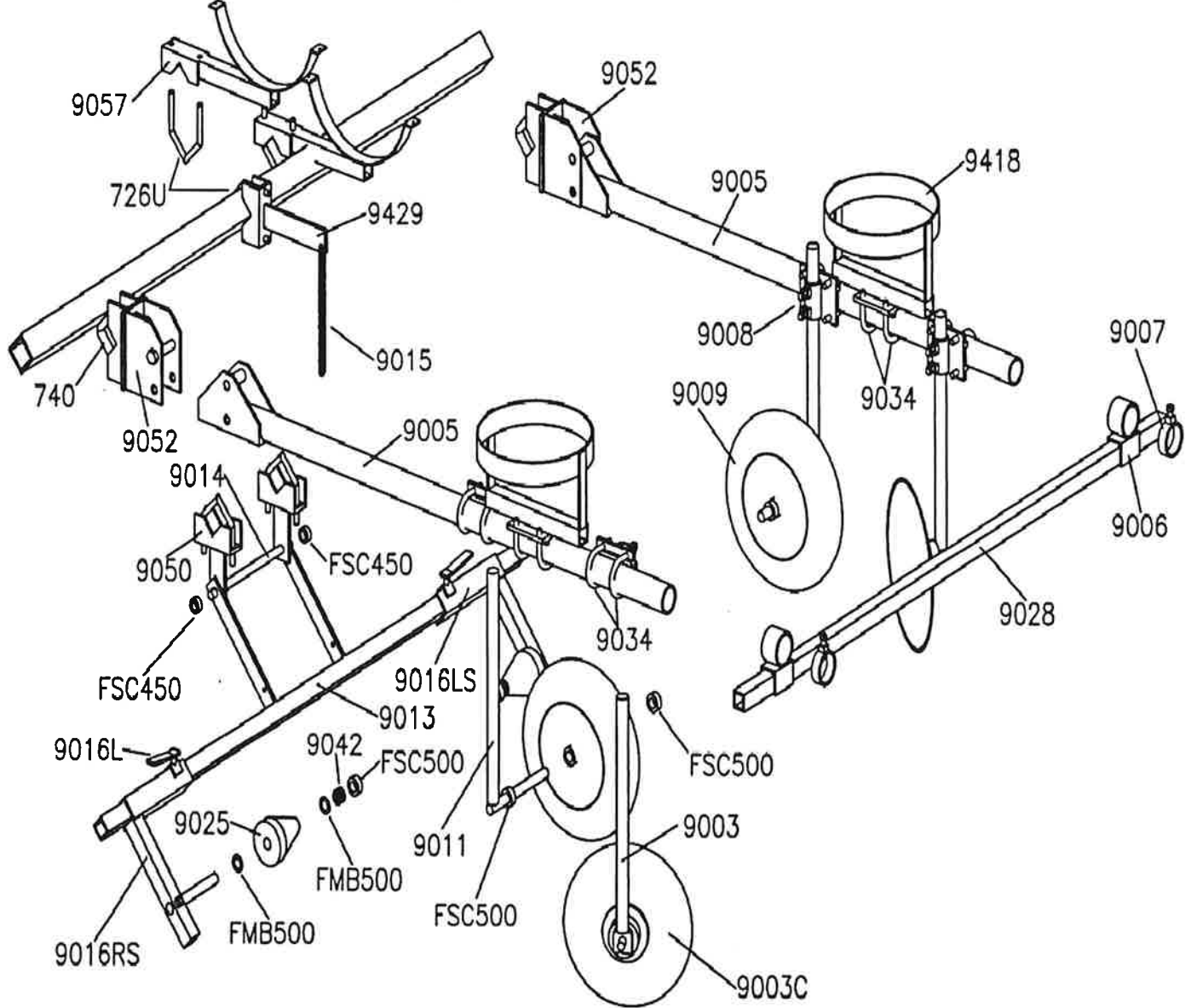
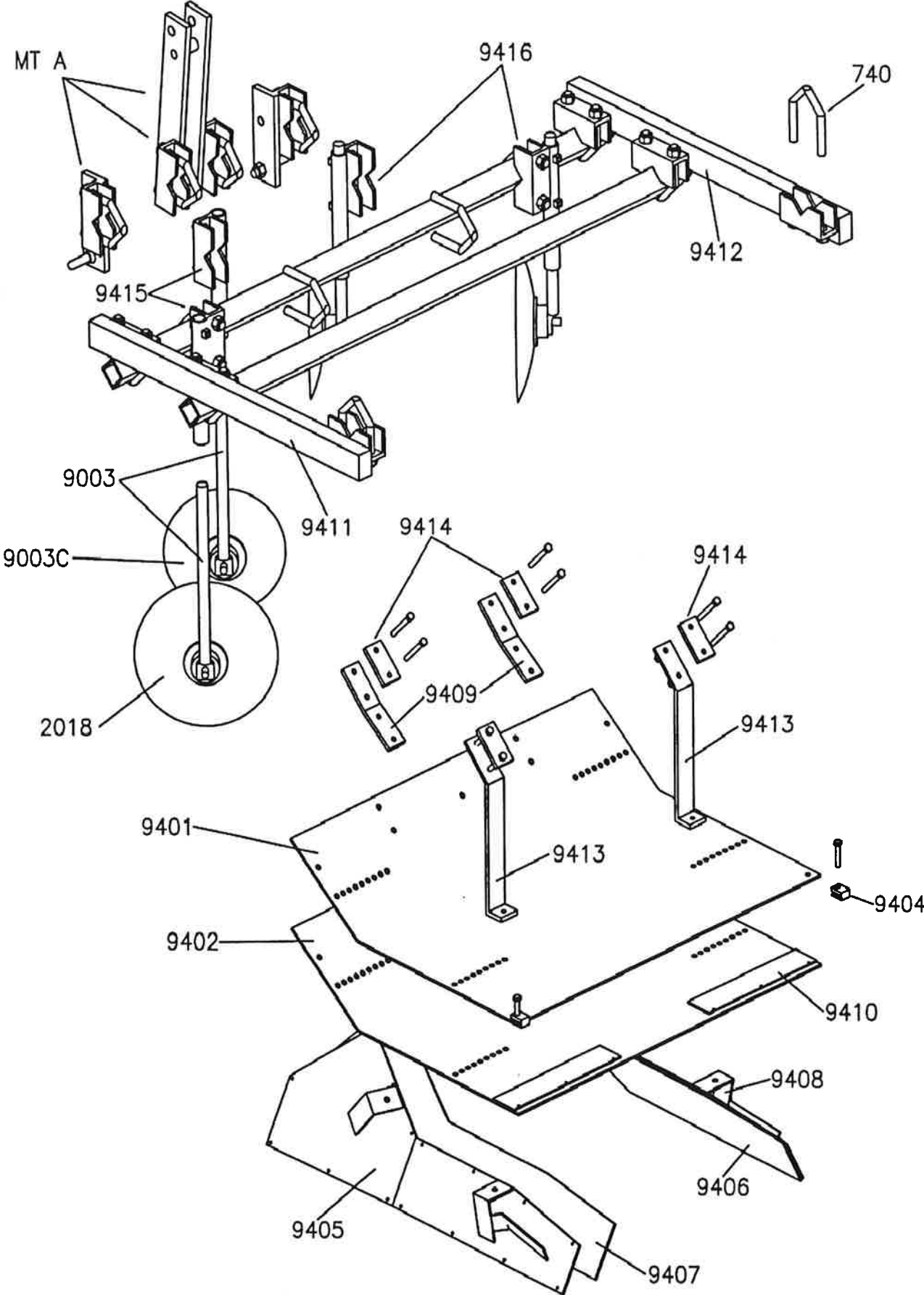


Model 94 Bedshaper



Safety Precautions

1. Make sure tractor is stopped and in neutral with the transplanter lowered to the ground before getting on and off the unit.
2. No operator is allowed to be on the unit as it is raised and lowered.
3. No operator is allowed on the transplanter as it is transported to or from the field.
4. All operators must be seated before movement begins and remain seated until the transplanter is completely stopped.
5. Never leave the transplanter in the raised position.
6. Keep all shields and guards in place when operating the transplanter.
7. Never attempt repairs or maintenance while the transplanter is in motion.
8. Never put the tractor in reverse while the transplanter is on the ground.
9. Follow all safety instructions supplied by the tractor manufacturer to which the transplanter is mounted.

MACHINE IMPROVEMENTS

MECHANICAL TRANSPLANTER CO. IS ALWAYS STRIVING TO MAKE IMPROVEMENTS ON THEIR LINE OF EQUIPMENT. MECHANICAL TRANSPLANTER CO. RESERVES THE RIGHT TO MAKE IMPROVEMENTS AND CHANGES AT ANY TIME WITHOUT INCURRING OBLIGATIONS TO MAKE SUCH CHANGES OR ADDITIONS TO EQUIPMENT PREVIOUSLY SOLD.

Limited Warranty

Mechanical Transplanter Company warrants each item of new equipment manufactured by Mechanical to be free from defects in material and workmanship under normal use and service.

The obligation of Mechanical Transplanter Company under this LIMITED WARRANTY is limited to repairing or replacing as Mechanical may elect, and any parts that prove, in Mechanical's judgment, to be defective in material and workmanship within the first season's use or 45 consecutive days after initially placing equipment in operation, whichever occurs first. Any outside work or alterations without Mechanical's written approval will render the LIMITED WARRANTY void.

Mechanical's obligation specifically excludes any liability for consequential damages, such as loss of profits, delays, expenses, damage to goods or property used in connection with or processed in or by the product sold, or damage to the product sold from whatsoever cause, whether or not such loss is due to negligence of selling dealer of Mechanical Transplanter Company.

This limited warranty shall not apply to any item or machine which shall have been operated in a manner not recommended by the Company nor which shall have been repaired, altered, misused, damaged in an accident, neglected, tampered with or used in any way which in the Company's opinion adversely affects its performance and results.

No person is authorized to give any other warranties or to assume any other liability on behalf of Mechanical Transplanter Company, unless made in writing by Mechanical.

This limited warranty covers repair or replacement of Mechanical Transplanter Co. equipment only and does not cover crop loss, downtime, labor, damage to other equipment, etc.

This limited warranty does not apply to exterior finishes, tires, chain links, bearings, or any other items sold by Mechanical Transplanter Co., but warranted by the original manufacturer except to the extent of their individual manufacturer's warranty.

THIS LIMITED WARRANTY IS IN LIEU OF ALL OTHER WARRANTIES, EXPRESSED OR IMPLIED. WARRANTIES OF MERCHANTABILITY AND FITNESS FOR PARTICULAR PURPOSE ARE EXCLUDED, AS ARE ALL OTHER REPRESENTATIONS TO THE USER-PURCHASER, AND ALL OTHER OBLIGATIONS OR LIABILITIES, INCLUDING LIABILITY FOR INCIDENTAL AND CONSEQUENTIAL DAMAGES, ON THE PART OF MECHANICAL OR THE SELLER.

Model 94 Bedshaper Parts List

| | | | |
|--------|-----------------------------------|--------|----------------------------------|
| 726U | 1/2" U-bolt for toolbar clamp | 9052 | Side arm mtg bracket less u-bolt |
| 740 | 7/8" U-bolt | 9057 | Extra roll holder bracket |
| 2018 | 16" Coultter with hub and bearing | 9401 | Bed shaper main plate |
| 9003 | Shank for Coultter | 9402 | Bed shaper plate liner |
| 9003C | 14" Coultter with hub and bearing | 9404 | Bed top adjustment clip |
| 9005 | Round side arm | 9405 | Right bed shaper wing |
| 9006 | Rear brace mounting bracket | 9406 | Left bed shaper wing liner |
| 9007 | 2-1/2" collar with set screws | 9407 | Right bed shaper wing liner |
| 9008 | Rear disc mounting bracket | 9408 | Left bed shaper wing |
| 9009 | Smooth stretch wheel | 9409 | Front main plate support |
| 9011 | Smooth wheel mounting arm | 9410 | Bed top adjustment plate |
| 9013 | Plastic holding bracket | 9411 | Right side arm |
| 9014 | 3/4" shaft for plastic holder | 9412 | Left side arm |
| 9015 | Unit pickup chain | 9413 | Main plate back support |
| 9016L | Lever for cone bracket | 9414 | Support securing plate |
| 9016LS | Left arm of plastic holder | 9415 | Right disc blade clamp |
| 9016RS | Right arm of plastic holder | 9416 | Left disc blade clamp |
| 9025 | Wooden cone | 9418 | Weight bracket |
| 9028 | Rear toolbar | 9429 | Plastic holder support |
| 9034 | ML-8 1/2" U-bolt | FMB500 | 7/8" Machinery bushing |
| 9042 | Spring for plastic brake | FSC450 | 3/4" Set collar |
| 9050 | Plastic holder mounting bracket | FSC500 | 7/8" Set collar |
| | | MT A | A-frame hitch |

Mechanical Transplanter Company

1150 Central Avenue * Holland, MI 49423

Phone: 616-396-8738 or 800-757-5268 * Fax: 616-396-3619

www.mechanicaltransplanter.com * e-mail: mtc@mechanicaltransplanter.com