

Mechanical Transplanter

Model 912 Parts List

43	Shoulder bushing	94808	Packing wheel swing bracket
373	Chain tightener spring	94810	Packing wheel leg
416	3/4" X 7/8" oilite bearing	94814	3 X 13 -Packing wheel
634U	Cultivator U-bolt	94815	Right scissor hitch mtg for 4x4 bar
637	Fiberglass seat bracket	94816	Left scissor hitch mtg for 4x4 bar
726L	Long L-Shaped seat brace	94819	Center jackshaft-single row
926	Sealed bearing	94820	Bearing plate with bearings
999	Bearing & guide washer complete	94821	Left weight transfer arm
4600-18	Carrousel pipe	94822	Right weight transfer arm
5020	1" flange block bearing	94823	Crank arm (5009C)
5029	Unit chain tightener bracket	94824	Lift chain (10 Links)
5053B	Ski adjustment nut	94825	Pipe spacer
5074	Stainless steel shaft (per foot)	94839	Seat and tray attachment arm
5098HX.	7/8" Hex coupler	94840	Footrest
5112HX	35 tooth hex drive sprocket	94846	Spring Holder Plate
5089	Chain tightener roller (2" long)	94848	Shelving shaft support
5150	Carrousel arm (after 1998)	94849	Shelving tray support
6600-05	Carrousel collar	94852	Timing plate
7490	Spring for fertilizer disc openers	94876	Timing arm
7491	3/8-16 X 2-1/2" eye bolt	94885	Standard pocket
50025	Shelving tray	FFB500W	7/8" wide flange block bearing
91201	912 unit frame	FH443	5/8 X 3-1/2 hex head cap screw
91211	Pocket spool assembly	FH459	5/8 X 4-1/2 hex head cap screw
91218	Control disc	FHN331	1/2 X 1 nylon hex head cap screw
91243	Unit guard	FSC400	5/8" set collar
91247	Unit drive chain - 170P	FUB5844	5/8" U bolt for 4 X 4
91258	40 tooth sprocket with 7/8" finished bore	FUB7844	7/8" U bolt for 4 X 4
94802	Top scissor hitch arm	H805 4x4	Pipe Stand for 4x4 Bar (pair)
94803	Bottom scissor hitch arm	OE74	Fiberglass seat with bracket
94805	Top packing wheel arm	OE77	Cushion seat
94807	Bottom packing wheel arm		

Mechanical Transplanter Co.

1150 Central Ave Holland, MI 49423

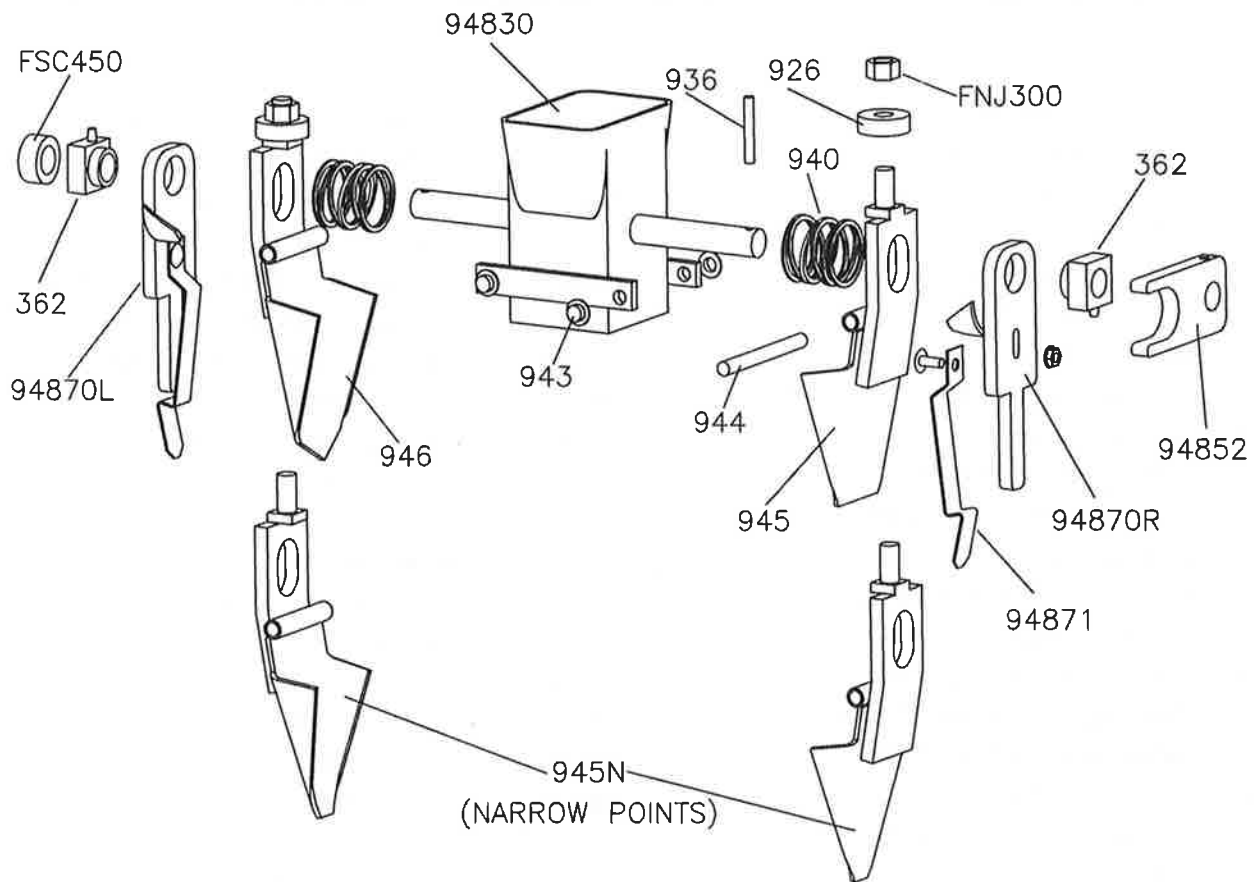
Phone 616-396-8738 ~ Fax 616-396-3619

Website: www.mechanicaltransplanter.com

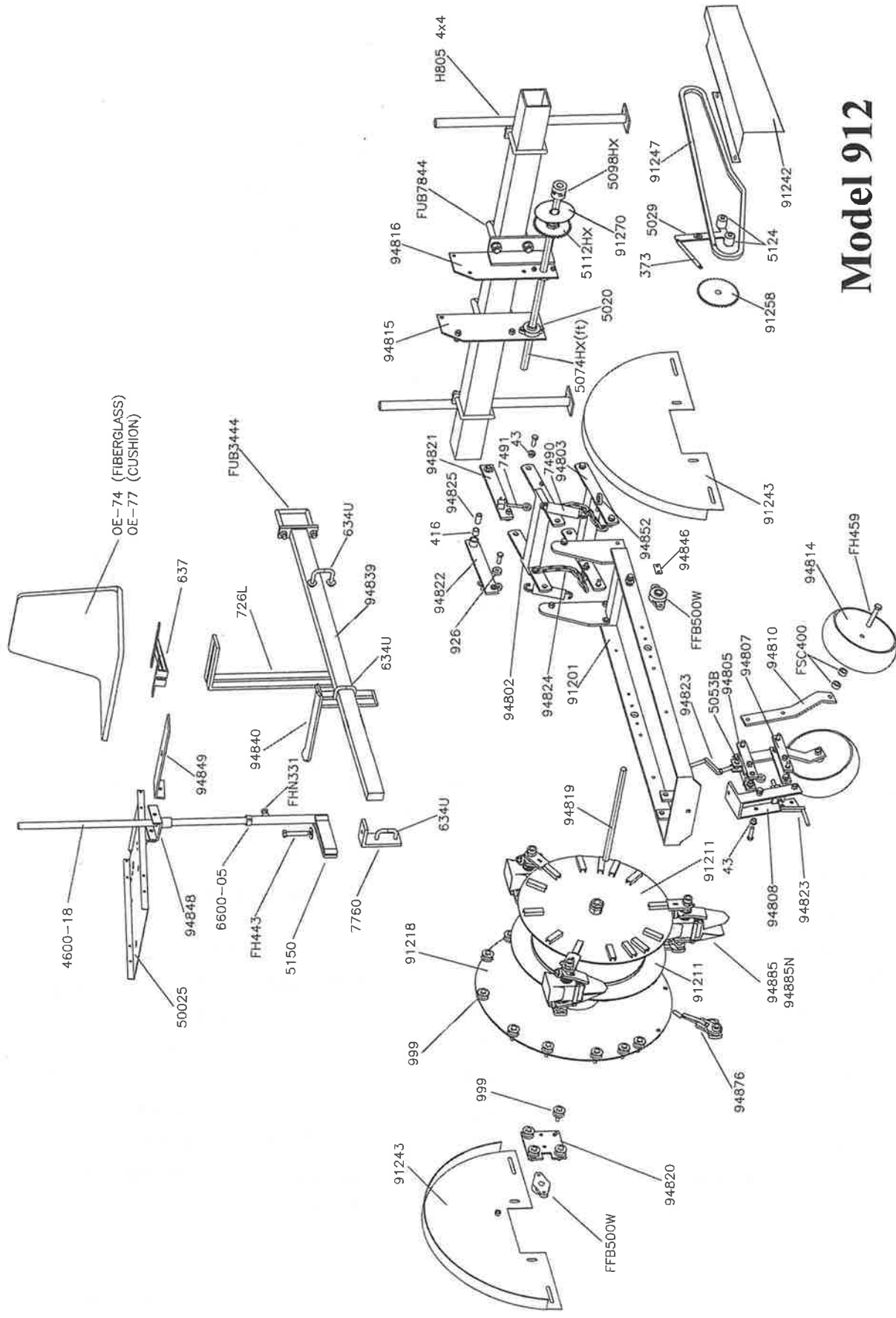
E-Mail: mtcparts@egl.net

Rev 3/2022

94885 and 94885N Pocket Parts

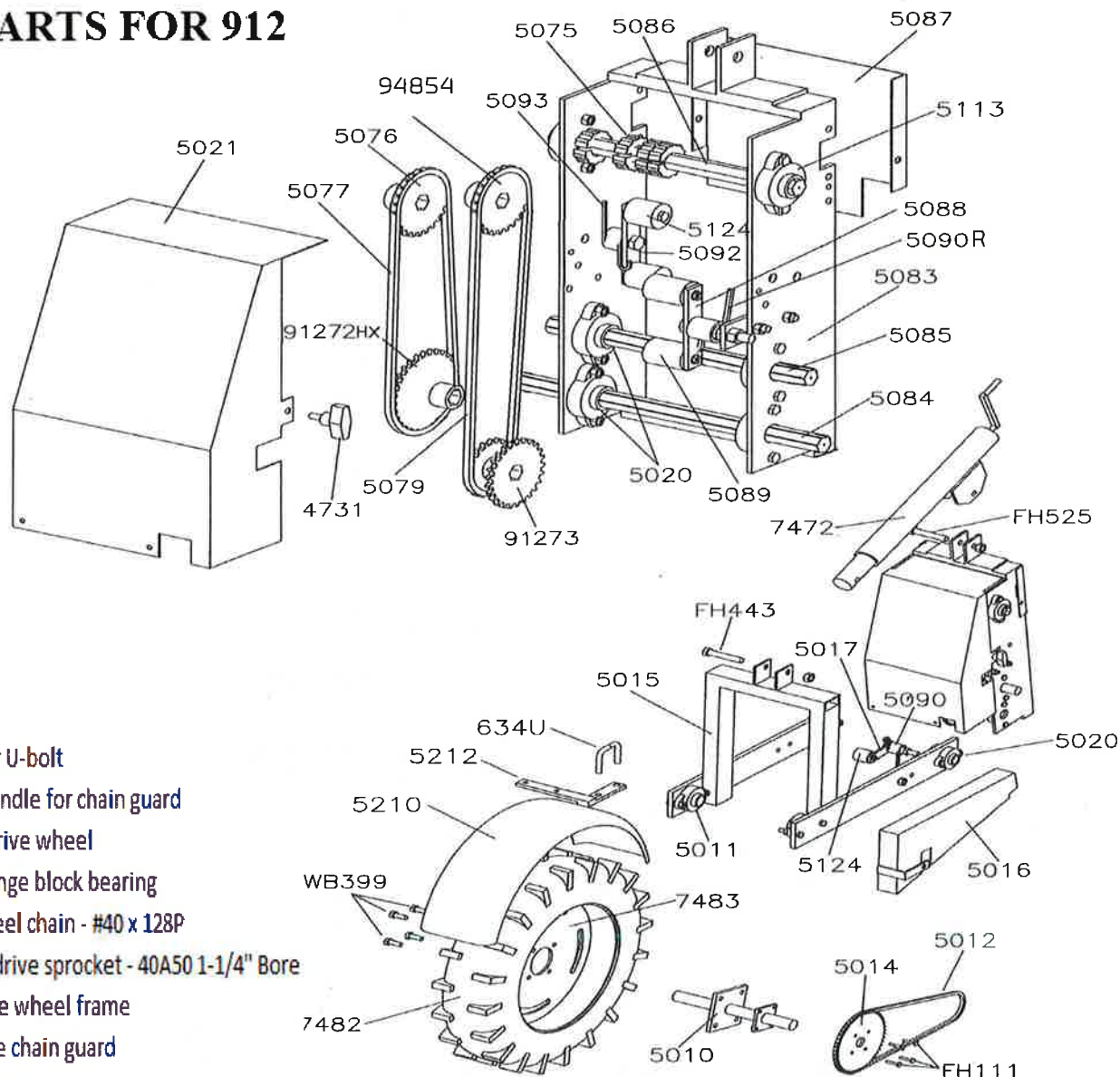


362	Nylon Bushing for #348 Lower Shaft
926	Sealed Bearing
936	Roll Pin for mounting 935 & 942
940	Pocket Compression Spring
943	Cap Nut for #944 Hinge Pin
944	Pocket Hinge Pin
945	Left Pocket Piercing Point
945N	Narrow Pocket Point
946	Right Pocket Piercing Point
94830	Pocket Main Frame
94852	Large Eyebolt
94870L	Left Pocket Arm
94870R	Right Pocket Arm
94871	Pocket Clip Spring
FNJ300	1/2" Jam Nut
FSC450	3/4" Jam Nut



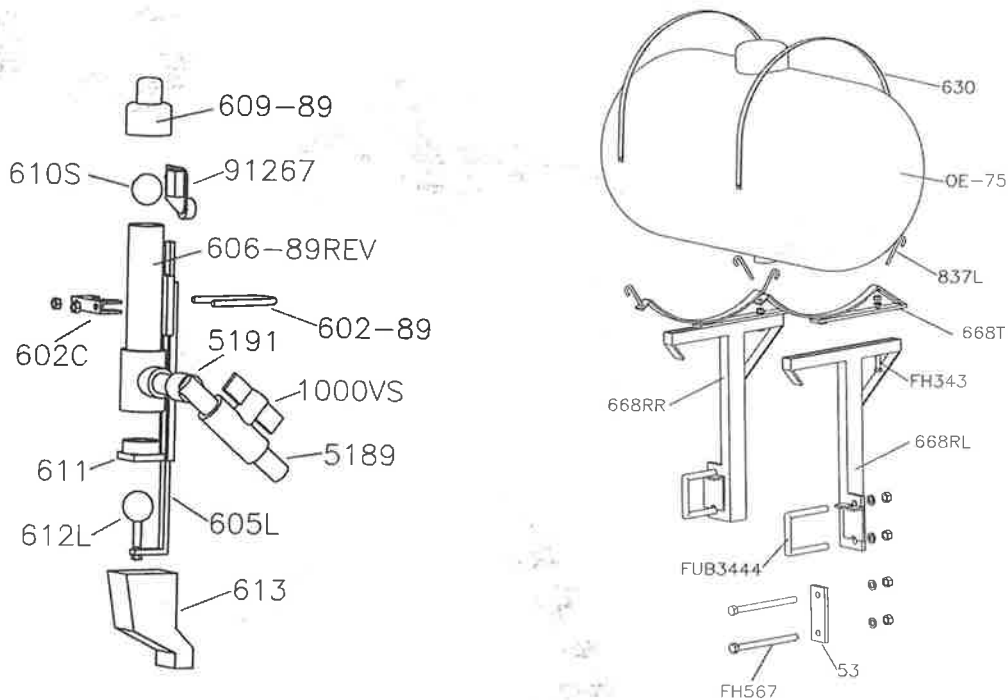
Model 912

DRIVE PARTS FOR 912

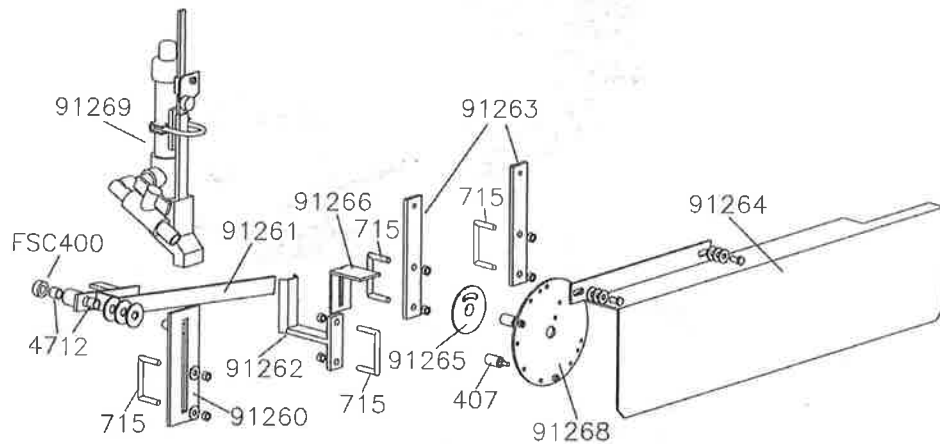


- | | | | |
|-------|---|---------|--|
| 634U | Cultivator U-bolt | 5092 | Chain tightener bracket |
| 4731 | Bolt w/handle for chain guard | 5093 | EZ-17 - 5 coil spring |
| 5010 | Hub for drive wheel | 5113 | 7/8" hex flange block |
| 5011 | 1-1/4" flange block bearing | 5124 | Chain tightener roller (1-1/2" long) |
| 5012 | Drive wheel chain - #40 x 128P | 5210 | Fender less mounting bracket |
| 5014 | 50 tooth drive sprocket - 40A50 1-1/4" Bore | 5212 | Drive wheel fender mounting bracket |
| 5015 | Main drive wheel frame | 7472 | Crank jack |
| 5016 | Long drive chain guard | 7483 | Wheel rim 15 X 4.5 4 bolt |
| 5017 | Chain tightener arm | 91270 | Line shaft sprocket guard |
| 5020 | 1" flange block bearing | 94854 | 28 tooth sprocket with 7/8" hex hub |
| 5021 | Large chain guard | 91272HX | 30 tooth sprocket with 7/8" hex bore |
| 5075 | Rubber spacer | 91273 | 20/25 Tooth x 7/8" hex 2 sprocket assembly |
| 5076 | Single hex bore sprocket 25T | FH111 | 1/4 X 1-1/4 hex head cap screw |
| 5077 | Double sprocket cluster chain - #40 x 80P | FH443 | 5/8 X 3-1/2 hex head cap screw |
| 5079 | Six sprocket cluster chain - #40 x 104P | FH525 | 3/4 X 4 hex head cap screw |
| 5083 | Main frame | FWB399 | 9/16x1-3/4" wheel stud bolt |
| 5084 | Shaft w/ 1 keyway | | |
| 5085 | 13.5" shaft w/ 3 keyways | | |
| 5086 | 13"/13-1/2" hex shaft on drive | | |
| 5087 | Front chain guard | | |
| 5088 | Chain tightener bracket | | |
| 5089 | Chain tightener roller (2" long) | | |
| 5090R | EZ-17 - 7 coil spring (rt hand) | | |
| 5092 | Chain tightener bracket | | |

PARTS FOR WATER VALVE OPTION



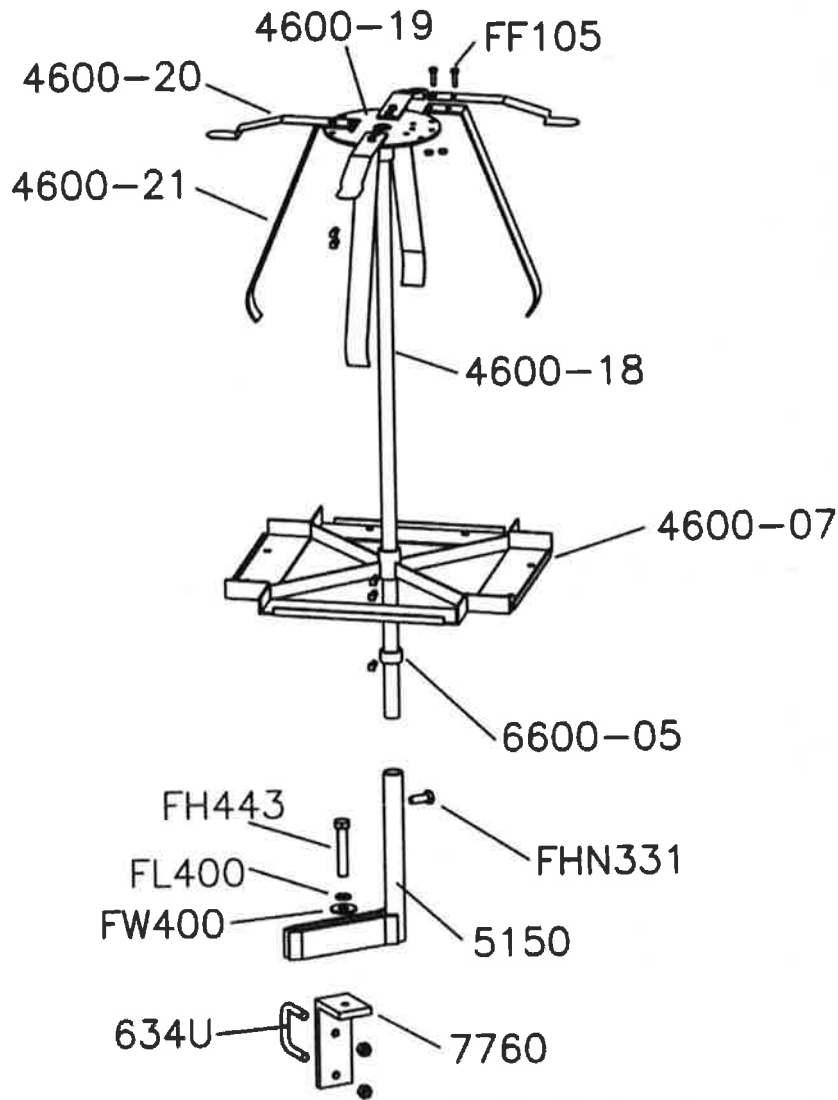
91269 WATER VALVE PARTS



PARTS LIST FOR ABOVE

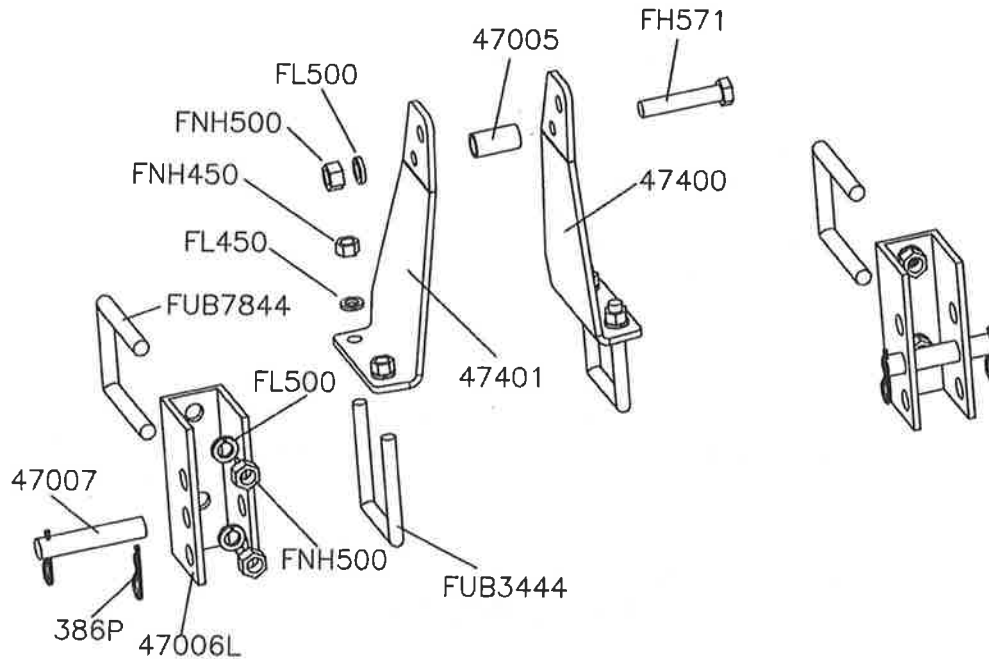
53	Securing Plate	837L	5/16" J-Bolt
407	Roller Water Trip	91260	Trip Mounting Bracket
602C	Special U-Bolt Clamp	91261	Trip Arm
602-89	U-Bolt with Nuts	91262	Valve Mounting Bracket
605L	L-Shaped Water Trip Rod and Ball	91263	Trip Guard Mounting Plates
606-89	Cap with Nipple & Rubber gert after '88	91264	Trip Guard
609-89REV	Valve Housing	91265	Adjustment Dial
610S	Solid Non-Crush Flad Ball	91266	Trip Rest
611	Nylon Water Valve Seat	91267	Roller Trip
612L	Ball Valve w/Brass Pin (after 2000)	91268	Trip Disc
613	Water Valve Spout	91269	Water Valve
630	60 Gallon Barrel Hoop - each	FH343	1/2 x 2-1/2" Hex Head Cap Screw
668RL	Left Barrel Bracket for 4x4 & 4x7	FH567	3/4 x 9-1/2" Hex Head Cap Screw
668RR	Right Barrel Bracket for 4x4 & 4x7	FSC 400	5/8" Set Collar
668T	Barrel Saddle	FUB3444	3/4" U-Bolt for 4x4 Bar
1000VS	Water Valve Shut Off	OE 75	55 Gallon Poly Barrel
5191	90 Degree Elbow		

4-Tray Carrousel

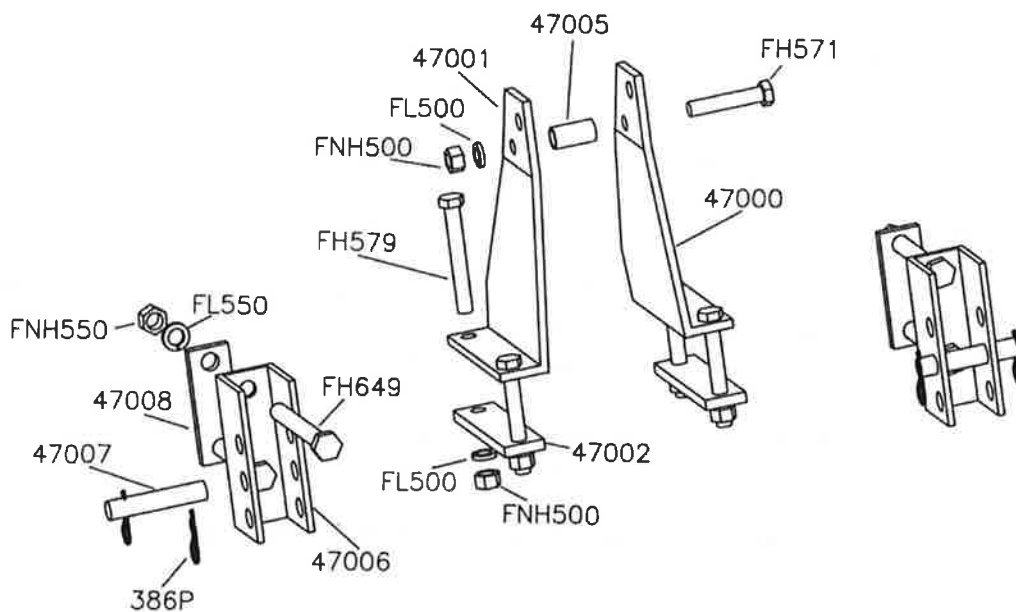


4600-07	Carroussel Tray Frame	6600-05	Carrousel Collar
4600-18	Carrousel Pipe	7760	Mounting Bracket
4600-19	Top Disc	FF105	1/4 X 3/4" Flange Screw
4600-20	Top Spring Plate	FH 443	5/8 x 3-1/2" Hex Head Cap Screw
4600-21	Back Spring Plate	FHN331	1/2 x 1" Nylon Hex Head Cap Screw
5150	Carrousel Arm	FL400	5/8" Lock Washer
634U	Cultivator U-Bolt	FW400	5/8" Flat Washer

MT 44L Toolbar Hitch for 4x4" Toolbar



MT 47 Toolbar Hitch for 4x7" Toolbar



386P	Clip Pin	47401	MT 44 Left Center Upright
47000	MT 47 Right Center Upright	FH571	7/8x4-1/2" Hex Head Cap Screw
47001	MT 47 Left Center Upright	FH649	1x9-1/2" Hex Head Cap Screw
47002	Securing Plate for 7" Toolbar	FL450	3/4" Lock Washer
47005	Upright Spacing Pipe	FL500	7/8" Lock Washer
47006	Lower Bracket	FL550	1" Lock Washer
47006L	Lower bracket for for MT 44L	FNH450	3/4" Hex Nut
47007	Lower Pin	FNH500	7/8" Hex Nut
47008	Securing Plate for 4" Toolbar	FNH550	1" Hex Nut
47400	MT 44 Right Center Upright	FUB7844	7/8" U-Bolt for 4x4 Bar

Safety Precautions

1. Make sure tractor is stopped and in neutral with the transplanter lowered to the ground before getting on /off the unit.
2. No operator is allowed to be on the unit as it is raised and lowered.
3. No operator is allowed on the transplanter as it is transported to or from the field.
4. All operators must be seated before movement begins and remain seated until the transplanter is completely stopped.
5. Never leave the transplanter in the raised position
6. Keep all shields and guards in place when operating the transplanter.
7. Never attempt repairs or maintenance while the transplanter is in motion.
8. Never put the tractor in reverse while the transplanter is on the ground.
9. Follow all safety instructions supplied by the tractor manufacturer to which the transplanter is mounted.

MACHINE IMPROVEMENTS

MECHANICAL TRANSPLANTER CO. IS ALWAYS STRIVING TO MAKE IMPROVEMENTS ON THEIR LINE OF EQUIPMENT. MECHANICAL TRANSPLANTERCO. RESERVES THE RIGHT TO MAKE IMPORVEMENTS AND CHANGES AT ANY TIME WITHOUT INCURRING OBLIGATIONS TO MAKE SUCH CHANGES OR ADDTIONS TO EQUIPMENT PREVIOUSLY SOLD.

Limited Warranty

Mechanical Transplanter Company, LLC warrants each item of new equipment manufactured by Mechanical to be free from defects in material and workmanship under normal use and service.

The obligation of Mechanical Transplanter Company, LLC under this LIMITED WARRENTY is limited to repairing or replacing as Mechanical may elect, any parts that prove, in Mechanical's judgement, to be defective in material and workmanship within the first season's use of 45 consecutive days after initially placing equipment in operation, whichever occurs first. Any outside work or alterations without Mechanical's written approval will render the LIMITED WARRANTY void.

Mechanical's obligation specifically excludes any liability for consequential damages, such as loss of profits, delays, expenses, damage to goods or property used in connection with or processed in or by the product sold, or damage to the product sold from whatsoever cause, whether or not such loss is due to negligence of selling dealer of Mechanical Transplanter Company, LLC.

This limited warranty shall not apply to any item or machine which shall have been operated in a manner not recommended by the Company nor which shall have been repaired, altered, misused, damaged in an accident, neglected, tampered with or used in any way which in the Company's opinion adversely affects its performance and results.

No person is authorized to give any other warranties or to assume any other liability on behalf of Mechanical Transplanter Company, LLC unless made in writing by Mechanical Transplanter Company, LLC.

This limited warranty covers repair or replacement of Mechanical's equipment only and does not cover crop loss, downtime, labor, damage to other equipment, etc.

This limited warranty does not apply to exterior finishes, tires, chain links, bearings, or any other items sold by Mechanical Transplanter Company, LLC, but warranted by the original manufacturer except to the extent of their individual manufacturer's warranty.

THIS LIMITED WARRANTY IS IN LIEU OF ALL OTHER WARRANTIES, EXPRESSED OR IMPLIED. WARRANTIES OF MERCHANT ABILITY AND FITNESS FOR PARTICULAR PURPOSE ARE EXCLUDED, AS ARE ALL OTHER REPRESENTATIONS TO THE USER-PURCHASER, AND ALL OTHER OBLIGATIONS OR LIABILITIES, INCLUDING LIABILTY FOR INCIDENTAL AND CONSEQUENTIAL DAMAGES, ON THE PART OF MECHANICAL OR THE SELLER.