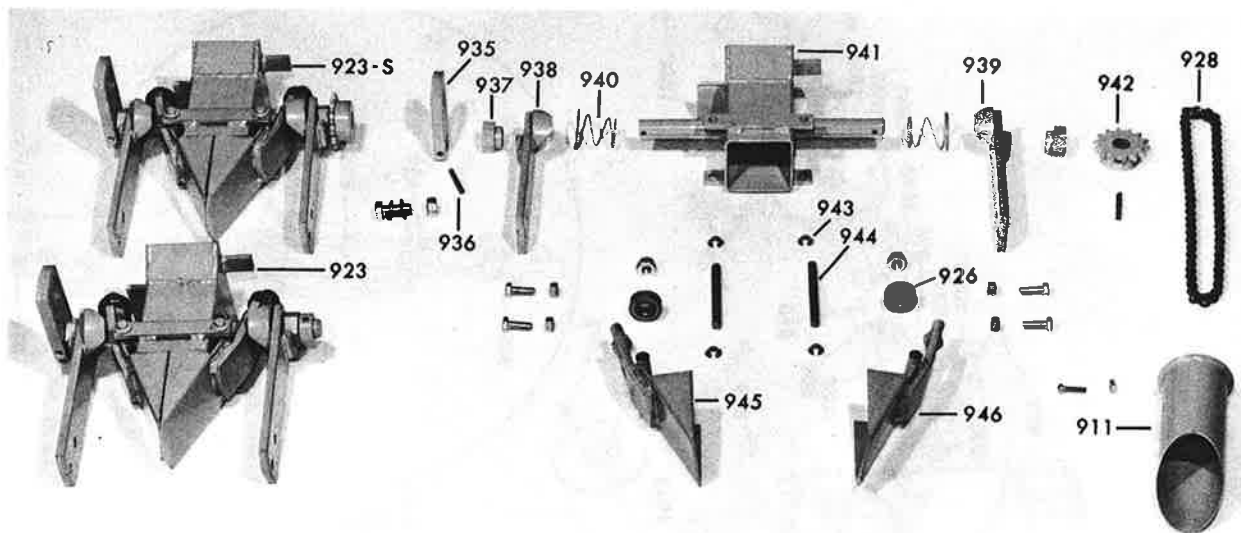


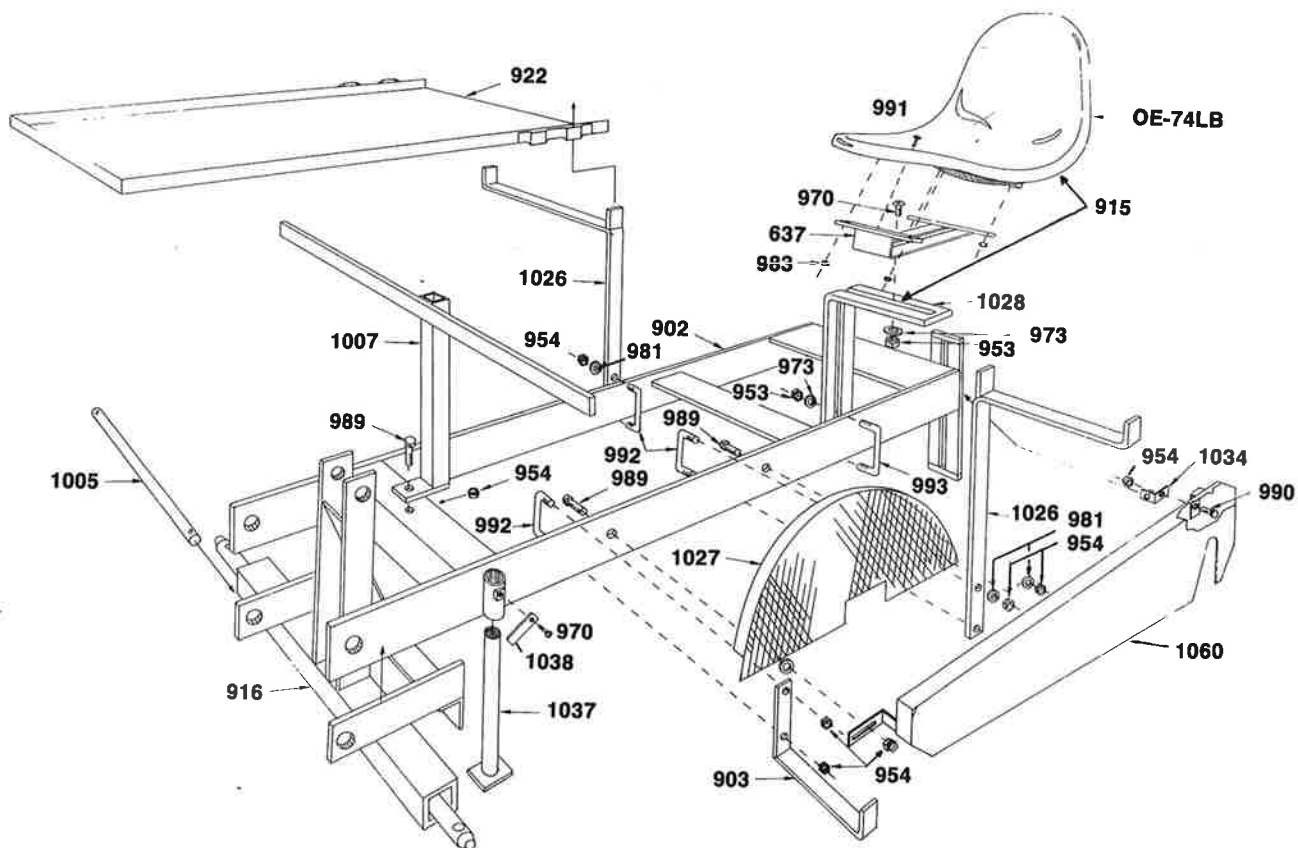
# MECHANICAL TRANSPLANTER CO.

## MODEL 900 MULCH PLANTER

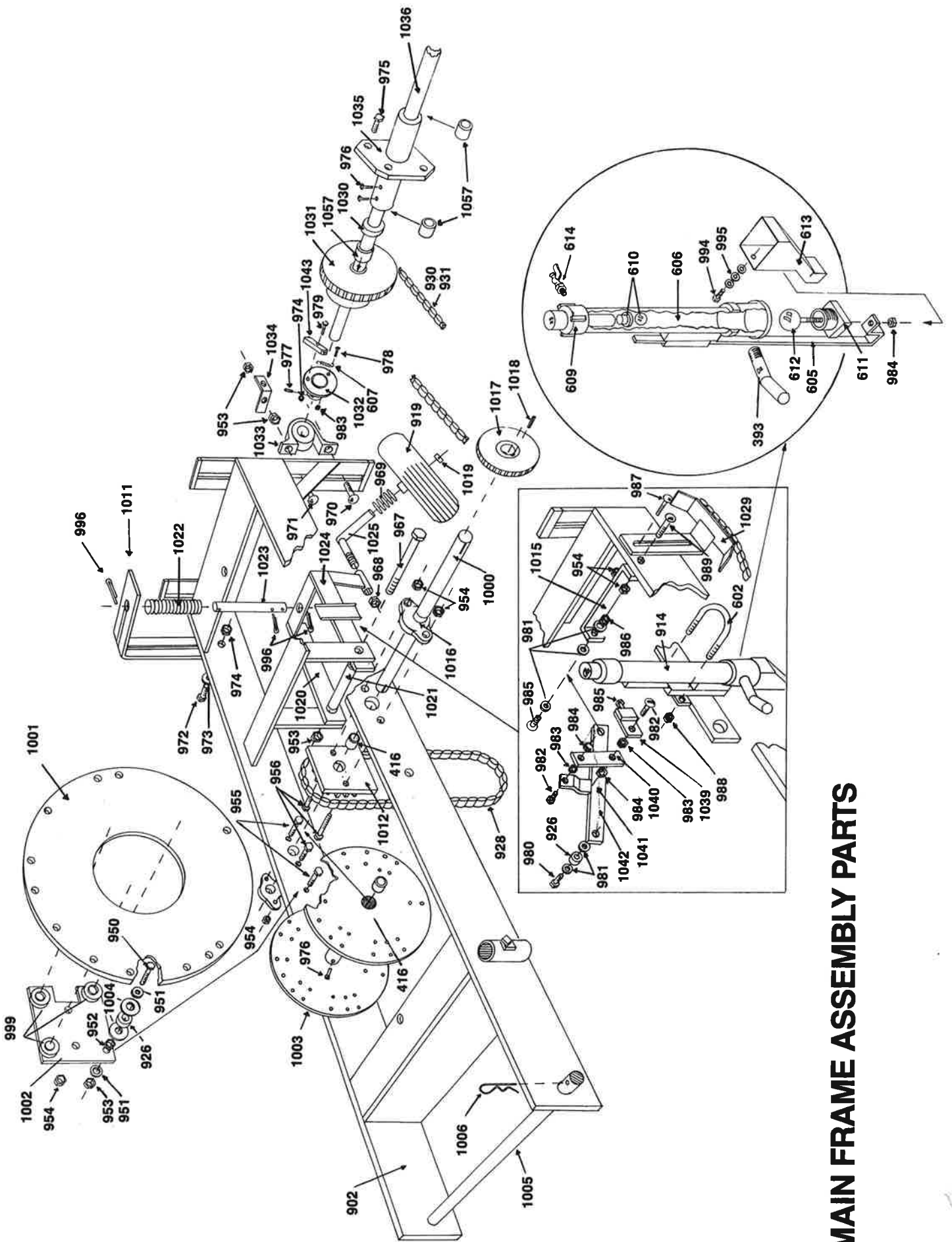
Parts List and Assembly Illustrations



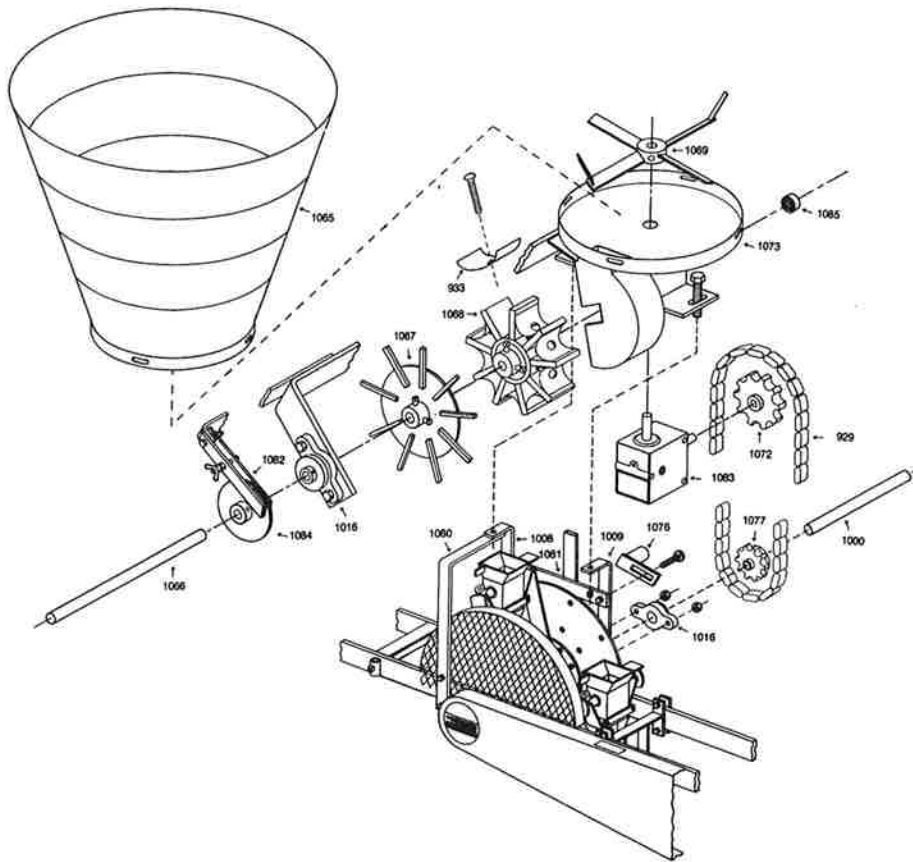
**Standard Pocket Assembly Parts**



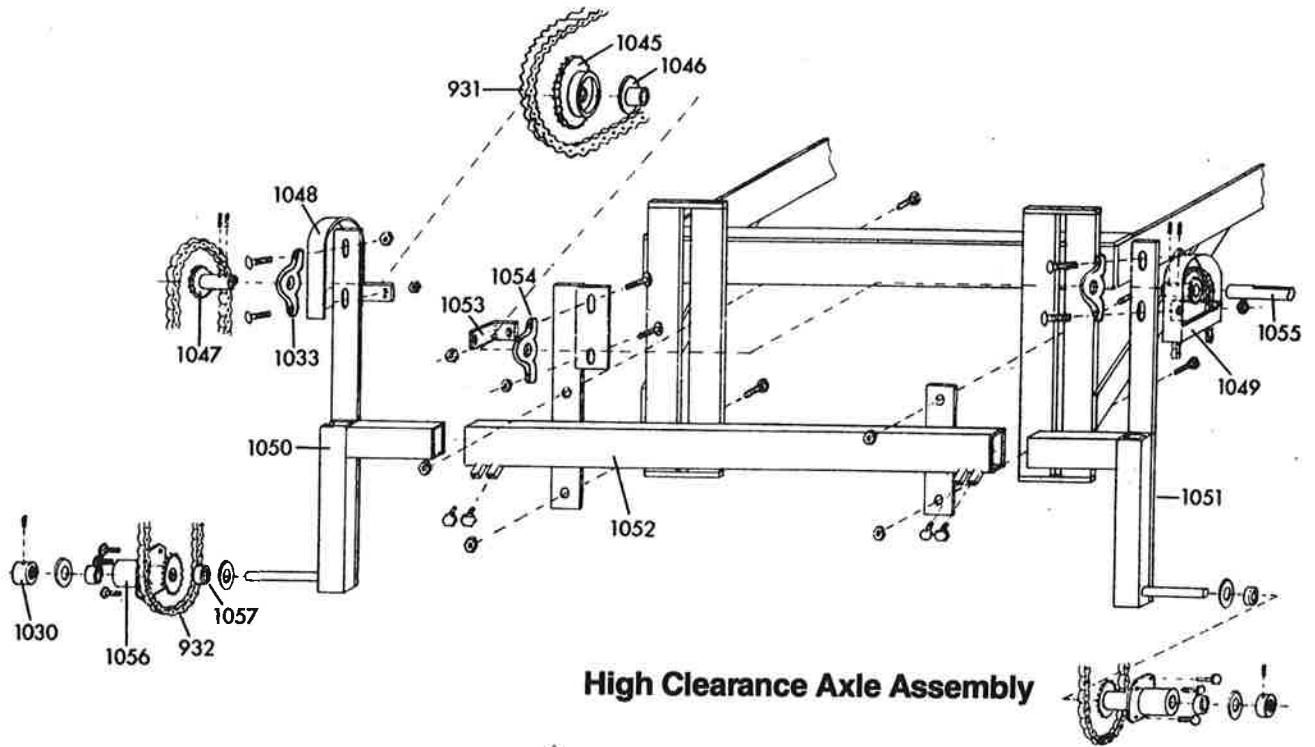
**Plant Tray, Seat, Chain Guard, Foot Rest and Three Point Hitch Assembly and Parts.**



**MAIN FRAME ASSEMBLY PARTS**



**Model 909 Plug Mix Attachment and Parts**



**High Clearance Axle Assembly**

# MODEL 900 MULCH PLANTER

## Parts Price List

Part No.	Description	Part No	Description
902	Unit Frame	1016	3/4" Flange Block
903	Foot Rest Bracket	1017	Main Pocket Drive Shaft Sprocket
911	Round Pocket Insert for Jiffy 7	1018	Key for 1017 Sprocket
914	Water Valve Complete with Brackets	1019	3/4" Collar
915	Fiberglass Seat w/Mounting Brackets	1020	Packer Cart for Pots
919	Packer Cart Tire	1020S	Packer Cart for Soil Mix
920	15" Rim Only (Not Shown)	1021	Pipe Spacer to Mount Packer Cart
921	7.60 x 15" Tire Only (Not Shown)	1022	Tension Spring for Packer Cart
922	Tray for Pots	1023	Packer Cart Guide & Support Shaft
922S	Short Tray for Pots (Not Shown)	1024	Packer Cart Frame
923	Pocket Assembly Complete	1025	Axle for Packer Cart
923 S	Control Pocket Assembly w/Sprocket	1026	Rear Support Bracket for Pot Tray
926	Sealed Bearings for Pockets & Disc	1027	Chain Guard for Control Chain
928	#41 Roller Chain for Control Pocket	1028	Seat Mounting Bracket
929	#40 Roller Chain for Plug Mix Drive	1029	Main Drive Chain Tightener
930	#50 Roller Chain for Straight Axle	1030	1 1/4" Collar for Axle
931	#50 Roller Chain for High Rise Axle	1031	Axle Drive Sprocket w/Ratchet Ring
932	#40 Roller Chain High Ax. Jackshaft	1032	Inside Ratchet Assembly
933	Plug Mix Stainless Steel Inserts	1033	1 1/4" Pillow Block to Mount Axle
935	Pocket Timing Plate with Bearing	1034	Chain Guard Mounting Bracket
936	Roll Pins for Mounting #935 & #942	1035	Drive Wheel Hub Assembly
937	3/4" Hex Bearing	1036 4	4' Main Drive Axle 1 1/4"
938	Left Pocket Mounting Arm	1036 5	5' Main Drive Axle 1 1/4"
939	Right Pocket Mounting Arm	1036 6	6' Main Drive Axle 1 1/4"
940	Compression Spring to Close Pocket	1037	Front Pipe Stand
941	Pocket Top Assembly	1038	Pipe Stand Tightening Bracket
942	Control Pocket Sprocket	1039	Water Trip Adjustment Bracket
943	Cap Nut for #944 Hinge Pins	1040	Water Trip Bracket
944	Pocket Hinge Pin	1041	Water Trip Arm
945	Left Pocket Piercing Point	1042	Complete Water Trip Assembly
946	Right Pocket Piercing Point	1043	Ratchet Dog
950	1/2 x 2" HHCS Plated	1045	Drive Sprocket w/Ratchet Ring
951	1/2" Machinery Bushing	1046	Inside Ratchet Assembly
952	1/2" Jam Nut	1047	Jack Shaft Drive Sprocket
953	1/2" Hex Nut Plated	1048	Jack Shaft Left Chain Guard
954	3/8" Hex Nut Plated	1049	Jack Shaft Right Chain Guard
955	3/8 x 1 1/2" HHCS Plated	1050	Left Adj. Axle Mounting Bracket
956	3/8 x 1 3/4" HHCS Plated	1051	Right Adj. Axle Mounting Bracket
967	1/2 x 5 1/2" HHCS Plated	1052	Axle and Jack Shaft Mounting Bracket
968	5/8" Hex Nut Plated	1053	Chain Guard Mounting Bracket
969	3/4" Machinery Bushing	1054	7/8" Pillow Block
970	1/2 x 1 1/2" Carriage Bolt Plated	1055	7/8" Jack Shaft
971	1/2 x 2" Carriage Bolt Plated	1056	Drive Wheel Hub With Sprocket
972	7/16 x 1 1/2" HHCS	1057	1 1/4" ID Wheel Hub Bearing
973	1/2" Washer	1060	Drive Chain Guard (Straight Axle)
974	7/16" Hex Nut Plated	1061	Drive Chain Guard (Hi-Rise Axle)
975	1/2 x 1 3/16" Stud Bolt	1065	Soil Mix Hopper
976	3/8 x 3/4" Cup Point Set Screw	1066	Metering Wheel Shaft
977	3/8 x 3/8" Allen Head Screw	1067	Metering Wheel Timing Plate
978	1/4 x 1/2" Stove Bolt	1068	Metering Wheel
979	7/16 x 1 1/4" HHCS Plain	1069	Agitator Blade
980	3/8 x 1" HHCS Plated	1070	3/4" Bearings for Base (Prior 1980)
981	3/8" Washer	1071	Horizontal Drive Shaft (Prior 1980)
982	1/4 x 1" Stove Bolt	1072	Upper Drive Sprocket (14 tooth)
983	1/4" Hex Nut Plated	1073	Hopper Base
984	1/4" Lock Nut Plated	1074	Mitre Gear for Agitator (Prior 1980)
985	1 x 5/8" HHCS Plated	1075	Vertical Drive Shaft (Prior 1980)
986	3/8" Lock Nut Plated	1076	Chain Tightener for Drive Chain
987	3/8 x 1 1/2" Carriage Bolt	1077	Lower Drive Sprocket (17 tooth)
988	5/16" Flat Nut	1078	Complete Brake Assembly (Prior 1980)
989	3/8 x 1 1/4" HHCS Plated	1079	Plastic Meter Wh. Guard (Prior 1980)
990	3/8 x 1" HHCS Grade 5, Plated	1080	Front Support Brace for Plug Mix
991	1/4 x 1" Carriage Bolt	1081	Plug Mix Stabilizing Support Brace
992	#718-3/8" Rectangular U-Bolt	1082	Brake Band with Pad Only
993	#739-S-1/2" Rectangular U-Bolt	1083	Gear Box (After 1980)
994	5/16 x 1/2" HHCS Plated	1084	Disc Brake Wheel
995	5/16" Washer	1085	Plug Mix Sealed Bearing
996	1/4 x 1 1/2" Cotter Pin	1086	1 1/4" Oilite Bearing for 1075 Shaft
997	1/2 x 1 1/4" HHCS Plated	393	Water Valve Hose Nipple
999	Bearing & Guide Washer Complete	416	3/4" Oilite Bearing
1000	Main Pocket Drive Shaft	602	Water Valve U-Bolt
1001	22" Main Control Disc	605	Water Valve Trip Rod
1002	Control Disc Bearing Plate Complete	606	Water Valve Housing w/Tee
1003	Double Disc Assembly for Pockets	607	Inside Ratchet Spring
1004	Guide Washer for Bearing Assembly	609	Water Valve Cap
1005	7/8" Drawbar Shaft	610	Air Valve Float
1006	Spring Clip Pin for Drawbar Shaft	611	Nylon Water Valve Seat
1007	Front T-Mtg Bracket for Pot Tray	612	Ball Valve w/Brass Insert
1008	Front Support Bracket for Soil Mix	613	Water Valve Spout
1009	Rear Support Bracket for Soil Mix	614	Brass Air Vent
1011	Packer Cart Rear Support Bracket	637	Fiberglass Seat Bracket Only
1012	Sprocket & Plate Assembly	OE 74LB	Fiberglass Seat Less 637 Bracket
1015	Water Trip Assembly Support Bracket		

## Mechanical Transplanter Co.

1150 Central Ave.,

Holland, Michigan 49423

Telephone Area Code 616-396-8738