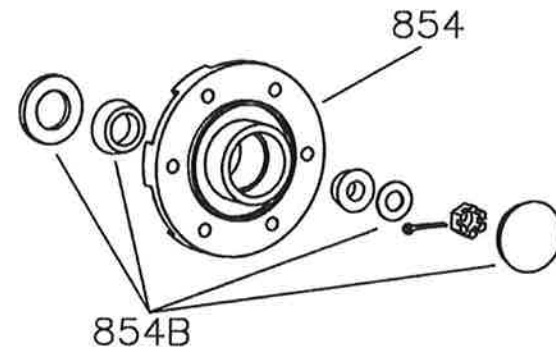
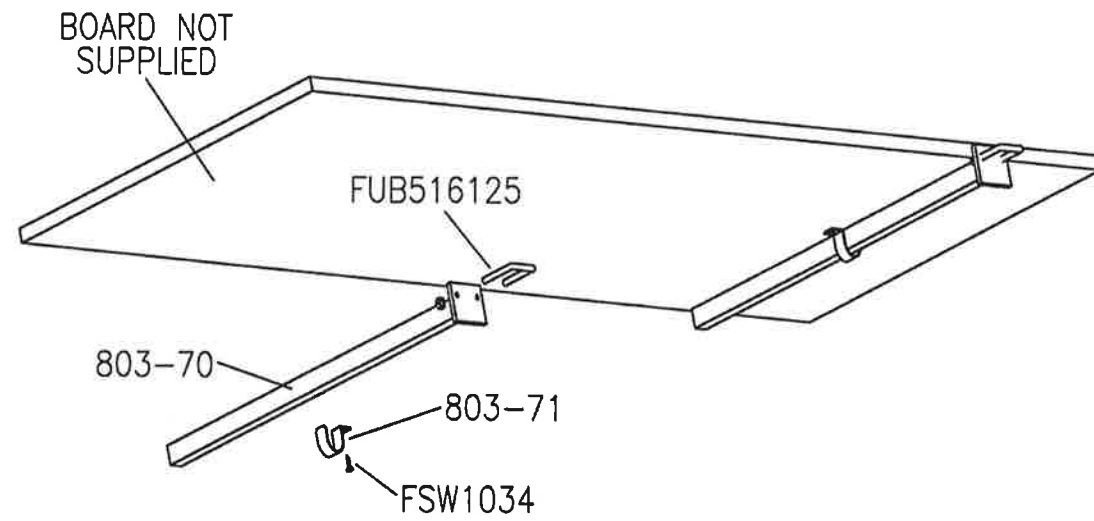


6-Bolt Hub Parts Breakdown

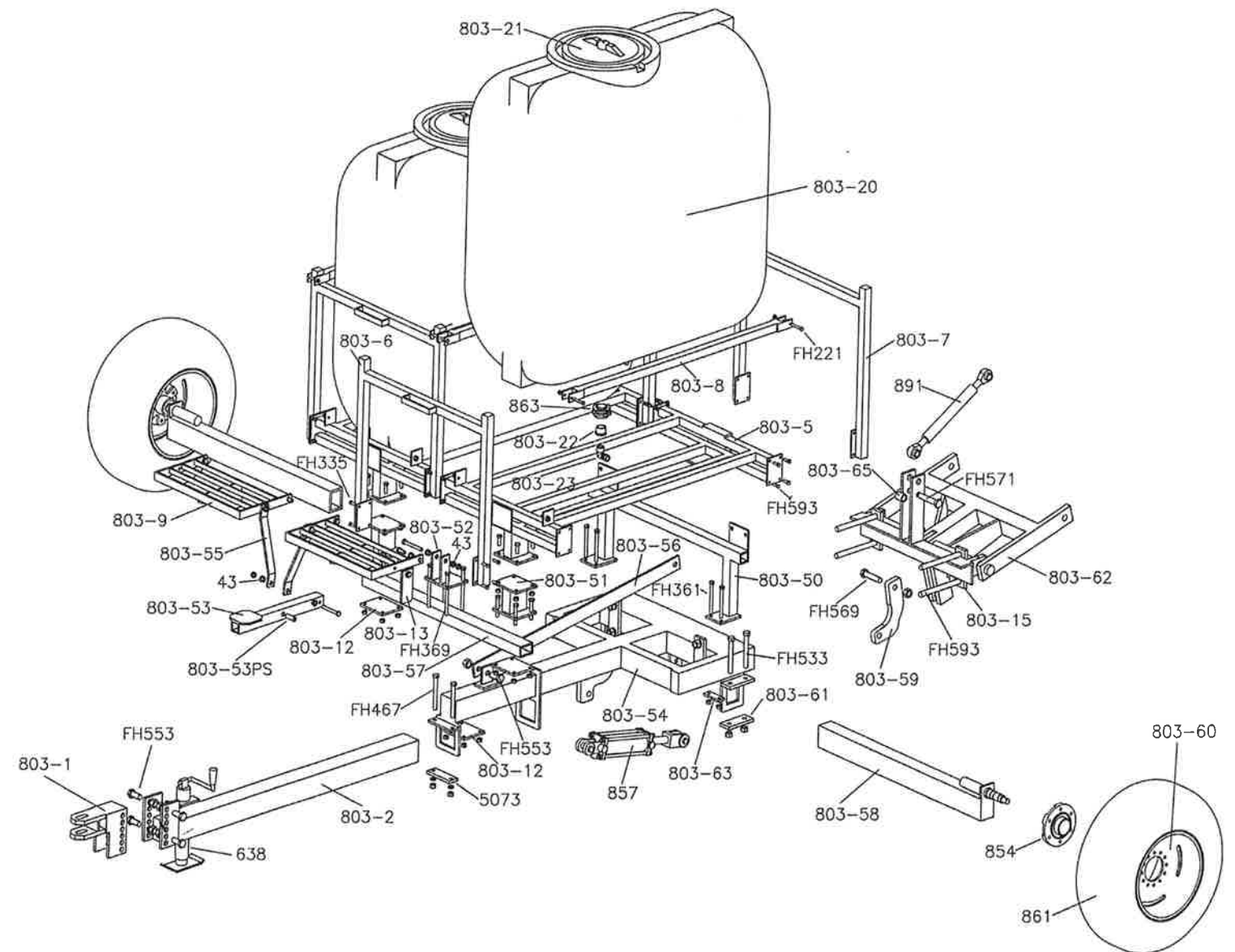


Complete hub assembly - Part #854
Bearings and seals - Part #854B

OE-55 Shelf Parts Breakdown



803-4HF



Safety Precautions

1. Make sure tractor is stopped and in neutral with the transplanter lowered to the ground before getting on and off the unit.
2. No operator is allowed to be on the unit as it is raised and lowered.
3. No operator is allowed on the transplanter as it is transported to or from the field.
4. All operators must be seated before movement begins and remain seated until the transplanter is completely stopped.
5. Never leave the transplanter in the raised position.
6. Keep all shields and guards in place when operating the transplanter.
7. Never attempt repairs or maintenance while the transplanter is in motion.
8. Never put the tractor in reverse while the transplanter is on the ground.
9. Follow all safety instructions supplied by the tractor manufacturer to which the transplanter is mounted.

MACHINE IMPROVEMENTS

MECHANICAL TRANSPLANTER CO. IS ALWAYS STRIVING TO MAKE IMPROVEMENTS ON THEIR LINE OF EQUIPMENT. MECHANICAL TRANSPLANTER CO. RESERVES THE RIGHT TO MAKE IMPROVEMENTS AND CHANGES AT ANY TIME WITHOUT INCURRING OBLIGATIONS TO MAKE SUCH CHANGES OR ADDITIONS TO EQUIPMENT PREVIOUSLY SOLD.

Limited Warranty

Mechanical Transplanter Company warrants each item of new equipment manufactured by Mechanical to be free from defects in material and workmanship under normal use and service.

The obligation of Mechanical Transplanter Company under this LIMITED WARRANTY is limited to repairing or replacing as Mechanical may elect, and any parts that prove, in Mechanical's judgment, to be defective in material and workmanship within the first season's use or 45 consecutive days after initially placing equipment in operation, whichever occurs first. Any outside work or alterations without Mechanical's written approval will render the LIMITED WARRANTY void.

Mechanical's obligation specifically excludes any liability for consequential damages, such as loss of profits, delays, expenses, damage to goods or property used in connection with or processed in or by the product sold, or damage to the product sold from whatsoever cause, whether or not such loss is due to negligence of selling dealer of Mechanical Transplanter Company.

This limited warranty shall not apply to any item or machine which shall have been operated in a manner not recommended by the Company nor which shall have been repaired, altered, misused, damaged in an accident, neglected, tampered with or used in any way which in the Company's opinion adversely affects its performance and results.

No person is authorized to give any other warranties or to assume any other liability on behalf of Mechanical Transplanter Company, unless made in writing by Mechanical.

This limited warranty covers repair or replacement of Mechanical Transplanter Co. equipment only and does not cover crop loss, downtime, labor, damage to other equipment, etc.

This limited warranty does not apply to exterior finishes, tires, chain links, bearings, or any other items sold by Mechanical Transplanter Co., but warranted by the original manufacturer except to the extent of their individual manufacturer's warranty.

THIS LIMITED WARRANTY IS IN LIEU OF ALL OTHER WARRANTIES, EXPRESSED OR IMPLIED. WARRANTIES OF MERCHANTABILITY AND FITNESS FOR PARTICULAR PURPOSE ARE EXCLUDED, AS ARE ALL OTHER REPRESENTATIONS TO THE USER-PURCHASER, AND ALL OTHER OBLIGATIONS OR LIABILITIES, INCLUDING LIABILITY FOR INCIDENTAL AND CONSEQUENTIAL DAMAGES, ON THE PART OF MECHANICAL OR THE SELLER.

Mechanical Transplanter Model 803-4HF Parts List

43	1/2" Bushing for clamp	803-53	Step
638	Jack for trailer	803-53PS	Pipe spacer
854	6-Bolt wheel hub with bearings	803-54	Main frame
854B	Bearings and seals for 6-bolt hub	803-55	Step support arm
857	3 x 8" Hydraulic cylinder	803-56	Support brace
861	11:00 x 15" Tire	803-57	Saddle cross brace
863	300 Gallon barrel bottom bushing	803-58	Axle
891	Turnbuckle top arm	803-59	Cylinder bracket
5073	12 x 2 x 6" Securing plate	803-60	Rim
803-1	Adjustable hitch	803-61	1/2 x 2-1/2 x 6" Securing plate
803-2	Tongue	803-62	Rock shaft hitch assembly
803-5	Saddle base	803-63	3/8 x 1-1/2 x 4" Securing plate
803-6	Saddle front frame	803-65	1-5/8" Pipe spacer
803-7	Saddle rear frame	803-70	Shelf support bracket
803-8	Saddle side brace	803-71	1" Conduit clamp for shelf
803-9	Step platform	FH221	3/8 x 2-1/2" Hex head cap screw
803-12	3/8 x 5 x 6 Securing plate	FH335	1/2 x 1-1/2" Hex head cap screw
803-13	Step lock	FH361	1/2 x 5-1/2" Hex head cap screw
803-15	5/8 x 2-1/2 x 7" Securing plate	FH369	1/2 x 7-1/2" Hex head cap screw
803-20	Upright 300 gallon tank	FH467	5/8 x 6-1/2" Hex head cap screw
803-21	Lid for 300 gallon tank	FH553	3/4 x 6" Hex head cap screw
803-22	Reducer	FH569	7/8 x 4" Hex head cap screw
803-23	Elbow	FH571	7/8 x 4-1/2" Hex head cap screw
803-50	Rear saddle bracket	FH593	7/8 x 10" Hex head cap screw
803-51	Booster block	FSW1034	#10x3/4" Wood screw
803-52	Step mount	FUB51615	5/16" U-bolt for 1-1/2" bar

Mechanical Transplanter Company * 1150 Central Avenue * Holland, MI 49423

Phone: 800-757-5268 * 616-396-8738 or Fax: 616-396-3619

www.mechanicaltransplanter.com

mtc@mechanicaltransplanter.com