

# MODEL 5500

## Parts List



**Mechanical Transplanter Co.**  
1150 Central Ave - Holland, MI 49423 \* Phone 616-396-8738 \* Fax 616-396-3619  
Website: [www.mechanicaltransplanter.com](http://www.mechanicaltransplanter.com)  
E-Mail: [mtcparts@egl.net](mailto:mtcparts@egl.net)

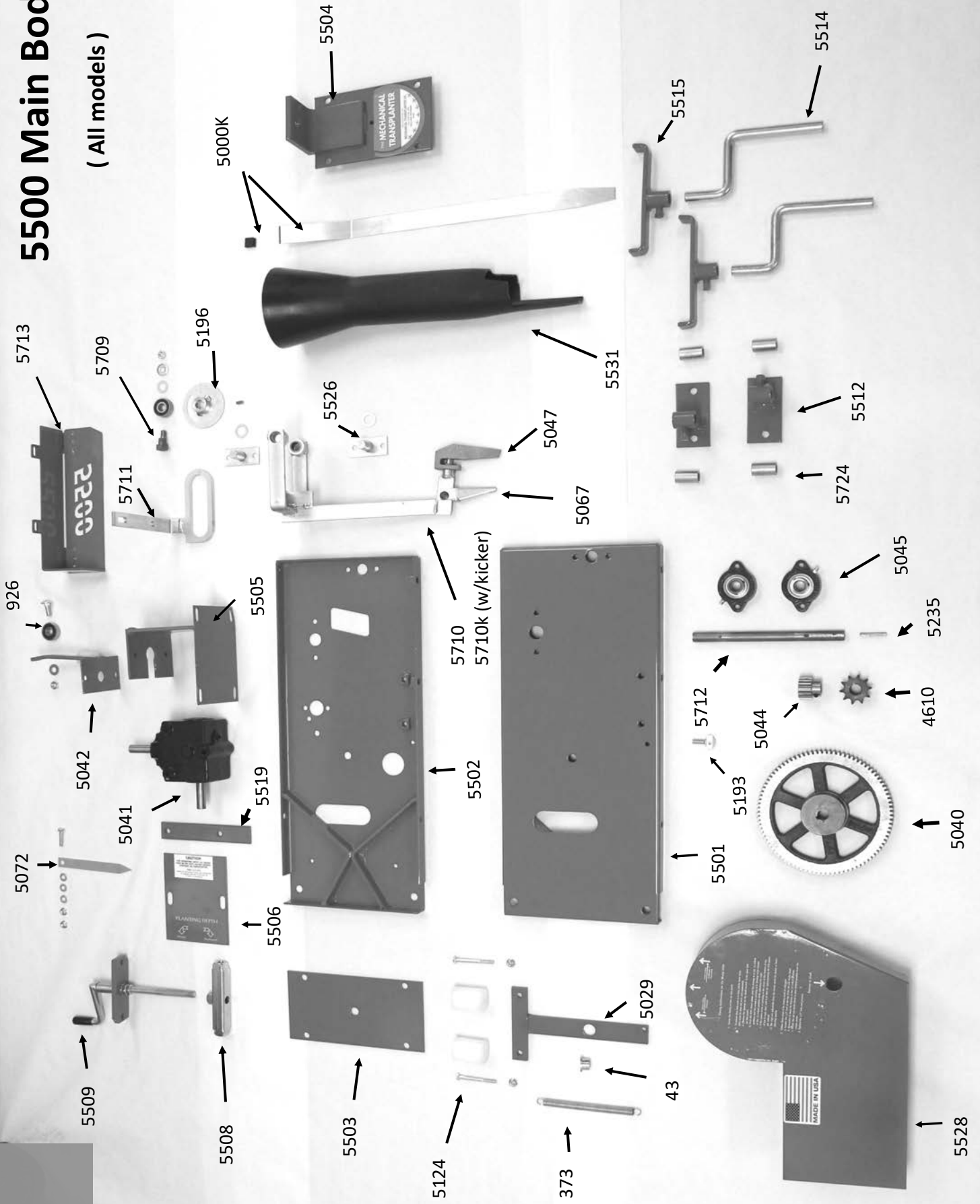
## PART LIST

<u>Part #</u>	<u>Description</u>	<u>Part #</u>	<u>Description</u>
12	Direct drive tire & rim	1000D	13.5" disc with 5/8" bearing for double disc and fertilizer
15	Chain guard clip pin	1000DDB	Double disc bearing only (5/8")
31	Main frame of rear half	1000DDH58	Double disc hub with bearing 5/8"
32	Wheel chain tightener spring	1000FW58	13.5" coultter blade hub cap 5/8'
33	Wheel chain tightener arm	1000VS	3/4" water valve shut off
35	1/4 X 15" chain for direct drive	4610	10 tooth 5/8" bore sprocket
38	Wheel hub w/sprocket	5000K	Deflector kit
38C	Hub with 18 tooth sprocket	5001	Water valve cap
39	Main frame of front half	5009L	Water pump rod (after 2000)
40	Left DD diamond clamp less U-Bolt	5019	Mounting bracket
41	Chain 32S - 34 links for direct drive	5026	5000 shoe
42	Right DD diamond clamp less U-Bolt	5026DD	5000W double disc shoe
43	Shoulder bushing	5026P	Poly sided 5000 shoe
47	4 X 7/7 X 7 securing plate	5026PDD	5000W double disc poly shoe
48	Left 4x4/4x7 direct drive clamp	5029	Unit chain tightener bracket
49	Right 4x4/4x7 direct drive clamp	5030	14" wide ski bottom
328	3/4" flange block	5030N	10" wide ski plastic
373	Chain tightener spring	5031	1/4 X 3/4 flat head stainless steel
376S	Tension spring (10 & 12 pocket)	5033	Metal top of skis
381	7 tooth spacing sprocket	5033CMP	Ski Assembly
381I	7 tooth idler sprocket	5034RP	1/4x1-3/8" roll pin
382	8 tooth spacing sprocket	5035	Hex locking plate
383	9 tooth spacing sprocket	5036	Center post for cups
384	10 tooth spacing sprocket	5037N	Single cup mounting
385	11 tooth spacing sprocket	5039	Cup tube
386	Shaft/Axle/Hitch bar	5040	90 tooth large spur gear
386P	Shaft clip pin	5041	Gear box with two shafts
462	11 tooth wheel sprocket	5042	Cup trip bracket
521	Roll pin	5044	15 tooth spur gear
522	Clip pin	5045	5/8" flange block bearing
529	Scraper blade	5047	Aluminum kicker
530	Wheel scraper mounting bracket	5054	Lift chain on scissors hitch
533	Wheel scraper complete (after 1983)	5063	Front chain guard
609LN	3/4" conduit lock nut for cap	5063SP	Spacer for guard
609R	Rubber nipple only for 609 or 609 89	5065	Swing arms for seat
609RS	O-ring seal for cap	5067	Shoe cleaner
610S	Large float ball (1-1/2")	5071	Seat bracket
611	Nylon water valve seat	5072	Leveling arm
612L	Ball valve with brass pin (after 2000)	5073	1/2 x 2 x 6-1/2" securing plate (for 5/8" bolts)
637	Fiberglass seat bracket	5074HX	7/8" stainless hex shaft (Per foot)
740	7/8" V-bend U-bolt with nuts	5095	Cup door spring
926	Sealed bearing	5096	Door hinge pin

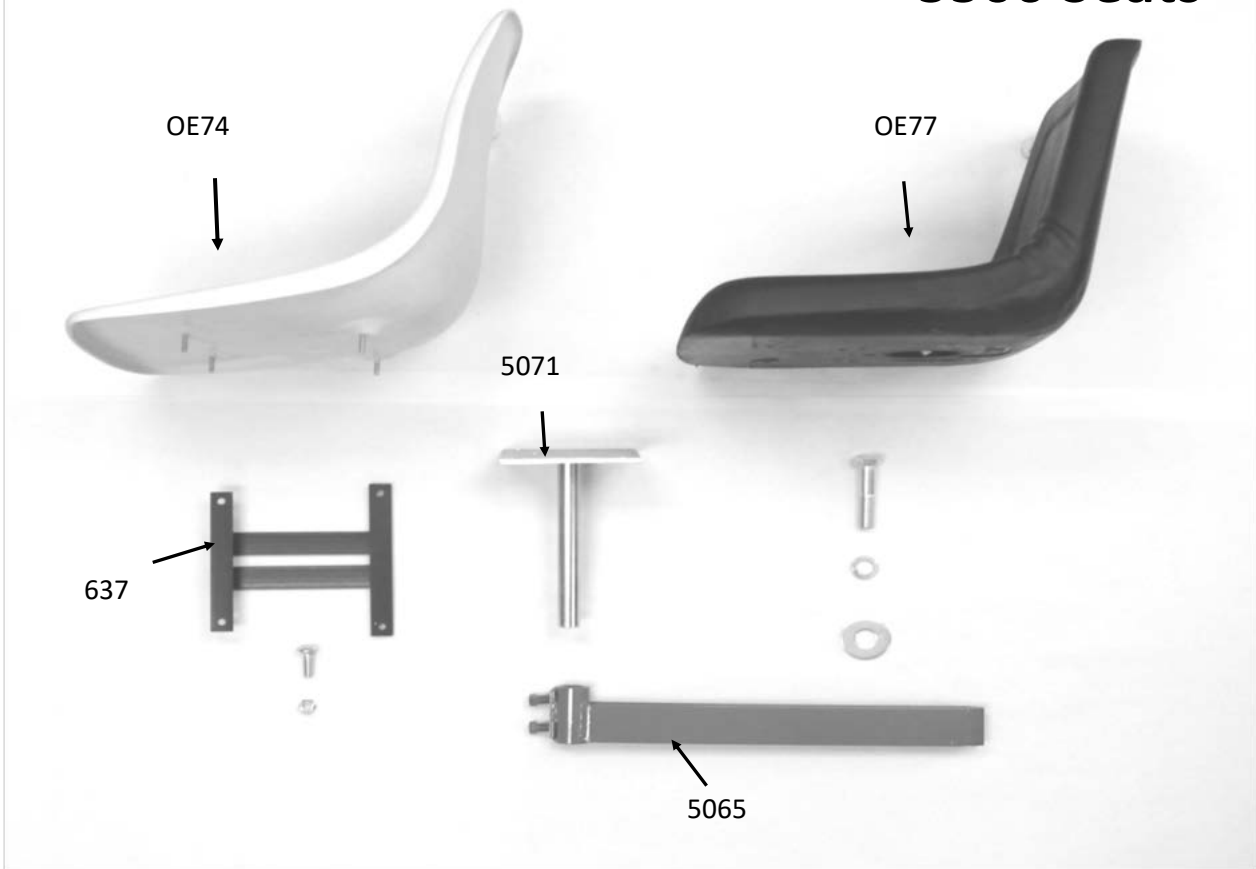
<b><u>Part #</u></b>	<b><u>Description</u></b>	<b><u>Part #</u></b>	<b><u>Description</u></b>
5097	Door for cup	5531	Drop tube
5098HX	7/8" Hex coupler	5532	Water valve for 5000W and 5500 series
5098R	Rubber spacer only for love joy coupler	5550	Jackshaft
5099	Pipe timing lock	5551	18 tooth spacing gear
5113	7/8" hex flange block	5552	20 tooth spacing gear
5124	Chain tightener roller ( 1-1/2" long)	5553	22 tooth spacing gear
5140	5500 top	5554	24 tooth spacing gear
5142	Single cup assembly	5555	26 tooth spacing gear
5143	Round 6 cup feeder surface	5556	27 tooth spacing gear
5149	Pin for mounting front chain guard	5557	32 tooth spacing gear
5157	Shoe adjustment bolt assembly	5558	38 tooth spacing gear
5189	1 X 3/4" nylon hose barb	5560	18 tooth wheel sprocket
5190	Coupler	5563	Unit drive chain - #40 x 110P
5191	90 degree st. L. PVC	5565	Direct drive mounting plate
5193	Thumb screw	5566	Direct drive chain guard
5196	Small outside dial	5567	Wide/narrow tightener bracket
5198R	Nylon roller trip	5709	Offset bolt for cam
5199	Trip channel on pump rod	5710	Model 5500 kicker arm
5203	Left long rear packer pad	5710K	5500 Kicker arm w/ aluminum kicker
5204	Right long rear packer pad	5711	Model 5500 eccentric cam
5234	1/2-13x2 threaded stud	5712	Model 5500 series cam shaft
5235	3/16 sq x 1-1/2" long key stock	5713	5500 cam guard
5501	Side plate, guard side	5720	Depth Adjustment Arm - 5500
5502	Side plate, water side	5721	Model 5500 ski adjustment sleeve
5503	Front plate	5722	Model 5500 ski adjustment post
5504	Back plate	5724	5500 footrest spacer
5505	Back plate	5732L	Left 5500W packing wheel axle
5506	Inspection plate	5732R	Right 5500W packing wheel axle
5507	Wheel yolk	5733	19" flange packing wheel for bearing hub
5508	Long nut for wheel adjustment	5740	Model 5500 series water cam shaft
5509	Crank assembly	5741	5500 series water cam shaft bearing sleeve
5510	Front shoe mount bracket	5760	5500 series water trip disc
5512	Footrest bracket	11101	Hex packing wheel bearing
5514	Adjustable footrest post	11102	Hex packing wheel hub with bearings
5515	Footrest	11102LB	Hex packing wheel hub less bearings
5516	Lower scissors hitch arm	11138	Lynch pin for 1100/5500 spacing sprockets
5517	Upper scissors hitch arm	FHN435	5/8 x 2" nylon hex head cap screw
5519	Guard support bracket	FNJ300	1/2" hex jam nut
5524	L-bracket for wheel scrapers	FSQ149	5/16 X 3/8 sq. head cup pt. set screw
5526	Kicker arm mounting plate	FW300	1/2" washer - Gr. 8 Yellow
5528	Spur gear guard	OE74	Fiberglass seat with bracket
5529	Water valve housing	OE77	Cushion seat

# 5500 Main Body

( All models )

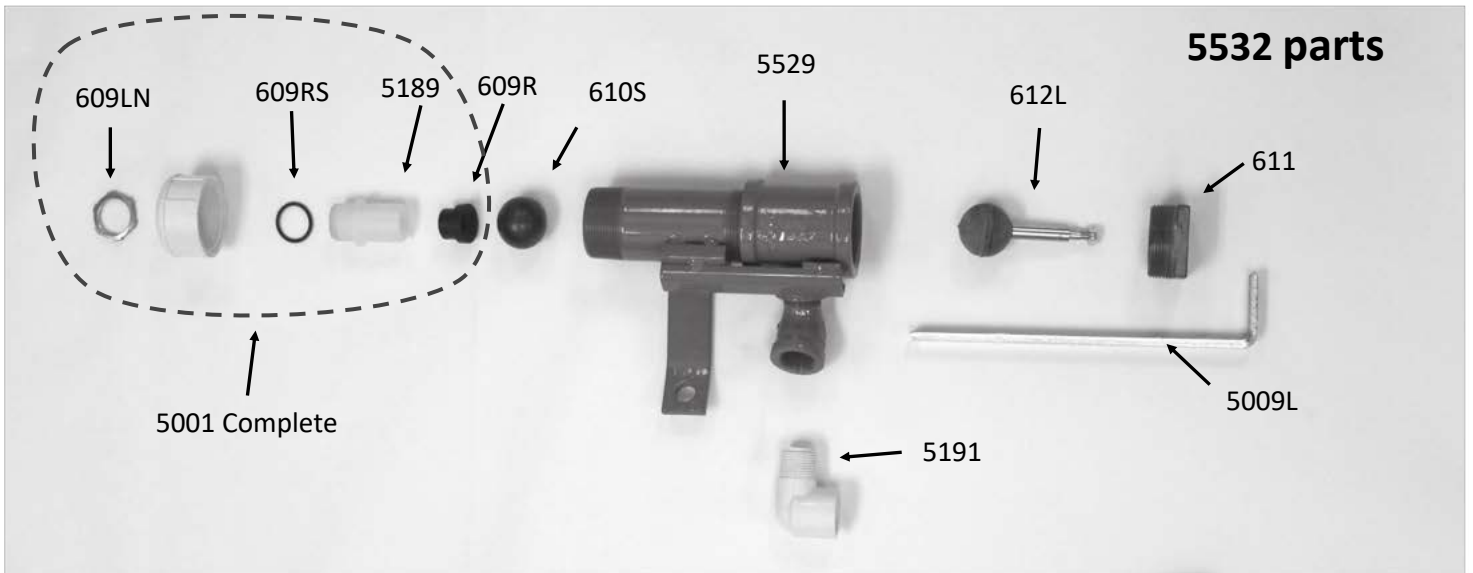
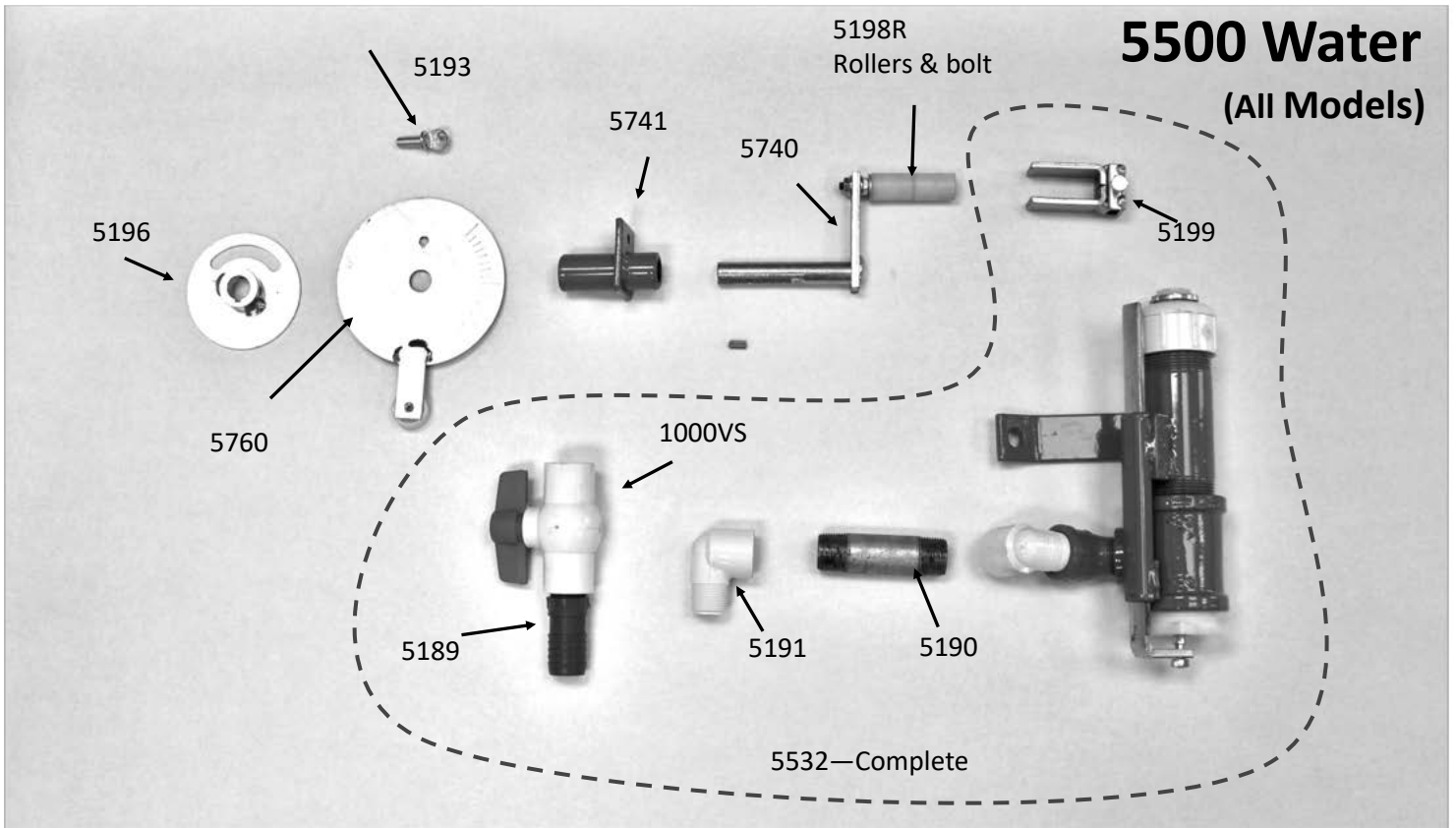


# 5500 Seats



# 5500 Shoes

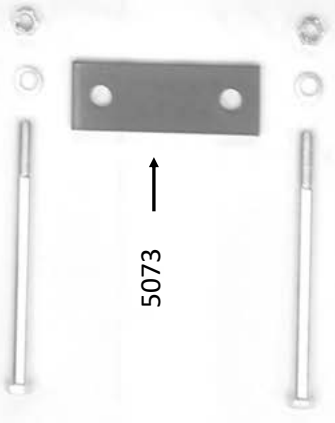




# 5500 Hitch (Models 5500, 5500W)



5063



5073

5149

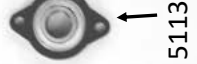
5063SP



15



5019



5113



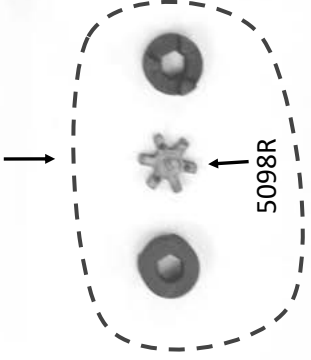
5517



5054



5516



5098HX

5098R

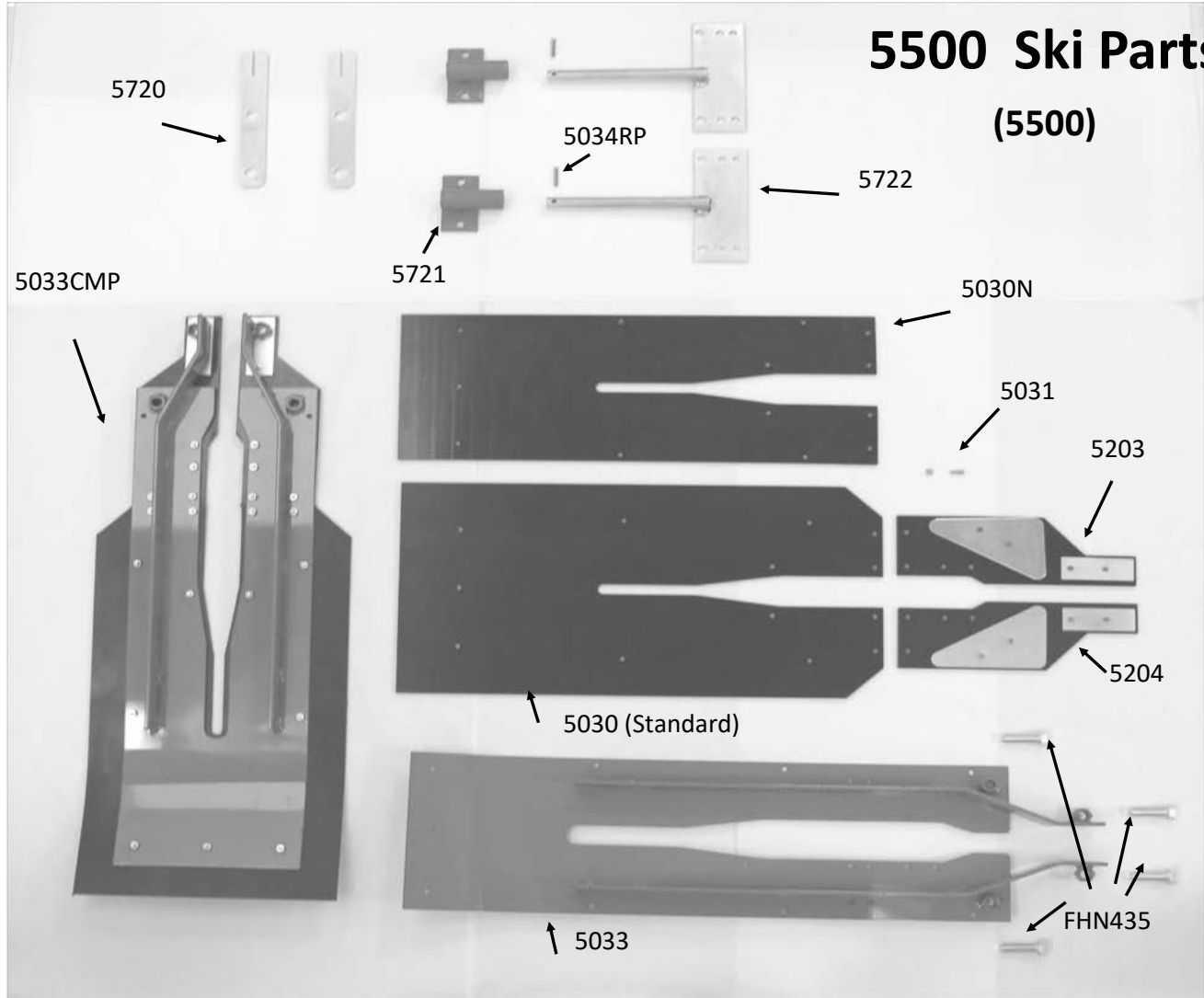
43



5074 HX (Per Foot)

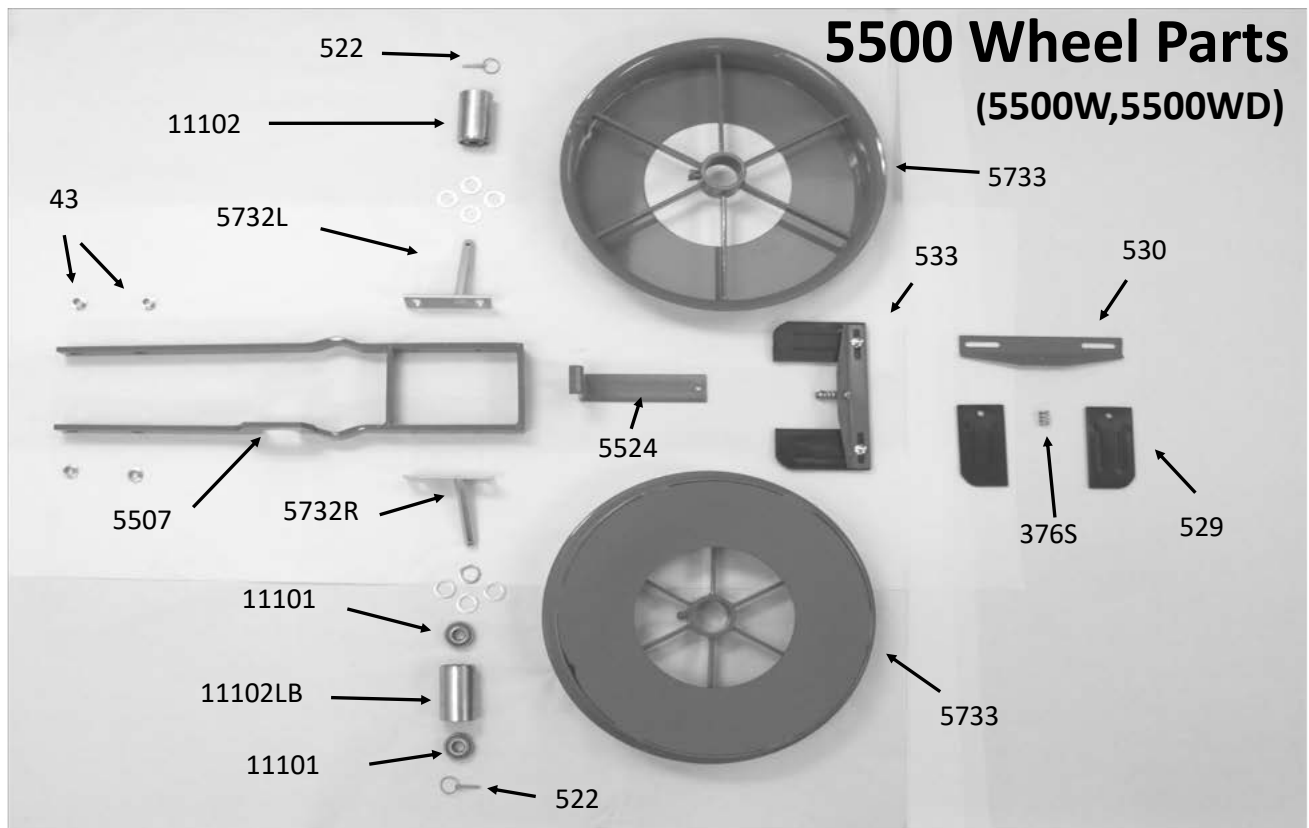
# 5500 Ski Parts

(5500)



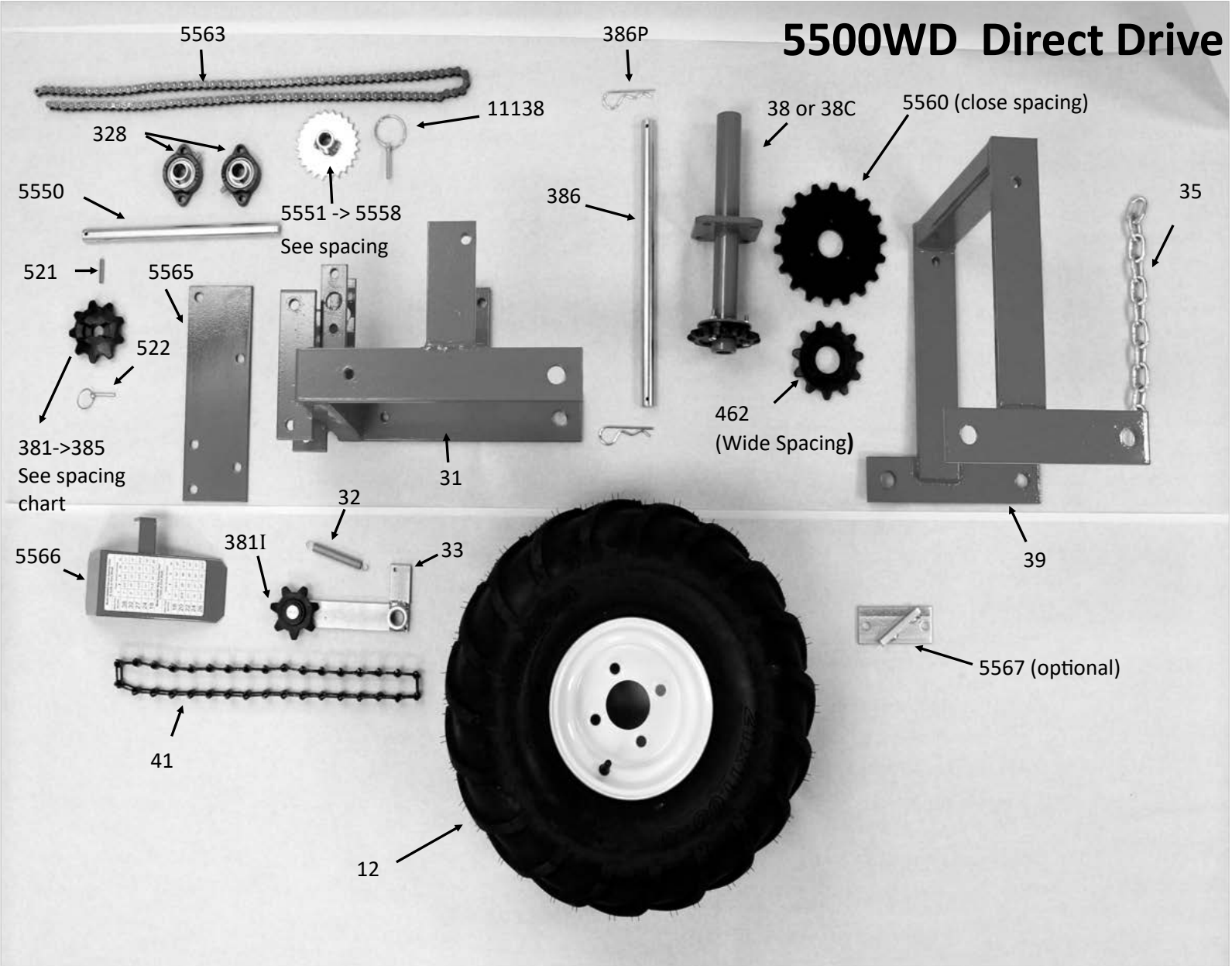
# 5500 Wheel Parts

(5500W,5500WD)

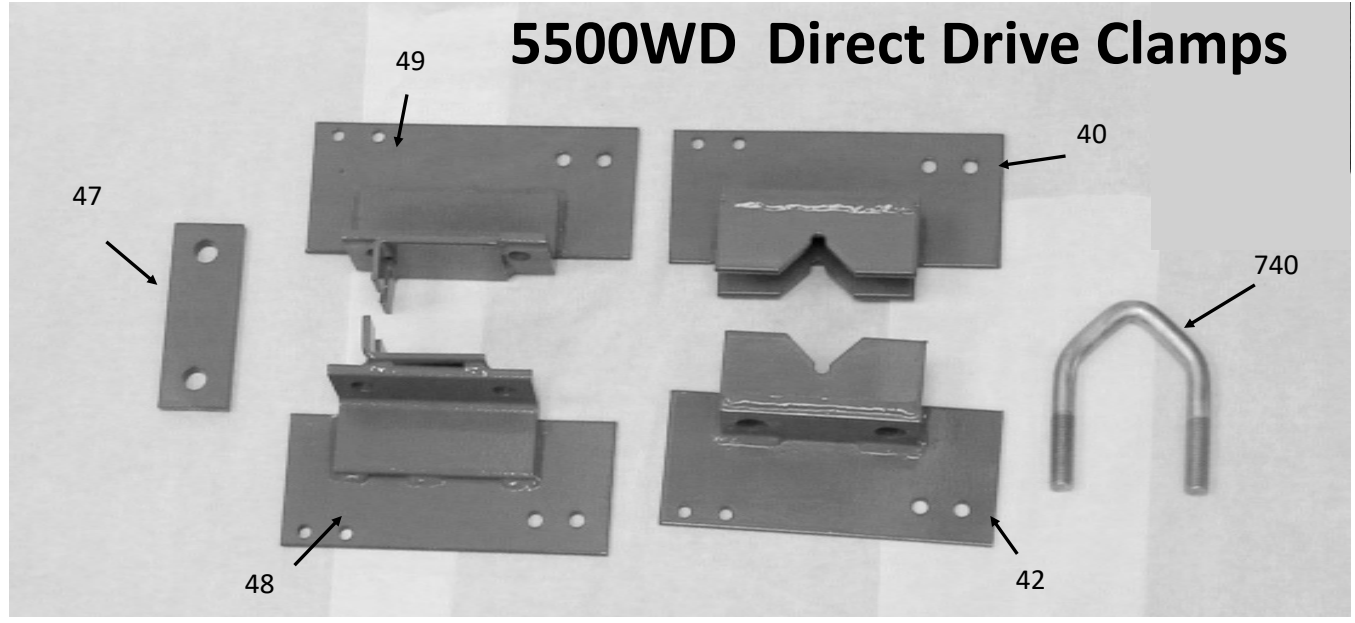




# 5500WD Direct Drive



# 5500WD Direct Drive Clamps





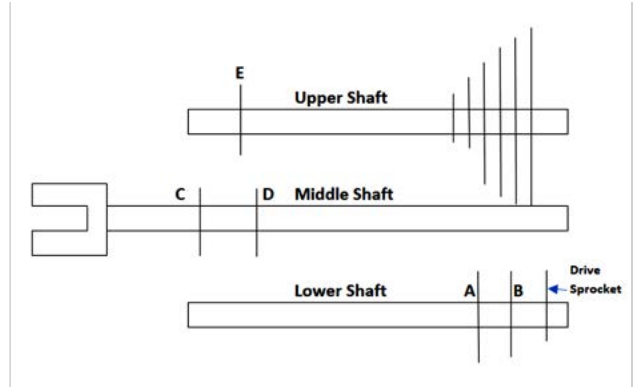
# 5500 SPACING CHARTS

(Models 5500, 5500W)

<b>Standard Spacing</b>	Use Sprocket Arrangement:
5-1/2"	A1D
6-1/2"	A2D
7-1/2"	A3D
8-1/2"	A4D
9"	A2C
9-1/2"	A5D
10-1/2"	A3C
10-3/4"	A6D
11"	B2D
12"	A4C
14"	A5C

<b>Wide Spacing</b>	Use Sprocket Arrangement:
9"	A1D
10-1/2"	A2D
13"	A3D
15"	A4D
16-1/2"	A5D
17-1/2"	A3C
18-1/2"	B2D
19-1/2"	A6D
20"	A4C
23"	B3D
24"	A5C

## Cluster Spacing



- \* To change cluster spacings, slide cluster over to align desired sprocket shown on chart either sprocket A or B.
- \* To change C or D spacing, move sprocket E over C or D

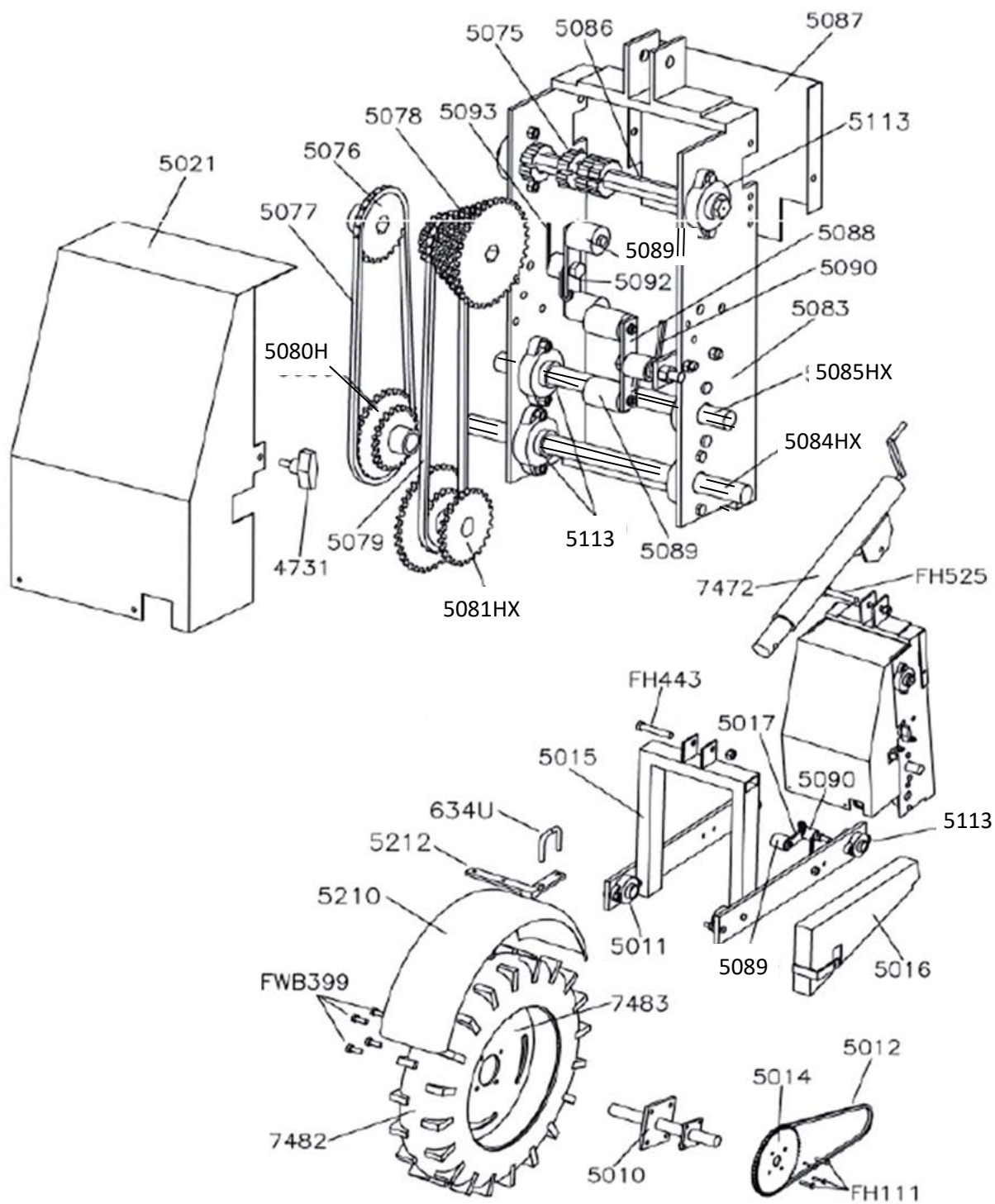
## MODEL 5500WD CLOSE SPACING CHART 18 TOOTH ON DRIVE WHEEL

Metal Plate Sprocket	Plastic Sprocket				
	7	8	9	10	11
38	7"	8-1/2"	9-1/2"	10"	11"
32	9"	10"	12"	13"	14"
27	11"	12-1/2"	13-1/2"	15"	16-1/2"
24	12"	13"	14"	17"	19"
18	16"	17-1/2"	20"	22-1/2"	26"

## MODEL 5500WD WIDE SPACING CHART 11 TOOTH ON DRIVE WHEEL

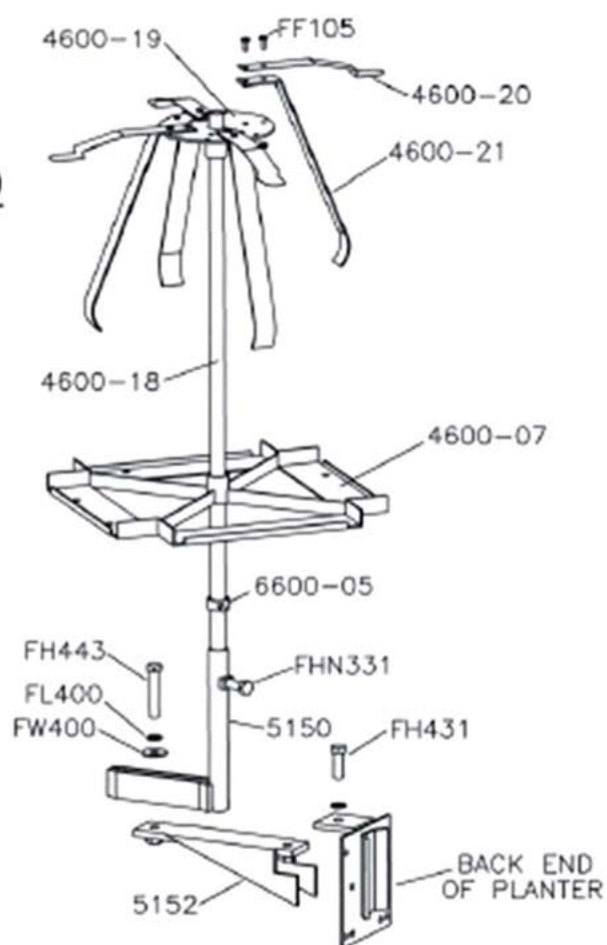
Metal Plate Sprocket	Plastic Sprocket			
	7	8	9	10
18	24"	28-1/2"	32"	35"
20	22-1/2"	26"	28"	31-1/2"
22	21"	23"	26"	30"
24	19"	21"	24"	27"
26	16-1/2"	20"	22"	24-1/2"



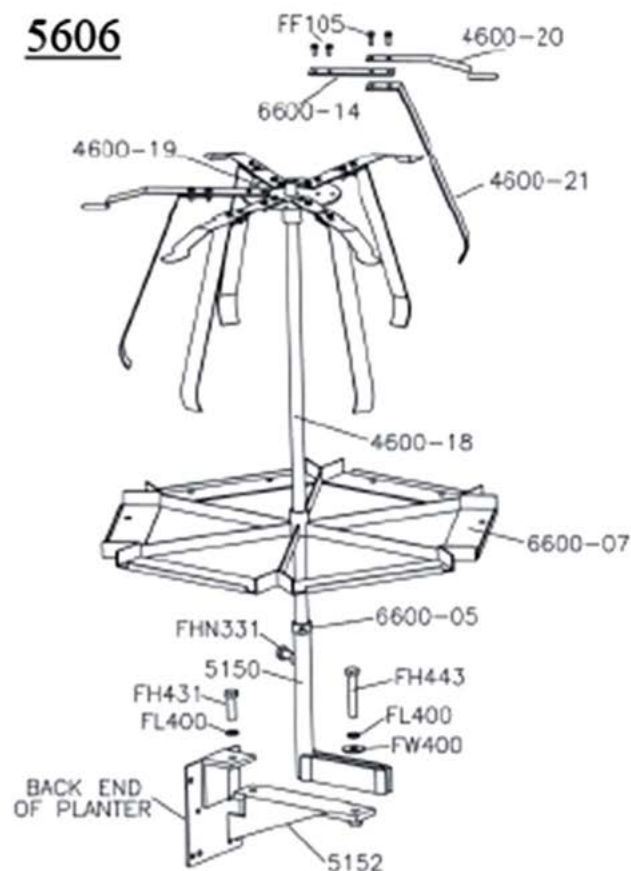


# Carrousel Tray Holders

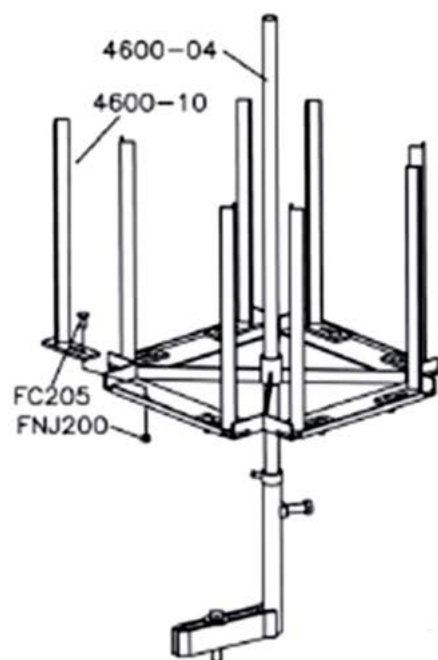
**5600**



**5606**



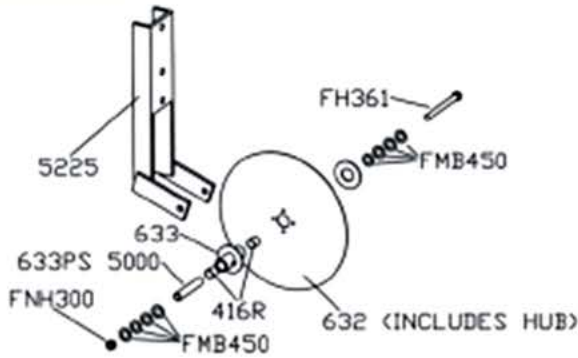
**5601**



4600-04	Plastic Tray Pipe
4600-07	4 Place Bottom Tray
4600-10	Plastic Tray Holder Arm
4600-18	Carrousel Pipe
4600-19	Top Disc
4600-20	Top Spring Plate
4600-21	Back Spring Plate
5150	Carrousel Arm
5152	Carrousel Base
6600-05	Carrousel Collar
6600-07	6 Place Bottom Tray
FC205	3/8x3/4" Carriage Bolt
FF105	1/4x3/4" Flange Bolt
FH431	5/8x2" Hex Head Bolt
FH443	5/8x3-1/2" Hex Head Bolt
FHN331	1/2x1" Nylon Hex Head Bolt
FL400	5/8" Lock Washer
FNJ200	3/8" Jam Nut
FW400	5/8" Flat Washer

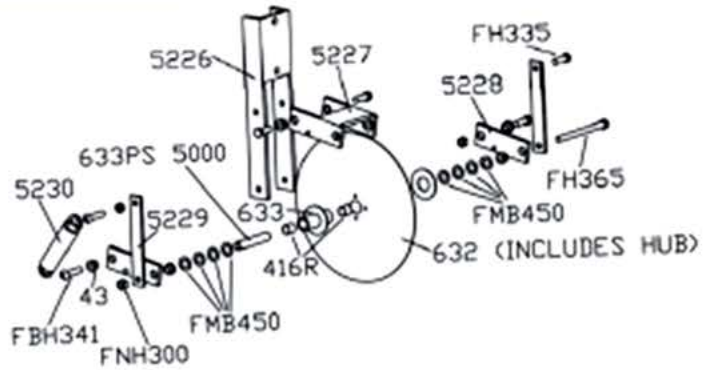
# Coulter Options

## OE 65 5000



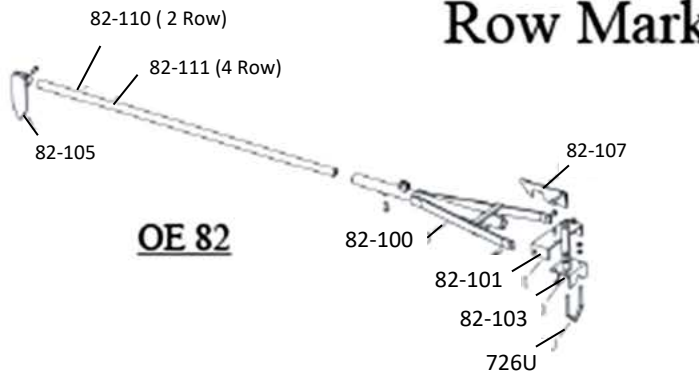
- 43 1/2" Bushing with Shoulder
- 416R 3/4" Bushing for Coulters
- 632 14" Coulter with Hub
- 633 Coulter Hub (Includes 416R's)
- 633PS 5000 Pipe Spacer
- 5225 Bracket for Rigid Coulter Assm.
- 5226 Bracket for Spring Loaded Coulter Assm.
- 5227 Top Scissor Arm

## OE 65 5000SP

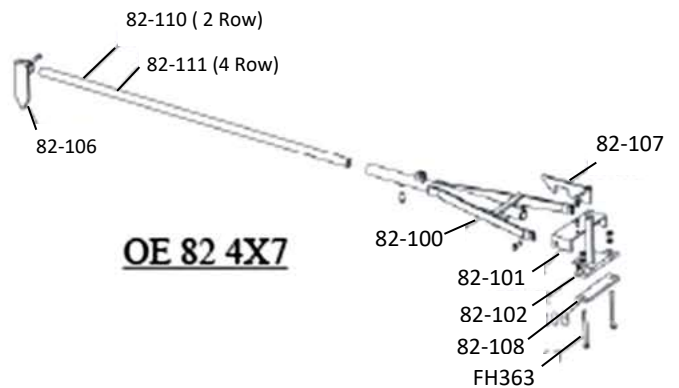


- 5228 Bottom Scissor Arm (ea)
- 5229 Back Leg for Scissor
- 5230 Coulter Spring
- FBH341 1/2x2-1/4" Button Head Bolt
- FH335 1/2x1-1/2" Hex Head Bolt
- FH361 1/2x5-1/2" Hex Head Bolt
- FH365 1/2x6-1/2" Hex Head Bolt
- FMB450 3/4" Machinery Bushing
- FNH300 1/2" Hex Nut

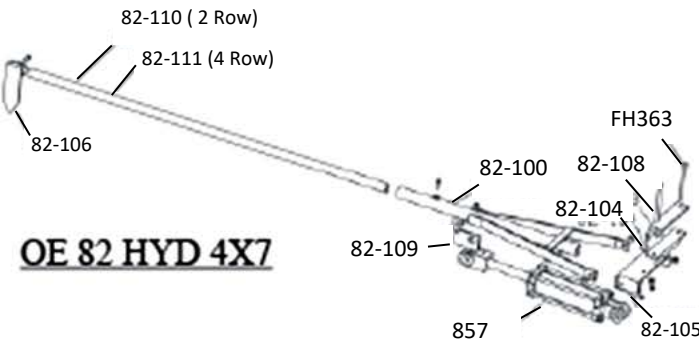
# Row Marker Options



## OE 82



## OE 82 4X7



## OE 82 HYD 4X7

- 82-100 A-Frame
- 82-101 Swivel Bracket
- 82-102 Latch Bracket for 4x7 Bar
- 82-103 Latch Bracket for Diamond Bar
- 82-104 Toolbar Mounting Bracket
- 82-105 Swivel with Cylinder Mount
- 82-106 Marker Point
- 82-107 Latch

- 82-108 1/2 x 2 x 9-1/8 Securing Plate
- 82-109 Cylinder Swivel
- 82-110 2-Row Pipe
- 82-111 4-Row Pipe
- 726U 1/2" U-Bolt for Toolbar Clamps
- 857 3 x 8" Hydraulic Cylinder
- FH363 1/2 x 6" Hex Head Bolt

## Safety Precautions

1. Make sure tractor is stopped and in neutral with the transplanter lowered to the ground before getting on /off the unit.
2. No operator is allowed to be on the unit as it is raised and lowered.
3. No operator is allowed on the transplanter as it is transported to or from the field.
4. All operators must be seated before movement begins and remain seated until the transplanter is completely stopped.
5. Never leave the transplanter in the raised position
6. Keep all shields and guards in place when operating the transplanter.
7. Never attempt repairs or maintenance while the transplanter is in motion.
8. Never put the tractor in reverse while the transplanter is on the ground.
9. Follow all safety instructions supplied by the tractor manufacturer to which the transplanter is mounted.

### **MACHINE IMPROVEMENTS**

***MECHANICAL TRANSPLANTER CO. IS ALWAYS STRIVING TO MAKE IMPROVEMENTS ON THEIR LINE OF EQUIPMENT. MECHANICAL TRANSPLANTERCO. RESERVES THE RIGHT TO MAKE IMPORVEMENTS AND CHANGES AT ANY TIME WITHOUT INCURRING OBLIGATIONS TO MAKE SUCH CHANGES OR ADDTIONS TO EQUIPMENT PREVIOUSLY SOLD.***

## Limited Warranty

Mechanical Transplanter Company, LLC warrants each item of new equipment manufactured by Mechanical to be free from defects in material and workmanship under normal use and service.

The obligation of Mechanical Transplanter Company, LLC under this LIMITED WARRENTY is limited to repairing or replacing as Mechanical may elect, any parts that prove, in Mechanical's judgement, to be defective in material and workmanship within the first season's use of 45 consecutive days after initially placing equipment in operation, whichever occurs first. Any outside work or alterations without Mechanical's written approval will render the LIMITED WARRANTY void.

Mechanical's obligation specifically excludes any liability for consequential damages, such as loss of profits, delays, expenses, damage to goods or property used in connection with or processed in or by the product sold, or damage to the product sold from whatsoever cause, whether or not such loss is due to negligence of selling dealer of Mechanical Transplanter Company, LLC.

This limited warranty shall not apply to any item or machine which shall have been operated in a manner not recommended by the Company nor which shall have been repaired, altered, misused, damaged in an accident, neglected, tampered with or used in any way which in the Company's opinion adversely affects its performance and results.

No person is authorized to give any other warranties or to assume any other liability on behalf of Mechanical Transplanter Company, LLC unless made in writing by Mechanical Transplanter Company, LLC.

This limited warranty covers repair or replacement of Mechanical's equipment only and does not cover crop loss, downtime, labor, damage to other equipment, etc.

This limited warranty does not apply to exterior finishes, tires, chain links, bearings, or any other items sold by Mechanical Transplanter Company, LLC, but warranted by the original manufacturer except to the extent of their individual manufacturer's warranty.

THIS LIMITED WARRANTY IS IN LIEU OF ALL OTHER WARRANTIES, EXPRESSED OR IMPLIED. WARRANTIES OF MERCHANT ABILITY AND FITNESS FOR PARTICULAR PURPOSE ARE EXCLUDED, AS ARE ALL OTHER REPRESENTATIONS TO THE USER-PURCHASER, AND ALL OTHER OBLIGATIONS OR LIABILITIES, INCLUDING LIABILTY FOR INCIDENTAL AND CONSEQUENTIAL DAMAGES, ON THE PART OF MECHANICAL OR THE SELLER.