

Mechanical Transplanter

Parts List and Operating Manual

For Models 22, 22C, 122, 222, 1000,
and the Float Wheel Direct Drive System

10--Inside chain guard	392--Hose Clamp	530--Scraper mounting bracket
11--63 Link direct drive chain	393--Hose nipple	533--Wheel scraper complete
12--Direct tire & rim	394--Water hose 1" (per ft.)	Water Valve Parts
14--Outside chain guard	395--Blunt point 7" shoe	600--Water valve complete
15--Chain guard clip pin	395 6"--6" Round point shoe	602--1-1/4" U-bolt (before '88)
16--3/8" U-bolt w/nuts	395 8"--8" Round point shoe	602-89--1-1/4" U-bolt w/nuts (after 1988)
18--Unit chain tightener bracket	395 8P--Poly 8" shoe	602C-- U-bolt clamp
19--Chain tightener pipe bearing - short	395R 9--9" Round point shoe	603--Water valve rocker & cam
22--Unit chain tightener arm	395 CT5SP--Shoe point for CT-4,CT-5 & CT-8	603W--Washer for water cam spring
22AL--Left axle for 22 planter	395R--7" Round point shoe	603D--#603 for pocket disc
22AR--Right axle for 22 planter	395RP--Poly 7" shoe	604--Water adjustment bracket (before '88)
23--Washer to hold spring	395RPK--Poly kit for round point shoe	604-89--Water adjustment bracket (after '88)
24--Chain tightener pipe bearing - long	396 10--10 Pocket disc (with 407's)	605L--Water trip rod (after 2000)
26--Pipe spacer	396 8--8 Pocket disc (with 407's)	606--1-1/4" Valve housing w/tee (before '88)
27--Sprocket jackshaft	396D--Disc less pockets for 8 or 10 pockets	606-89--1-1/2" Water pump housing(after '88)
30--Wheel chain tightener pipe bearing	396D 12--Disc less pockets for 12 pockets.....	607--Water trip spring (before '88)
31--Drive frame of unit end	400 24"--24" Corrugated hose	607L--Long water trip spring
32--Wheel chain tightener spring	400 36"--36" Corrugated hose	608--1-1/4" Cap w/air vent
32S--Steel drive chain (21 Links)	407--Roller water trip	609--Cap w/rubber seat (before '88)
32F--Steel drive chain (per ft.)	408--Dirt shield	609-89--1-1/2" Cap w/rubber seat after '88
33--Wheel chain tightener arm	408DD--Double disc shoe dirt shield	610--Air valve float ball (before '88)
35--Lift chain	411--R-2 spring assembly	610S--Solid air valve float ball (after '88)
38--Wheel hub w/sprocket	411S--Screw for R-2 spring	611--Nylon water valve seat
39--Drive frame of toolbar end	415--Sprocket drive pins	612--Ball w/brass pin (before 2000)
40--Left clamp less U-bolt	415L--Longer sprocket pin	612L--Ball with brass pin (after 2000)
41--34 Link direct drive chain	416--3/4" Oilite bearing	613--Water valve spout
42--Right clamp less U-bolt	416R--3/4" Reamed out bearing for coulters....	614--Brass air vent before '88
43--Bushing for clamp	419--1/2" Pin for 420R & 421L tighteners	616--#603 Cam spring before '88
44--Chain lift plate	420R--Chain tightener RH	616S--#603 Cam spring to use with 603W
45--Left 4x7 direct drive clamp	421L--Chain tightener LH	630--60 Gallon barrel hoop (each)
46--Right 4x7 direct drive clamp	422--Yoke for marker pipe	632--14" Coulters blade w/bearing
47--Plate for 4x7 direct drive clamp	423--Spring hook for markers	632-12--12" Coulters blade with hub
51S--Steel drive chain (per ft.)	424--Upper sprocket bearing	633--Coulters blade hub
328--3/4" Flange block bearing	428--Top bracket for uprights	633PS--Coulters pipe spacer (3-5/8")
329--Pipe spacer between uprights	430--Scraper mounting bracket	634--Cultivator tooth only
334S--Guide for pocket (disc)	433--Wheel scraper complete	634U--Cultivator U-bolt
347--3/4" Lower sprocket shaft before 1983	434--7/8" Oilite wheel bearing	635--Cultivator/gauge wheel clamp
348--3/4" Shaft w/4 holes (rear drive)	435--Gauge wheel bearing	637--Fiberglass seat bracket
348DD--3/4" Lower shaft for direct drive	436B--L-bolt for pocket guides	638--Jack for trailer tongues
355--Lower sprocket	436DRL--Disc pocket guides (pair)	639--Packing wheel w/sprocket
355T--Top sprocket for Model 1000	436RL--Reg. pocket guides (pair)	639L--Direct drive packing wheel l/sprocket
355DD--14 Tooth sprocket for direct drive	436RLX--Model 1000 guides	639W--Wide packing wheel w/sprocket
356--7/8" Packing wheel axle (before '90)	440--Spring with rollers	639A--Adjustable packing wheel & hub
356C--Packer wheel axle cotter pin	445--Double neoprene gripper	639AH--Adjustable packing wheel hub
362--Nylon bushing for lower shaft	450--Pocket frame	639AL--Adjustable packing wheel l/hub
373--Chain tightener spring	452--Pocket attaching bolt	639WAL--Wide adjustable packing wheel l/hub
374S--Pocket attachment link	452D--Bolt to attach pocket to #396 disc	639AHDD--Direct drive adjustable hub
375--Water trip	453--1/4x2" Upright after 1992	640--Wide plant box (16") (each)
375W--Water trip washer	454--Galvanized spring holder	640N--Narrow plant box (13") (each)
376--Tension spring (8 pocket)	460N--Floating clamp for #22C	641--Wide plant stand (each)
376S--Tension spring (10 & 12 pocket)	460N 4x7--Floating clamp for 4x7	641N--Narrow plant stand
377S 6--Chain for 6 pocket chain	460R--Floating clamp for #22	642--Plastic cover for #605
377S 8--Chain for 8 pocket chain	461--J-bolt for wheel sprocket	643--Clamps for row knockers
377S 10--Chain for 10 pocket chain	462--11 Tooth wheel sprocket	643 4x7--Clamp for 4x7 row knocker.....
377S 12--Chain for 12 pocket chain	470--Hitch pin w/clip pin	643T--Clamp for 2-1/2" row knocker
379--Upper conveyor sprocket	471--1-1/4" Tank hose for #800	649R--Rear Shoe Brace for 395R
380--Upper sprocket shaft	471R--#471 Hose reducer on Model 800.....	649F--Front Shoe Brace for 395R
380T--Top sprocket shaft (after 1992)	482--Cube extension for pocket	649D--Diagonal Shoe Brace for 395R
381 6--6 Tooth spacing sprocket	520--Chain tightener arms.....	649DDR--Rear Shoe Brace for Double Disc
381--7 Tooth spacing sprocket	520C--Tightener conversion kit	654--604 Roller Assembly
382--8 Tooth spacing sprocket	521--Roll pin	658--Row Knocker Blade Only
383--9 Tooth spacing sprocket	522--Clip pin	659--OE 65 bracket only
384 --10 Tooth spacing sprocket	523--Clevis pin for 520 arm	660--OE 64 bracket only
385--11 Tooth spacing sprocket	524--Cotter pin.....	661--Left Side Arm of OE 71
386P--Shaft clip pin	529--Scraper blade (ea)	662--Right Side Arm of OE 71
386--Direct drive (drawbar) shaft	529W--Wide wheel scraper blade	663--Left Bracket for OE 78
387--Marker blade	529WP--Wide wheel scraper plastic only.....	664--Right Bracket for OE 78

- 665--Gauge Wheel
- 666--Gauge Wheel Rim Only
- 667--OE 62 Bracket Only
- 668--B855 Barrel Mounting Holder
- 669--B850 Barrel Mounting Holder
- 673--OE 65 1000 Bracket Only.....
- 715--3/8" U-bolt for D.D. and coulters
- 720--3/8" Rect. Bend U-Bolt for water feeder
- 725--1/2" U-Bolt for OE-78 Clamps & Cult.
- 726--L Seat Bracket (after 1983)
- 726U--1/2" U-bolt for toolbar clamps
- 727--1/2" U Bolt for L-Seat Bracket
- 735--3/4" U Bolt for 460N Clamp
- 740--7/8" U Bolt for A-Frames, 1000 & 6000 ..
- 837--5/16" J-bolts for Barrel Straps
- 837L--5/16" Lg. J-Bolt for foot rest & 800
- 1000AL--Axle for #1000 - Left Side
- 1000AR--Axle for #1000 - Right Side
- 1000B--Double Disc Bearing(before 1992)
- 1000BJD--Double Disc Bearing(after 1992)
- 1000DDS--Double Disc Shoe w/discs
- 1000DDSCMP--Double Disc Complete w/braces and dirt shield
- 1000DDSP--Poly Double Disc Shoe w/discs ...
- 1000DDSPCMP--Poly Double Disc Complete w/braces and dirt shield
- 1000DDSPK--Poly Kit for DD Shoe
- 1000HC--Double Disc Hub Cap
- 1000JD--Double Disc with Hub.....
- 1000JDH--Hub with Fasteners for 1000JD.....
- 1000P--Single Thread Nipple
- 1000PF--Planter Frame for #1000
- 1000PS--3/4" Close Nipple.....

- 1000S--Double Disc Shoe less Discs
- 1000SP--Poly Double Disc Shoe less Discs
- 1000SS--Double Disc Shoe Spacer
- 1000VS--Water Valve Shut Off

Pockets

- V-3-6-8-10--Pocket Complete W/Separating Bar (Nylon Rollers)
- V-3D--Pocket Complete Less Separating Bar W/Nylon Rollers
- SP-6-8-10--Separating Bar for 6, 8, 10 or 12 Pocket Chain
- CA-6--6 Pocket Chain Complete w/water
- CA-8--8 Pocket Chain Complete w/ water
- CA-10--10 Pocket Chain Complete w/water ...
- CA-12--12 Pocket Chain Complete w/water ...
- R-2--Nprne. Gripper for All R-2 Pockets
- WF--Fasteners w/Screws for R-2 Pckts (pr) D,6,8 or 10 R-2--Pckt Cpte. (prior to 61)*
- 24-R-2--Pocket for 24 Pocket Bed Planter

Changeover Kits From Chain To Disc

- CDWO 8--8 Pocket Kit W/O Pockets
- CDW 8--8 Pocket Kit W/Pockets
- CDWO 10--10 Pocket Kit W/O Pockets
- CDW 10--10 Pocket Kit W/Pockets

From Disc To Chain

- DCW 8--8 Pocket Kit W/Pockets
- DCW 10--10 Pocket Kit W/Pockets

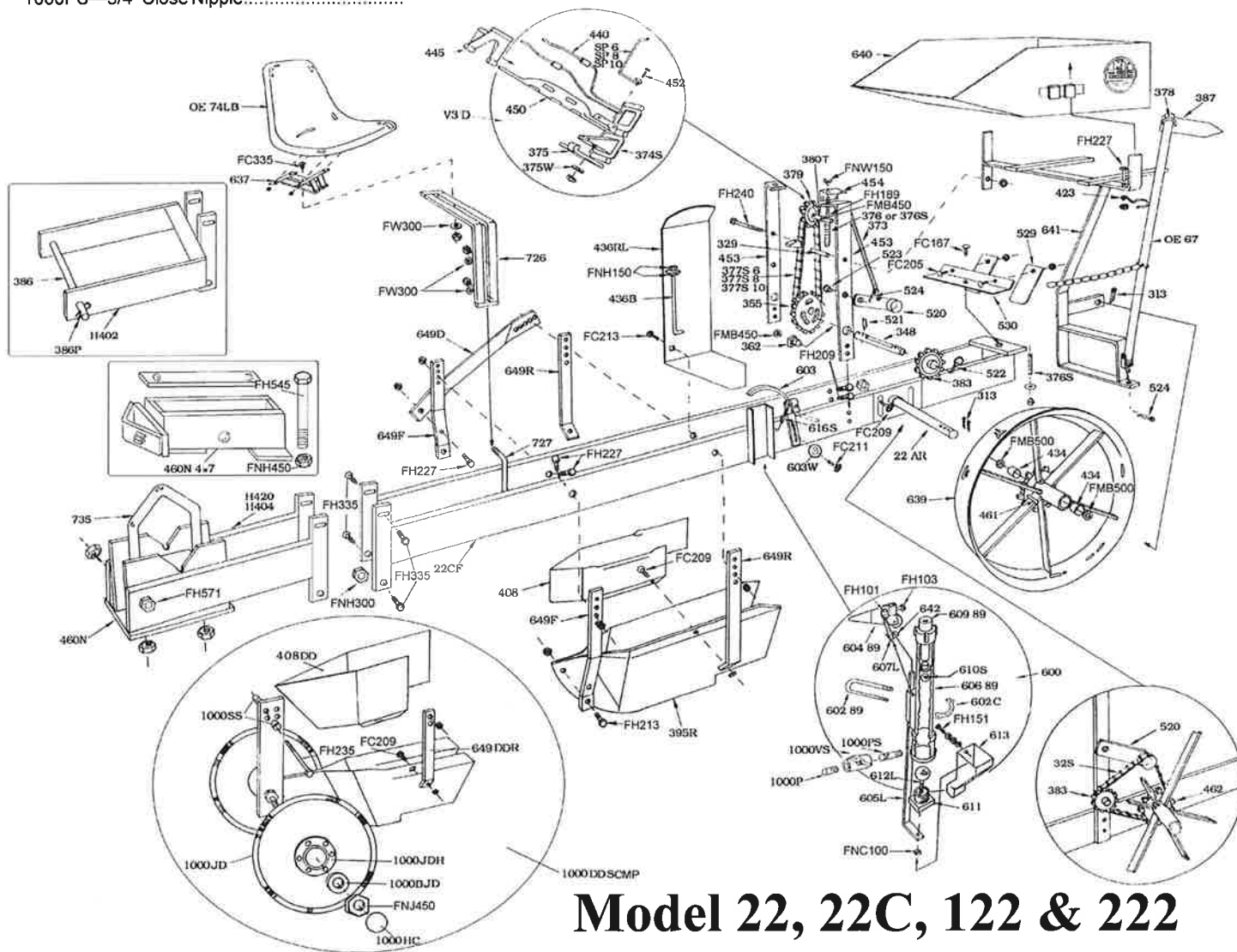
MT A Frame Parts

- MT AA--A Frame Top Spacer
- MT AB--A Frame Right Upright
- MT AC--A Frame Left Upright

- MT AE--A Frame Righ Bracket
- MT AF--A Frame Left Bracket
- MT AG--Cat. I Pin
- MT AG2--Cat II Pin (NS)

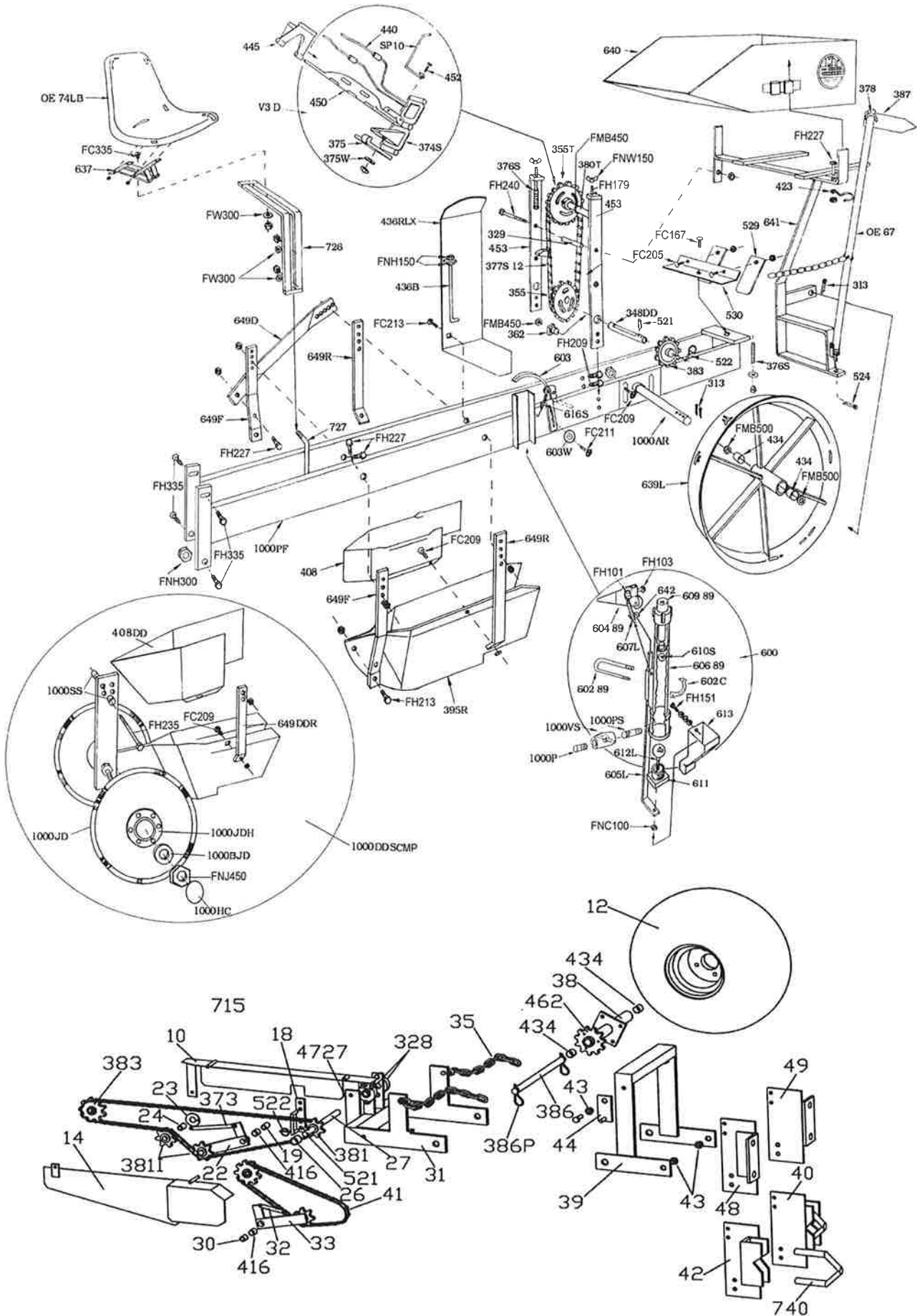
FASTENERS

- FC167--5/16x2" Carriage bolt.....
- FC205--3/8x3/4" Carriage bolt.....
- FC209--3/8x1" Carriage bolt.....
- FC211--3/8x1-1/4" Carriage bolt.....
- FC213--3/8x1-1/2" Carriage bolt.....
- FC335--1/2x1-1/2" Carriage bolt.....
- FH101--1/4x1/2" Hex head cap screw.....
- FH103--1/4x5/8" Hex head cap screw.....
- FH151--5/16x1/2" Hex head cap screw.....
- FH189--5/16x5-1/2" Hex head cap screw.....
- FH209--3/8x1" Hex head cap screw.....
- FH213--3/8x1-1/2" Hex head cap screw.....
- FH227--3/8x3-1/4" Hex head cap screw.....
- FH235--3/8x4-1/2" Hex head cap screw.....
- FH240--3/8x5-1/2" Hex head cap screw (sp).....
- FH335--1/2x1-1/2" Hex head cap screw.....
- FH545--3/4x9" Hex head cap screw.....
- FH571--7/8x4-1/2" Hex head cap screw.....
- FMB450--3/4" Machinery bushing.....
- FMB500--7/8" Machinery bushing.....
- FNC100--1/4" Centerlock hex nut.....
- FNH300--1/2" Finished hex nut.....
- FNH450--3/4" Finished hex nut.....
- FNJ450--3/4" Jam nut.....
- FNW150--5/16" Wing nut.....
- FW300--1/2" USS flat washer.....

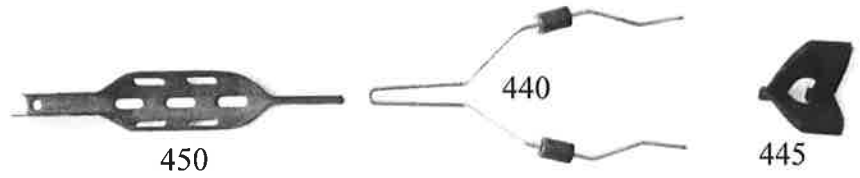


Model 22, 22C, 122 & 222

Model 1000



V3 Style Pockets

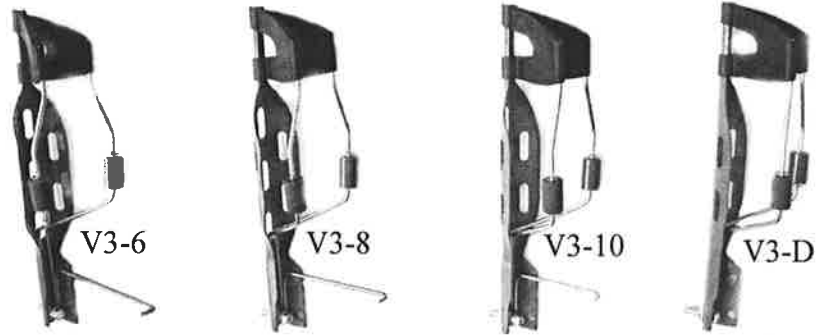


The V3-6 and SP-6 are used on 6 pocket chains

The V3-8 and SP-8 are used on 8 pocket chains.

The V3-10 and SP-10 are used on 10 and 12 pocket chains.

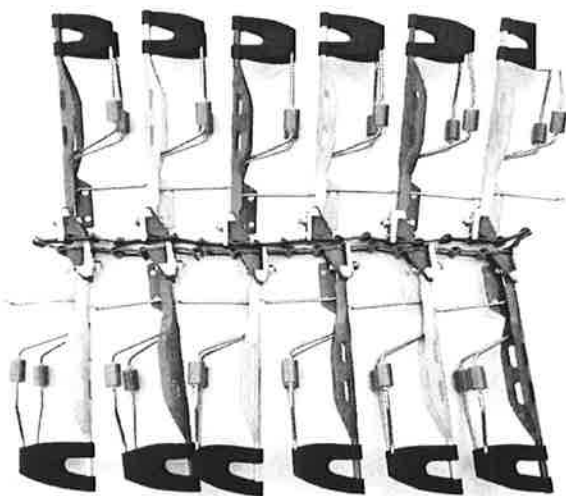
The V3-D is used on disc units or used to replace pockets that do not need new spacing bars.



SP-6

SP-8

SP-10
(Used on 10 & 12 pocket chains)

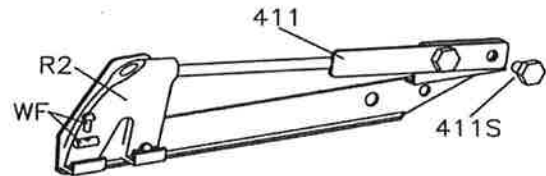


CA-12

6, 8, or 10 pocket chains are used on Models 22, 22C and 122. These models are driven off from the rear packing wheels.

12 pocket chains (pictured on left) are used on th Model 1000 which is driven from the front Direct Drive tire.

R2 STYLE POCKET



- Specify Number of Pocket on Unit.
- DR-2, 6R-2, 8R-2, 10R-2, were used on units prior to 1961.
- 24R-2 are currently used on Model 500 & 525 Bed Planter Units.

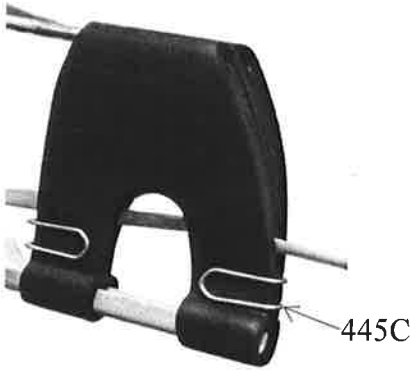
SPACING CHART FOR DIRECT DRIVE UNIT W/ 12 POCKET CHAIN						
Sprocket on OUTSIDE of Jackshaft	Sprocket on INSIDE of Jackshaft	Number of Teeth on Sprocket on Unit				
		7	8	9	10	11
7	11	6" 15.2cm	6-1/2-7" 17.8cm	7-1/2-8" 20.3cm	8-1/2" 21.6cm	9" 22.8cm
7	7	9" 22.8cm	10-1/2" 26.7cm	13" 33cm	15" 38.1cm	16" 40.6cm
8	7	10-1/2" 26.7cm	12-1/2" 31.7cm	14" 35.5cm	15" 38.1cm	16" 40.6cm
9	7	12" 30.5cm	13-1/2" 34.3cm	15" 38.1cm	17" 43.2cm	18-1/2" 47cm
10	7	13" 33cm	14" 35.5cm	15-1/2" 39.4cm	17-1/2" 44.5cm	20-1/2" 52cm
11	7	15" 38.1cm	18" 45.7cm			

Double any of the above spacings by using every other pocket (6 pocket).
Make sure HITCH and UNIT are level or parallel to the ground when planting.

CHAIN SPACING CHART FOR REAR DRIVE UNITS					
No. of teeth on sprocket	7	8	9	10	11
No. of pockets on chain	Sets	Sets	Sets	Sets	Sets
10 Pockets	12" 30.48cm	14" 35.56cm	16" 40.64cm	18" 45.72cm	20" 50.8cm
8 Pockets	16" 40.64cm	18" 45.72cm	20" 50.8cm	22" 55.88cm	24" 60.96cm
6 Pockets	20" 50.8cm	22" 55.88cm	24" 60.96cm	26" 66.04cm	28" 71.12cm
5 Pockets	24" 60.96cm	28" 71.12cm	32" 81.28cm	36" 91.44cm	40" 101.6cm
4 Pockets	32" 81.28cm	36" 91.44cm	40" 101.6cm	44" 111.76cm	48" 121.92cm
3 Pockets	40" 101.6cm	44" 111.76cm	48" 121.92cm	52" 132.08cm	56" 142.24cm
2 Pockets	64" 162.56cm	72" 182.88cm	80" 203.2cm	88" 223.52cm	96" 243.84cm

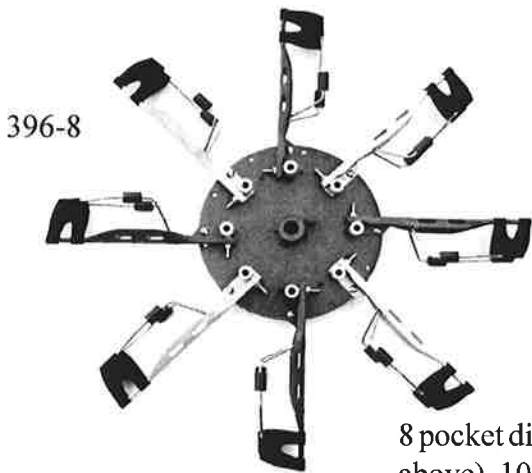
Use for Models 22, 22C, 33, 122, 222, & CT-5

Use for Models 1000 & 33-6000

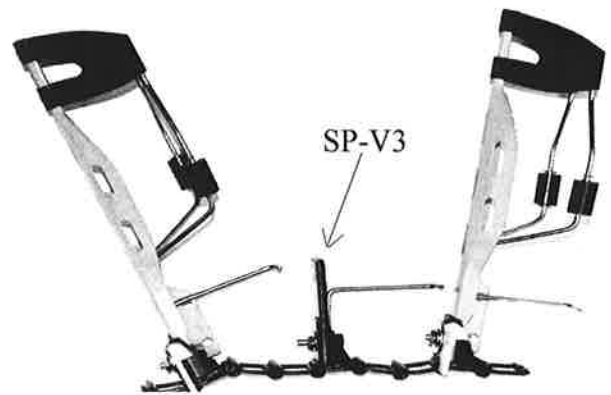


445C Gripper Clip
Eliminates gap at the V of the gripper for small stemmed plants. Requires two clips per pocket.

482 Cube Extension for cell type plants. Consists of the U-shaped spring wire, washer, bolt and nut.



8 pocket discs (shown above), 10 pocket, and 12 pocket discs use the V3 style pocket. 16, 20 and 24 pocket discs use the R2 style pocket.



SP-V3 SPACING BAR SUPPORT
For a 12 pocket chain being used as 6 pocket chain (Model 1000)

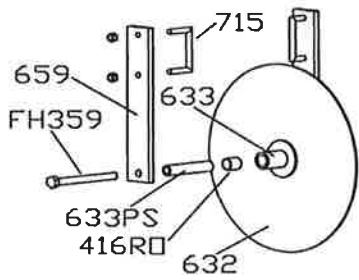
DISC SPACING CHART FOR MODELS W/ DIRECT DRIVE							
Sprocket on OUTSIDE of Jackshaft	Sprocket on INSIDE of Jackshaft	Number of Pockets on the Disc	Number of Teeth on Sprocket by Disc				
			7	8	9	10	11
7	7	24		2"	2-1/4"	2-1/2"	2-3/4"
		16	3"	3-1/4"	3-1/2"	4"	4-1/2"
		12		4-3/4"	5-1/4"	5-3/4"	6-1/4"
8	7	24		2-1/2"	3"	3-1/4"	3-1/2"
		16	3-1/2"	3-3/4"	4-1/4"	4-1/2"	5-1/4"
		12		6"	6-1/4"	6-3/4"	7"
9	7	24	2-1/2"	2-3/4"	3-1/4"	3-1/2"	4"
		16	3-3/4"	4-1/4"	4-1/2"	5"	5-1/2"
		12	4-1/2"	6-1/4"	6-1/2"	7-1/4"	8"
10	7	24	2-1/2"	3"	3-1/2"	3-3/4"	4-1/2"
		16	3-3/4"	4-1/2"	5-1/4"		
		12	5-1/4"	6"	7"	7-1/2"	8-1/2"
11	7	24	2-1/2"	3"	3-1/2"	4-1/4"	4-3/4"
		16	4"	5"	6"		
		12	5-1/2"	6-1/2"	7-1/2"	9"	10"

Use for Models 525, 1000, & 33-6000 with disc mounted pockets

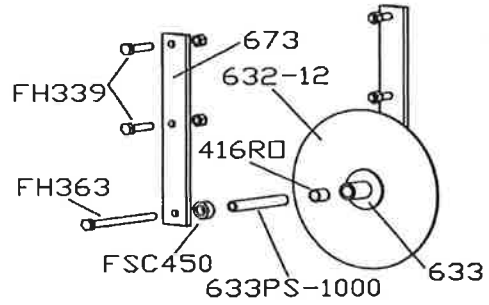
DISC SPACING CHART FOR REAR DRIVE UNITS					
No. of teeth on sprocket	7	8	9	10	11
No. of pockets on disc	Sets	Sets	Sets	Sets	Sets
24 R-2 Pockets	2" 5.08cm	2-1/2" 6.35cm	3" 7.62cm	3-1/2" 8.89cm	4" 10.16cm
20 R-2 Pockets	3" 7.62cm	3-1/2" 8.89cm	4" 10.16cm	4-1/2" 11.43cm	5" 12.7cm
16 R-2 Pockets	4" 10.16cm	4-1/2" 11.43cm	5" 12.7cm	5-1/2" 13.97cm	6" 15.24cm
12 V-3 Pockets	4-1/2" 11.43cm	5" 12.7cm	5-1/2" 13.97cm	6" 15.24cm	6-1/2" 16.51cm
10 V-3 Pockets	5-1/2" 13.97cm	6-1/4" 15.875cm	7" 17.78cm	7-3/4" 19.685cm	8-1/2" 21.59cm
8 V-3 Pockets	7" 17.78cm	7-3/4" 19.685cm	8-1/2" 21.59cm	9-1/4" 23.495cm	10" 25.4cm
6 V-3 Pockets	9" 22.86cm	10" 25.4cm	11" 27.94cm	12" 30.48cm	13" 33.02cm
5 V-3 Pockets	11" 27.94cm	12-1/2" 31.75cm	14" 35.56cm	15-1/2" 39.37cm	17" 43.18cm
4 V-3 Pockets	14" 35.56cm	15-1/2" 39.37cm	17" 43.18cm	18-1/2" 46.99cm	20" 50.8cm
3 V-3 Pockets	18" 45.72cm	20" 50.8cm	22" 55.88cm	24" 60.96cm	26" 66.04cm

Use for Models 122, 22, 22C, 222, 33, SU-3, & 500

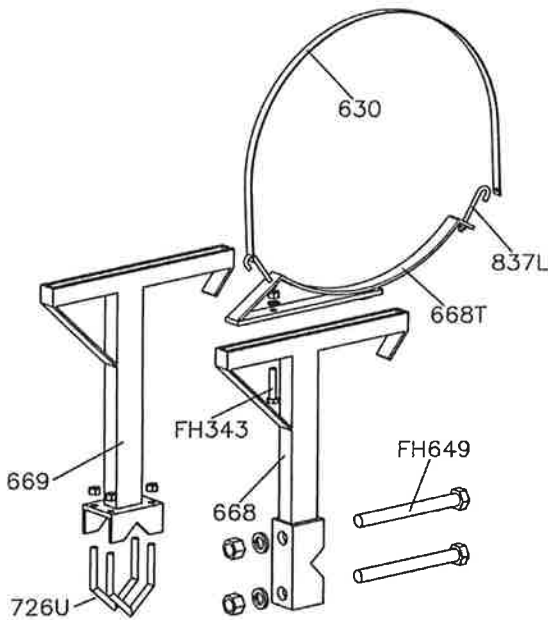
Optional Equipment



OE-65 Single Disc Opener Assembly
for Models 22C & 122

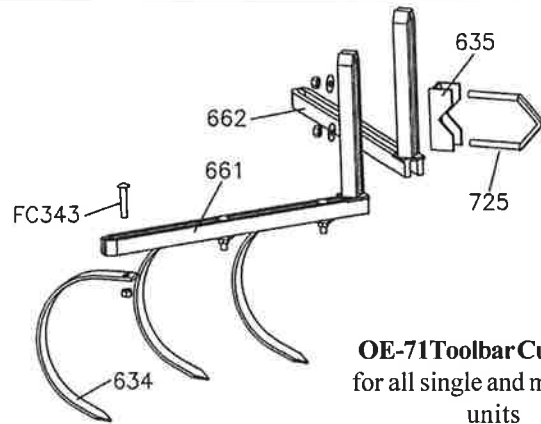


OE-65-1000 Single Disc Opener Assembly
for the Model 1000

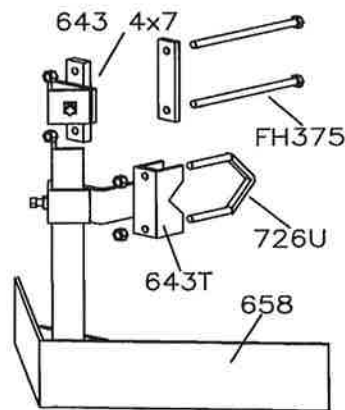


B850 Toolbar Barrel Mount
for non Direct Drive units
(Models 22C & 122)

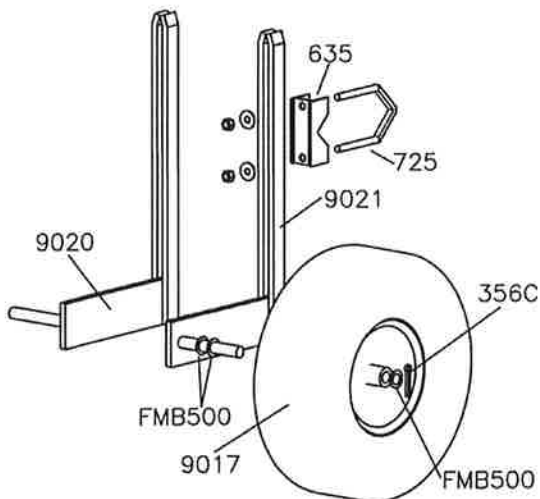
B855 Toolbar Barrel Mount
for Direct Drive units
(Model 1000)



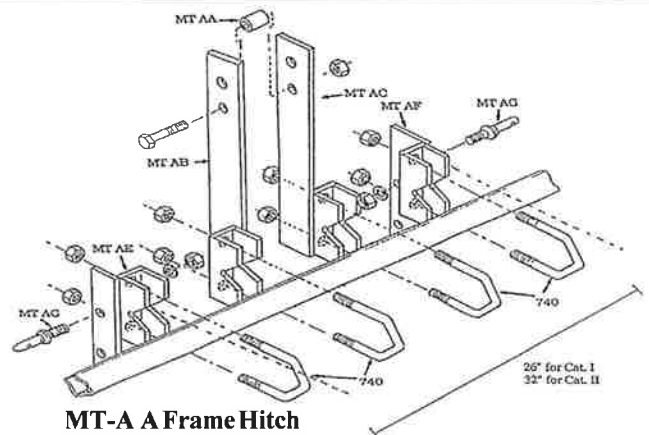
OE-71 Toolbar Cultivator
for all single and multi-row
units



OE-66T Row Knocker
for 2-1/2" diamond toolbar
OE-66 4x7 Row Knocker
for 4x7" toolbar



OE-78 Toolbar Gauge Wheels



MT-A A Frame Hitch

26" for Cat. I
32" for Cat. II

General Operating and Maintenance Instructions

REGULATING PLANT SETTING DEPTH: All new operators should take care to see that the plants are placed well down in the pockets so that the plant is held firmly. The depth for setting of plants can be regulated by the distance that root is extended out of the pocket.

CHAIN UNITS: Make sure the upper conveyor sprocket isn't over tightened, causing the chain to become stretched between the upper and lower sprockets. This will put unnecessary friction on the unit perhaps causing the packing wheels to slip on rear drive units. Tighten the wing nuts equally so the chain runs level.

ADJUSTING AND SETTING SHOE: Whenever any adjustment is made, be sure to get the shoe directly square and straight in front of the opening of the wheels so the pockets travel through the middle of the shoe. The shoe can be adjusted ahead or back with brace fastened on the right side of the unit frame. In loose, dry soil, the shoe should be set back and closer to the packing wheels or ahead and away from the packing wheels in heavy, wet soil. **KEEP SHOE CLEAN** at all times. Don't allow soil to build up on sides or trash in front of the shoe as this will cause the shoe to make a wider furrow, and the packing wheels will be unable to bring the soil back in around the plants. It may be necessary to add a coultter to the unit to cut this trash if it's a problem. Also, make sure the soil is worked deeper than the penetrating depth of the shoe. Hard pan soil under the shoe will cause the unit to ride up and lose its traction.

CAUTION: PULL UNIT FORWARD ONLY. Backing up causes damage to pockets and can plug shoe up with dirt.

ADJUSTING WATER VALVE: The water valve has a ball check tripped from below. The reservoir allows water supply to build up between plants. There is a float in the top of this reservoir to automatically close when filled. This air allows water to drop quickly as it is tripped by each plant. The **AMOUNT OF WATER IS CONTROLLED BY SIMPLY ADJUSTING THE BALL VALVE** to regulate the amount of water you want by each plant. Be careful, too much water in dry fluffy soil can cause the plant to float to the top of the furrow. The rocker arm and cam which is bolted onto frame of planter for tripping valve has a slot in it for adjusting timing of water. When rocker is moved up, the water will trip sooner. When moved down, it will trip later.

AIR VALVE FLOAT: Once each season the cap at the top of valve should be removed to check condition of the air valve float. This small ball can be floated to the top with water or pulled out with a piece of wire for inspection. This float is the critical to the operation of this valve. It and the rubber at the top should be replaced if not in good condition.

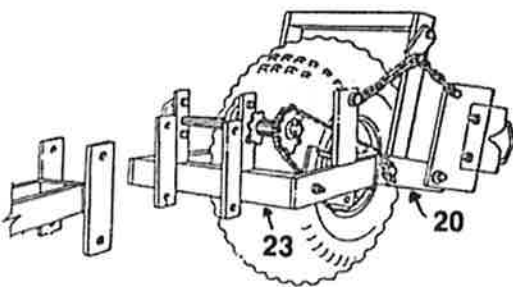
INSTALLING NEW BOTTOM CHECK BALL: Remove the valve from planter. Then remove bottom spout and the adjustable slide on trip rod.

Unscrew plastic seat from tee. New check ball with stem can then be easily inserted. Do not tighten nut on stem completely, but leave enough play for the ball to wobble, allowing it to self center itself in the plastic seat.

MAKE SURE THE WATER IS DRAINED OUT OF THE VALVE AT THE END OF EACH SEASON OR IT WILL FREEZE AND DESTROY THE INSIDE OF THE VALVE!

Float Wheel Direct Drive Operating Instructions

For Models 1000, 525, 550, & 33-6000



Run the float wheel with only 4 to 5 pounds of pressure during operation. Plant spacing can be changed slightly by increasing or decreasing the tire pressure.

Be sure to run the planting unit level with the soil. Then check that the toolbar is in the middle of the hitch so that frame members #23 and #20 are **STRAIGHT IN LINE**. Do not run the front frame (#20) up as this will take weight off from the wheel. For toolbars that are not adjustable for height you may have to use the lower holes on the front clamp plates to get the frame to run straight.

The hitch and wheel will float freely and sense uneven soil conditions if set properly. **DO NOT TIGHTEN LIFT CHAINS.** They must be loose when planting. If you can not lift the units high enough, raise the lower arms on your tractor by cranking them up. Do not tighten the chains.

For some unusual spacings, an extra link or two may be added to the drive chains.

If more weight is needed on the back of the unit for proper packing, use the optional OE-73 weight bracket.

Safety Precautions

1. Make sure tractor is stopped and in neutral with the transplanter lowered to the ground before getting on and off the unit.
2. No operator is allowed to be on the unit as it is raised and lowered.
3. No operator is allowed on the transplanter as it is transported to or from the field.
4. All operators must be seated before movement begins and remain seated until the transplanter is completely stopped.
5. Never leave the transplanter in the raised position.
6. Keep all shields and guards in place when operating the transplanter.
7. Never attempt repairs or maintenance while the transplanter is in motion.
8. Never put the tractor in reverse while the transplanter is on the ground.
9. Follow all safety instructions supplied by the tractor manufacturer to which the transplanter is mounted.

MACHINE IMPROVEMENTS

MECHANICAL TRANSPLANTER CO. IS ALWAYS STRIVING TO MAKE IMPROVEMENTS ON THEIR LINE OF EQUIPMENT. MECHANICAL TRANSPLANTER CO. RESERVES THE RIGHT TO MAKE IMPROVEMENTS AND CHANGES AT ANY TIME WITHOUT INCURRING OBLIGATIONS TO MAKE SUCH CHANGES OR ADDITIONS TO EQUIPMENT PREVIOUSLY SOLD.

Limited Warranty

Mechanical Transplanter Company warrants each item of new equipment manufactured by Mechanical to be free from defects in material and workmanship under normal use and service.

The obligation of Mechanical Transplanter Company under this LIMITED WARRANTY is limited to repairing or replacing as Mechanical may elect, and any parts that prove, in Mechanical's judgment, to be defective in material and workmanship within the first season's use or 45 consecutive days after initially placing equipment in operation, whichever occurs first. Any outside work or alterations without Mechanical's written approval will render the LIMITED WARRANTY void.

Mechanical's obligation specifically excludes any liability for consequential damages, such as loss of profits, delays, expenses, damage to goods or property used in connection with or processed in or by the product sold, or damage to the product sold from whatsoever cause, whether or not such loss is due to negligence of selling dealer of Mechanical Transplanter Company.

This limited warranty shall not apply to any item or machine which shall have been operated in a manner not recommended by the Company nor which shall have been repaired, altered, misused, damaged in an accident, neglected, tampered with or used in any way which in the Company's opinion adversely affects its performance and results.

No person is authorized to give any other warranties or to assume any other liability on behalf of Mechanical Transplanter Company, unless made in writing by Mechanical.

This limited warranty covers repair or replacement of Mechanical Transplanter Co. equipment only and does not cover crop loss, downtime, labor, damage to other equipment, etc.

This limited warranty does not apply to exterior finishes, tires, chain links, bearings, or any other items sold by Mechanical Transplanter Co., but warranted by the original manufacturer except to the extent of their individual manufacturer's warranty.

THIS LIMITED WARRANTY IS IN LIEU OF ALL OTHER WARRANTIES, EXPRESSED OR IMPLIED. WARRANTIES OF MERCHANTABILITY AND FITNESS FOR PARTICULAR PURPOSE ARE EXCLUDED, AS ARE ALL OTHER REPRESENTATIONS TO THE USER-PURCHASER, AND ALL OTHER OBLIGATIONS OR LIABILITIES, INCLUDING LIABILITY FOR INCIDENTAL AND CONSEQUENTIAL DAMAGES, ON THE PART OF MECHANICAL OR THE SELLER.

Mechanical Transplanter Company, LLC

1150 Central Avenue *Holland, Michigan 49423

Phone: 616-396-8738 or 800-757-5268 Fax: 616-396-3619

www.mechanicaltransplanter.com mtc@mechanicaltransplanter.com