

Mechanical Transplanter

Model 2000 Parts & Assembly

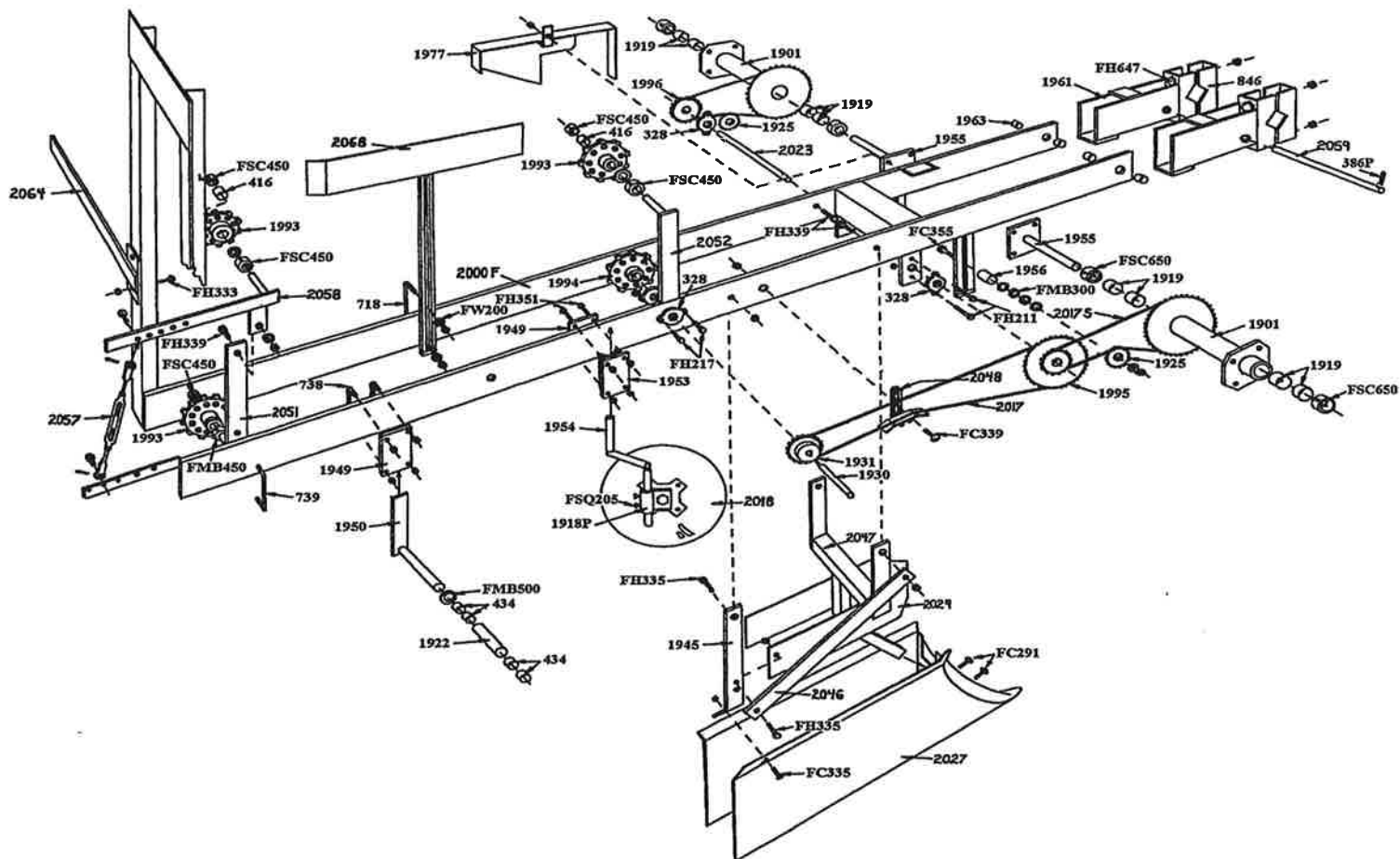
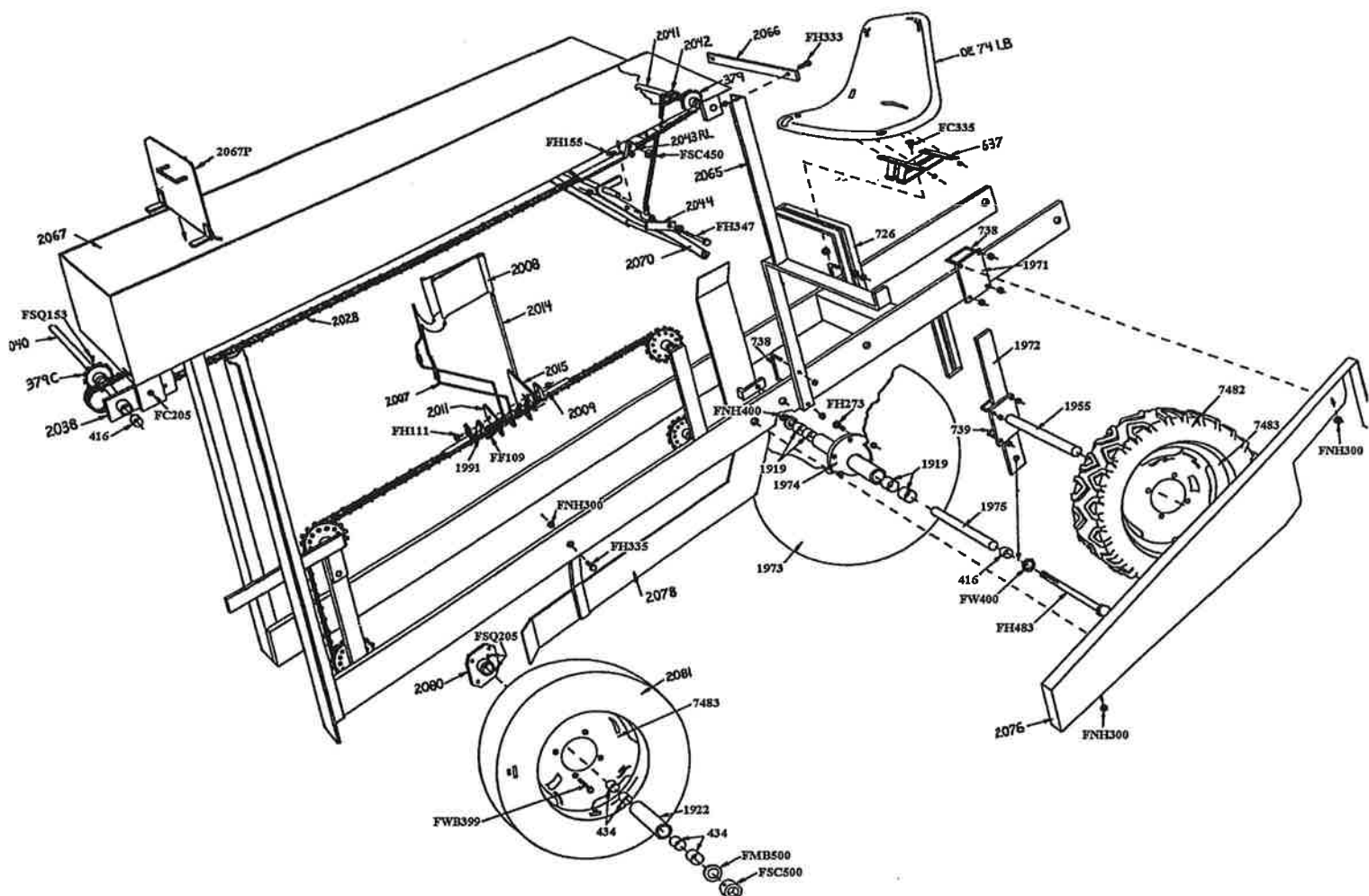
55S	#55 Chain (per foot)	2040	Rear plant box shaft - 21"
328	3/4" Flange block bearing	2041	Front plant box shaft - 19"
379	Upper conveyor sprocket	2042	Plant box 3/4" collar with tab
379C	Cast iron sprocket with set screw	2043RL	Plant box bearings (pr)
386P	Clip pin	2044	Plant box ratchet bracket
416	3/4" Oilite bearing	2046	Diagonal shoe brace
434	7/8" Oilite bearing	2047	Front shoe brace
637	Fiberglass seat bracket	2048	Rear chain tightener
718	3/8" U-bolt	2051	Rear bracket for pocket sprocket
726	L-shaped seat bracket	2052	Front bracket for pocket sprocket
738	1/2" Long U-bolt	2057	Turnbuckle with pins
739	1/2" Short U-bolt	2058	Rear bracket for pocket chain sprocket
846	Large clamp	2059	Drawbar shaft
1901	Drive sprocket on wheel hub	2064	Rear plant box bracket
1918P	Hiller disc mounting plate	2065	Front plant box bracket
1919	1-1/4" Oilite bearing	2066	Top bar for plant box bracket
1922	Inside hub for packing wheels	2067	Plant box
1925	Chain tightener sprocket	2067P	Plant box partition
1930	Pocket drive shaft	2068	Pocket guide bracket
1931	20 Tooth drive sprocket	2070	Plant advance foot rest
1945	Shoe brace	2076	Chain guard for pocket drive chain
1949	Coulter and wheel mounting plate	2078	Guides for pocket (pr)
1950	Packing wheel plate and axle	2080	Packing wheel mounting plate
1953	Support bracket for covering disc	2081	Rubber packing tire only
1954	L-bracket for covering disc	7482	5.90x15 Traction drive tire
1955	Support bracket for drive wheels	7483	4 Bolt rim
1956	Front chain tightener spacer	FC205	3/8x3/4" Carriage bolt
1961	Clamp assembly with bolts	FC291	7/16x3-1/2" Carriage bolt
1963	Spacer for drawbar shaft	FC335	1/2x1-1/2" Carriage bolt
1968	Pocket guide bracket	FC339	1/2x2" Carriage bolt
1971	Coulter bracket mounting plate	FF109	1/4x1" Flange bolt
1972	Coulter mounting bracket	FH111	1/4x1-1/4" Hex head cap screw
1973	28" Coulter blade	FH155	5/16x3/4" Hex head cap screw
1974	Coulter hub	FH211	3/8x1-1/4" Hex head cap screw
1975	Inside pipe of coulter hub	FH217	3/8x2" Hex head cap screw
1977	Chain guard for drive wheel chain	FH273	7/16x1-1/4" Hex head cap screw
1991	#55 Pocket attaching link	FH333	1/2x1-1/4" Hex head cap screw
1993	#55, 9 Tooth sprocket w/bearing	FH335	1/2x1-1/2" Hex head cap screw
1994	#55, 9 Tooth sprocket w/set screws	FH339	1/2x2" Hex head cap screw
1995	2 Sprocket cluster	FH347	1/2x3" Hex head cap screw
1996	18 Tooth, 3/4 bore sprocket	FH351	1/2x3-1/2" Hex head cap screw
2000F	2000 Planter frame	FH483	5/8x10-1/2" Hex head cap screw
2007	Pocket wire	FH647	1x9" Hex head cap screw
2008	Double neoprene gripper	FMB300	1/2" Machinery bushing
2009	Pocket stabilizer bar	FMB450	3/4" Machinery bushing
2011	Pocket wire clamp	FMB500	7/8" Machinery bushin
2014	Pocket main frame	FNH300	1/2" Hex nut
2015	Pocket less stabilizing bars	FNH400	5/8" Hex nut
2016	Pocket with stabilizing bars	FSC450	3/4" Set collar
2017	#40 Long pocket drive chain	FSC500	7/8" Set collar
2017S	#40 Short pocket drive chain	FSC650	1-1/4" Set collar
2018	16" Hiller disc with hub	FSQ153	5/16x5/8" Square head set screw
2023	Main drive shaft	FSQ205	3/8x3/4" Square head set screw
2027	12"x6" Shoe	FW200	3/8" USS flat washer
2028	#51S chain for plant advance	FW400	5/8" USS flat washer
2029	Dirt shield for shoe	FWB399	9/16x1-3/4" Wheel stud bolt
2038	Plant box rear bracket with bearing	OE 74LB	Fiberglass seat less bracket

Mechanical Transplanter Company * 1150 Central Avenue * Holland, MI 49423

Phone: 800-757-5268 * 616-396-8738 or Fax: 616-396-3619

www.mechanicaltransplanter.com

mtc@mechanicaltransplanter.com



Model 2000 Spacing Chart

Spacing between plants	Number of pockets	Chain links between pockets	Total number of links
12"	10	5	60
14"	9	6	63
16"	8	7	64
18"	7	8	63
20"	6	9	60
26"	5	11	60
32"	4	14	60
40"	3	20	63
54"	2	27	56
60"	2	30	62

Assembly Instructions

1. If your unit came in a crate, first mount the front plant stand (part 2065) onto the frame using the U-bolts (part 738) on the back side of the frame. They should both be bolted 3" ahead of the chain tightener hole. Now put the cross brace (part 2066) between the plant stands.
2. Turn the back plant box supports (part 2064) up and fasten.
3. Install seats
4. Fasten the toolbar onto the unit clamps. On one row units the A-frame clamps onto the unit clamps and on two row units the toolbar is bolted onto the unit clamps with the A-frame between the units.
5. Place the plant boxes on the unit. On multi-row units with row widths closer than 52" use one common box in the middle.
6. Remove the stand from the rear of unit when it is hooked to tractor.

Operating Instructions

1. The unit is set to run at the correct depth for most soil conditions. However, if the unit is running too deep or shallow adjust the front drive wheels up or down accordingly. Tighten the drive chains after moving the front wheels. The rear wheels must be adjusted so the unit runs level at all times.
2. Adjust the covering discs to bring enough soil in to properly cover the shoe furrow.
3. The front coulter should always be just below the shoe point. It is adjusted correctly at the factory and should not be changed unless necessary.
4. Make sure coulter is running straight in line with center of shoe. Adjustment is provided by loosening the 5/8x10-1/2" bolt in the coulter hub. Re-align coulter and tighten bolt. Soil should be flowing equally along both sides of shoe when coulter is straight.
5. Spacings are changed only by the number of pockets and length of chain between pockets because pockets run at ground speed.
6. The 3rd arm on the tractor must be adjusted to allow the unit to float. There should be free play or clearance between the front unit clamps and the frame of the unit.
7. The unit MUST run level to the ground
8. When transporting, do not allow unit to bounce.
9. Keep the shoe clean at all times
10. The unit will not work properly in heavy, wet soil conditions.

Safety Precautions

1. Make sure tractor is stopped and in neutral with the transplanter lowered to the ground before getting on and off the unit.
2. No operator is allowed to be on the unit as it is raised and lowered.
3. No operator is allowed on the transplanter as it is transported to or from the field.
4. All operators must be seated before movement begins and remain seated until the transplanter is completely stopped.
5. Never leave the transplanter in the raised position.
6. Keep all shields and guards in place when operating the transplanter.
7. Never attempt repairs or maintenance while the transplanter is in motion.
8. Never put the tractor in reverse while the transplanter is on the ground.
9. Follow all safety instructions supplied by the tractor manufacturer to which the transplanter is mounted.

MACHINE IMPROVEMENTS

MECHANICAL TRANSPLANTER CO. IS ALWAYS STRIVING TO MAKE IMPROVEMENTS ON THEIR LINE OF EQUIPMENT. MECHANICAL TRANSPLANTER CO. RESERVES THE RIGHT TO MAKE IMPROVEMENTS AND CHANGES AT ANY TIME WITHOUT INCURRING OBLIGATIONS TO MAKE SUCH CHANGES OR ADDITIONS TO EQUIPMENT PREVIOUSLY SOLD.

Limited Warranty

Mechanical Transplanter Company warrants each item of new equipment manufactured by Mechanical to be free from defects in material and workmanship under normal use and service.

The obligation of Mechanical Transplanter Company under this LIMITED WARRANTY is limited to repairing or replacing as Mechanical may elect, and any parts that prove, in Mechanical's judgment, to be defective in material and workmanship within the first season's use or 45 consecutive days after initially placing equipment in operation, whichever occurs first. Any outside work or alterations without Mechanical's written approval will render the LIMITED WARRANTY void.

Mechanical's obligation specifically excludes any liability for consequential damages, such as loss of profits, delays, expenses, damage to goods or property used in connection with or processed in or by the product sold, or damage to the product sold from whatsoever cause, whether or not such loss is due to negligence of selling dealer of Mechanical Transplanter Company.

This limited warranty shall not apply to any item or machine which shall have been operated in a manner not recommended by the Company nor which shall have been repaired, altered, misused, damaged in an accident, neglected, tampered with or used in any way which in the Company's opinion adversely affects its performance and results.

No person is authorized to give any other warranties or to assume any other liability on behalf of Mechanical Transplanter Company, unless made in writing by Mechanical.

This limited warranty covers repair or replacement of Mechanical Transplanter Co. equipment only and does not cover crop loss, downtime, labor, damage to other equipment, etc.

This limited warranty does not apply to exterior finishes, tires, chain links, bearings, or any other items sold by Mechanical Transplanter Co., but warranted by the original manufacturer except to the extent of their individual manufacturer's warranty.

THIS LIMITED WARRANTY IS IN LIEU OF ALL OTHER WARRANTIES, EXPRESSED OR IMPLIED. WARRANTIES OF MERCHANT ABILITY AND FITNESS FOR PARTICULAR PURPOSE ARE EXCLUDED, AS ARE ALL OTHER REPRESENTATIONS TO THE USER-PURCHASER, AND ALL OTHER OBLIGATIONS OR LIABILITIES, INCLUDING LIABILITY FOR INCIDENTAL AND CONSEQUENTIAL DAMAGES, ON THE PART OF MECHANICAL OR THE SELLER.