

Mechanical Transplanter

Model 1980 Parts & Assembly

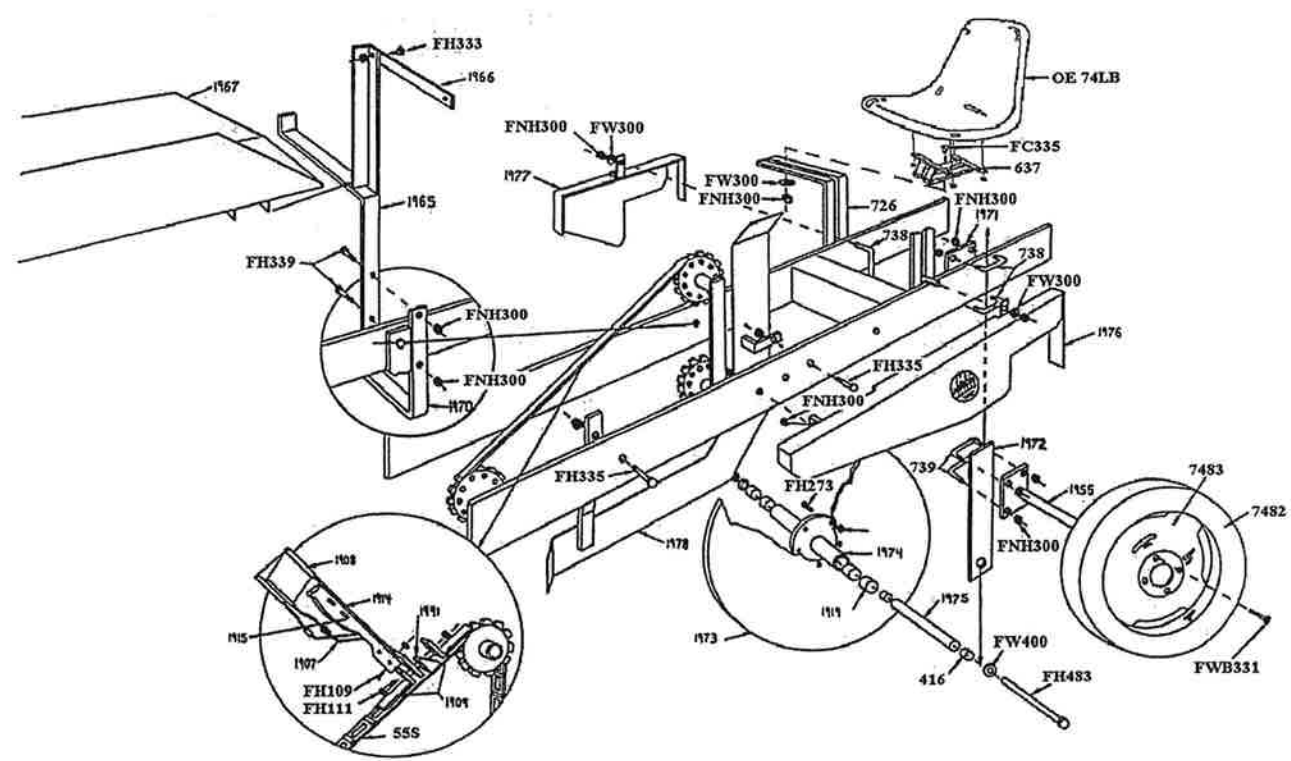
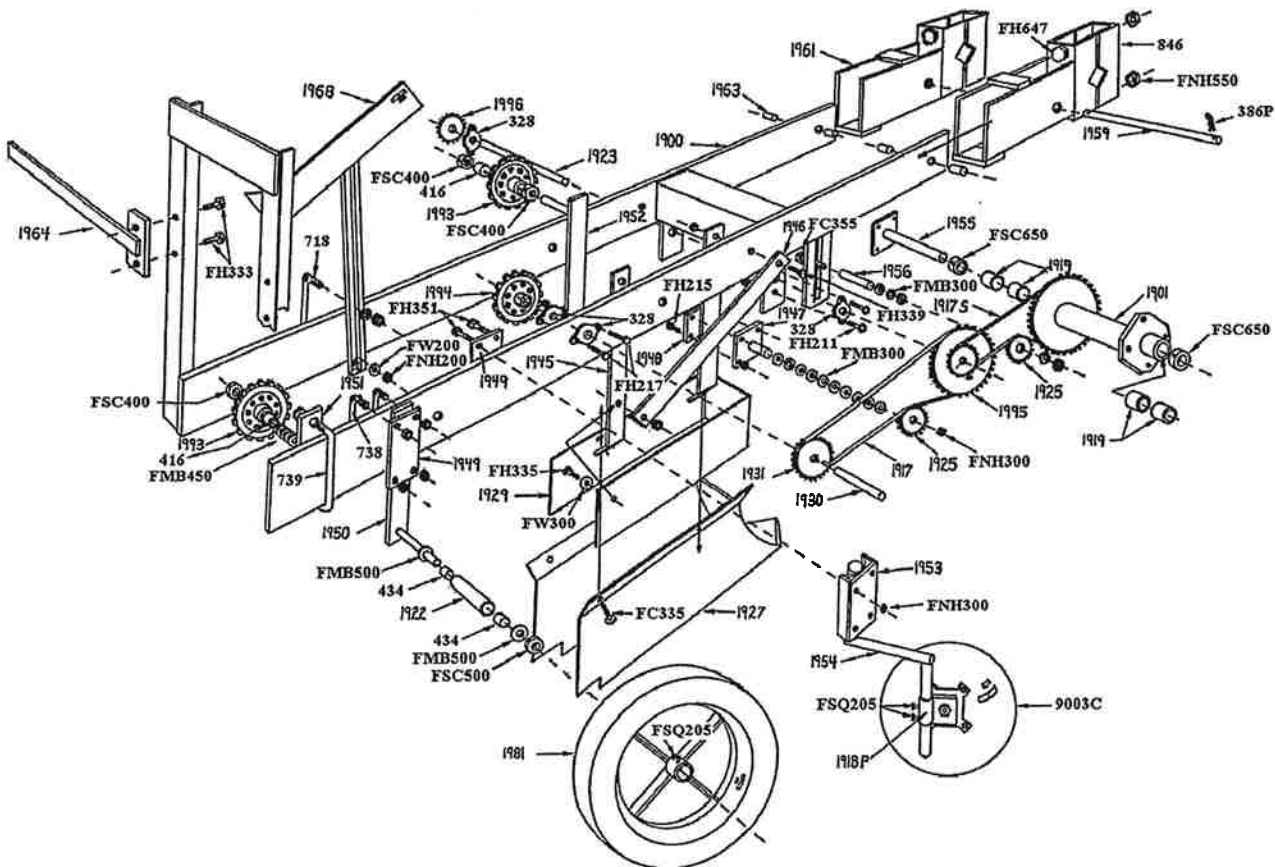
55S	#55 Chain (per foot)	1967	Plant box
328	3/4" Flange block bearing	1968	Pocket guide bracket
386P	Clip pin	1970	Foot rest bracket
416	3/4" Oilite bearing	1971	Coulter bracket mounting plate
434	7/8" Oilite bearing	1972	Coulter mounting bracket
637	Fiberglass seat bracket	1973	28" Coulter blade
718	3/8" U-bolt	1974	Coulter hub
726	L-shaped seat bracket	1975	Inside pipe of coulter hub
738	1/2" Long U-bolt	1976	Chain guard for pocket drive chain
739	1/2" Short U-bolt	1977	Chain guard for drive wheel chain
846	Large clamp	1978	Pocket guides (pr)
1900	1980 Planter frame	1981	Rubber packing tire and rim
1901	Drive sprocket on wheel hub	1991	#55 Pocket attaching link
1907	Pocket wire	1993	#55, 9 Tooth sprocket w/bearing
1908	Double neoprene gripper	1994	#55, 9 Tooth sprocket w/set screws
1909	Pocket stabilizing bar	1995	2 Sprocket cluster
1914	Pocket frame	1996	18 Tooth, 3/4 bore sprocket
1915	Complete pocket less stabilizing bars	7482	Drive tire
1916	Complete pocket with stabilizing bars	7483	4 Bolt rim
1916482	Cell extension for pocket	9003C	14" Hiller disc
1917	Long #40 drive chain	FC335	1/2x1-1/2" Carriage bolt
1917S	Short #40 drive chain	FC355	1/2x4" Carriage bolt
1918P	Hiller disc mounting plate	FH109	1/4x1" Hex head cap screw
1919	1-1/4" Oilite bearing	FH111	1/4x1-1/4" Hex head cap screw
1922	Inside hub for packing wheels	FH211	3/8x1-1/4" Hex head cap screw
1923	Main drive shaft	FH215	3/8x1-3/4" Hex head cap screw
1925	Chain tightener sprocket	FH217	3/8x2" Hex head cap screw
1927	1980 Shoe	FH273	7/16x1-1/4" Hex head cap screw
1929	Dirt shield for shoe	FH333	1/2x1-1/4" Hex head cap screw
1930	Pocket drive shaft	FH335	1/2x1-1/2" Hex head cap screw
1931	20 Tooth drive sprocket	FH339	1/2x2" Hex head cap screw
1945	Shoe brace	FH351	1/2x3-1/2" Hex head cap screw
1946	Diagonal shoe brace	FH483	5/8x10-1/2" Hex head cap screw
1947	Rear chain tightener bracket	FH647	1x9" Hex head cap screw
1948	Rear chain tightener plate	FMB300	1/2" Machinery bushing
1949	Coulter and wheel mounting plate	FMB450	3/4" Machinery bushing
1950	Packing wheel plate and axle	FMB500	7/8" Machinery bushin
1951	Rear bracket for pocket sprocket	FNH200	3/8" Hex nut
1952	Front bracket for pocket sprocket	FNH300	1/2" Hex nut
1953	Support bracket for covering disc	FNH550	1" Hex nut
1954	L-bracket for covering disc	FSC400	5/8" Set collar
1955	Support bracket for drive wheels	FSC500	7/8" Set collar
1956	Front chain tightener spacer	FSC650	1-1/4" Set collar
1959	Drawbar shaft	FSQ205	3/8x3/4" Square head set screw
1961	Clamp assembly with bolts	FW200	3/8" USS flat washer
1963	Spacer for drawbar shaft	FW300	1/2" USS flat washer
1964	Rear plant box bracket	FW400	5/8" USS flat washer
1965	Front plant box bracket	FWB331	1/2x1" Wheel stud bolt
1966	Top bar for plant box bracket	OE74LB	Fiberglass seat less bracket

Mechanical Transplanter Company * 1150 Central Avenue * Holland, MI 49423

Phone: 800-757-5268 * 616-396-8738 or Fax: 616-396-3619

www.mechanicaltransplanter.com

mtc@mechanicaltransplanter.com



Model 1980 Spacing Chart (units after 1984)

Spacing between plants	Number of pockets	Chain links between pockets	Total number of links
7-1/2"	12	3	48
11"	9	5	54
15"	6	7	48
22"	4	11	48
30"	3	15	48
33"	2	17	54
45"	2	23	48
60"	2	30	62
72"	2	34	70

Assembly Instructions

1. If your unit came in a crate, first mount the front plant stand (part 1965) onto the frame using the footrest (part 1970) on the back side of the frame. They should both be bolted on together just ahead of the front shoe braces. Now put the cross brace (part 1966) between the plant stands.
2. Turn the back plant box supports (part 1964) up and fasten.
3. Install seats
4. Fasten the toolbar onto the unit clamps. On one row units the A-frame clamps onto the unit clamps and on two row units the toolbar is bolted onto the unit clamps with the A-frame between the units.
5. Place the plant boxes on the unit. On multi-row units with row widths closer than 46" use one common box in the middle.
6. Remove the stand from the rear of unit when it is hooked to tractor.

Operating Instructions

1. The unit is set to run at the correct depth for most soil conditions. However, if the unit is running too deep or shallow adjust the front drive wheels up or down accordingly. Tighten the drive chains after moving the front wheels. The rear wheels must be adjusted so the unit runs level at all times.
2. Adjust the covering discs to bring enough soil in to properly cover the shoe furrow.
3. The front coulter should always be just below the shoe point. It is adjusted correctly at the factory and should not be changed unless necessary.
4. Make sure coulter is running straight in line with center of shoe. Adjustment is provided by loosening the 5/8x10-1/2" bolt in the coulter hub. Re-align coulter and tighten bolt. Soil should be flowing equally along both sides of shoe when coulter is straight.
5. Spacings are changed only by the number of pockets and length of chain between pockets because pockets run at ground speed.
6. The 3rd arm on the tractor must be adjusted to allow the unit to float. There should be free play or clearance between the front unit clamps and the frame of the unit.
7. The unit MUST run level to the ground
8. When transporting, do not allow unit to bounce.
9. Keep the shoe clean at all times
10. The unit will not work properly in heavy, wet soil conditions.

Safety Precautions

1. Make sure tractor is stopped and in neutral with the transplanter lowered to the ground before getting on and off the unit.
2. No operator is allowed to be on the unit as it is raised and lowered.
3. No operator is allowed on the transplanter as it is transported to or from the field.
4. All operators must be seated before movement begins and remain seated until the transplanter is completely stopped.
5. Never leave the transplanter in the raised position.
6. Keep all shields and guards in place when operating the transplanter.
7. Never attempt repairs or maintenance while the transplanter is in motion.
8. Never put the tractor in reverse while the transplanter is on the ground.
9. Follow all safety instructions supplied by the tractor manufacturer to which the transplanter is mounted.

MACHINE IMPROVEMENTS

MECHANICAL TRANSPLANTER CO. IS ALWAYS STRIVING TO MAKE IMPROVEMENTS ON THEIR LINE OF EQUIPMENT. MECHANICAL TRANSPLANTER CO. RESERVES THE RIGHT TO MAKE IMPROVEMENTS AND CHANGES AT ANY TIME WITHOUT INCURRING OBLIGATIONS TO MAKE SUCH CHANGES OR ADDITIONS TO EQUIPMENT PREVIOUSLY SOLD.

Limited Warranty

Mechanical Transplanter Company warrants each item of new equipment manufactured by Mechanical to be free from defects in material and workmanship under normal use and service.

The obligation of Mechanical Transplanter Company under this LIMITED WARRANTY is limited to repairing or replacing as Mechanical may elect, and any parts that prove, in Mechanical's judgment, to be defective in material and workmanship within the first season's use or 45 consecutive days after initially placing equipment in operation, whichever occurs first. Any outside work or alterations without Mechanical's written approval will render the LIMITED WARRANTY void.

Mechanical's obligation specifically excludes any liability for consequential damages, such as loss of profits, delays, expenses, damage to goods or property used in connection with or processed in or by the product sold, or damage to the product sold from whatsoever cause, whether or not such loss is due to negligence of selling dealer of Mechanical Transplanter Company.

This limited warranty shall not apply to any item or machine which shall have been operated in a manner not recommended by the Company nor which shall have been repaired, altered, misused, damaged in an accident, neglected, tampered with or used in any way which in the Company's opinion adversely affects its performance and results.

No person is authorized to give any other warranties or to assume any other liability on behalf of Mechanical Transplanter Company, unless made in writing by Mechanical.

This limited warranty covers repair or replacement of Mechanical Transplanter Co. equipment only and does not cover crop loss, downtime, labor, damage to other equipment, etc.

This limited warranty does not apply to exterior finishes, tires, chain links, bearings, or any other items sold by Mechanical Transplanter Co., but warranted by the original manufacturer except to the extent of their individual manufacturer's warranty.

THIS LIMITED WARRANT IS IN LIEU OF ALL OTHER WARRANTIES, EXPRESSED OR IMPLIED. WARRANTIES OF MERCHANT ABILITY AND FITNESS FOR PARTICULAR PURPOSE ARE EXCLUDED, AS ARE ALL OTHER REPRESENTATIONS TO THE USER-PURCHASER, AND ALL OTHER OBLIGATIONS OR LIABILITIES, INCLUDING LIABILITY FOR INCIDENTAL AND CONSEQUENTIAL DAMAGES, ON THE PART OF MECHANICAL OR THE SELLER.