

CONTENTS

2 SIDE RAILS

2 END RAILS

CENTER
SUPPORT(S)

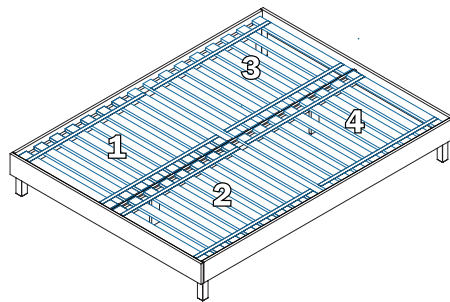
LEGS MUST BE
ASSEMBLED

SLATS

FELT PADS

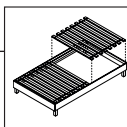
- 5 LAY THE SLATS DOWN ON THE PLATFORM WITH THE RIBBON SIDE DOWN, RESTING THEM ON THE WOODEN SUPPORT LEDGE INSIDE THE UPHOLSTERED RAILS.

ENSURE THE VELCRO STRIPS ON THE ENDS OF THE SLATS ARE ALIGNED WITH THE VELCRO STRIPS ON THE RAILS TO SECURE.



2 TWIN
TWIN XL

4 FULL
QUEEN
KING
CAL KING



ASSEMBLE YOUR PLATFORM!



5 MINUTE
ASSEMBLY



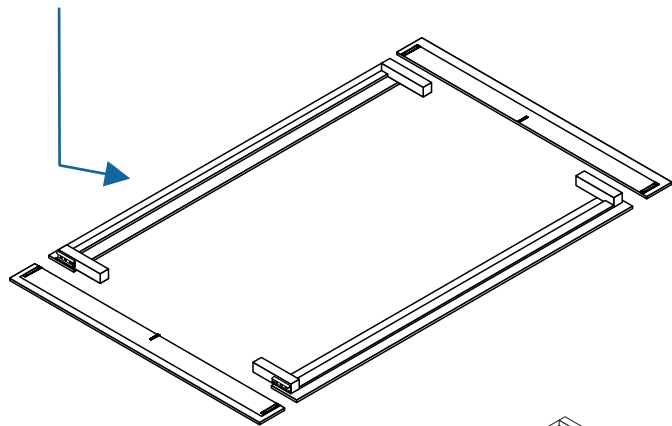
NO TOOLS



GREAT STRENGTH

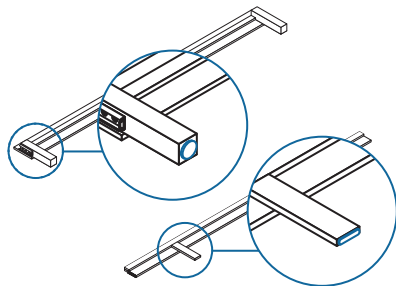
1

LAY OUT THE FOUR UPHOLSTERED PIECES LIKE THAT!



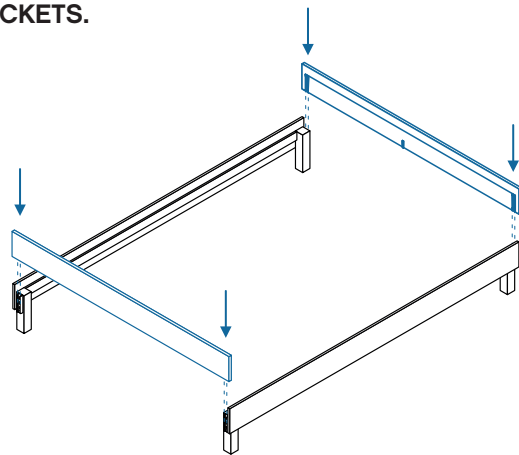
2

STICK THE FELT PADS TO THE CORRESPONDING FEET.



3

SLIDE THE 2 END RAILS INTO THE SIDE RAIL BRACKETS.

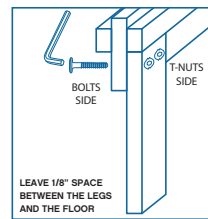


PLATFORM WITH HEADBOARD

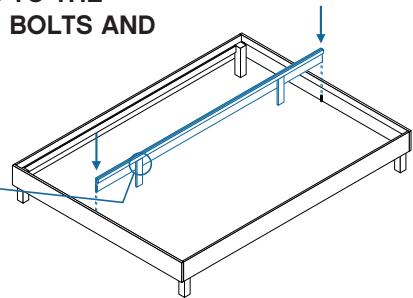
REPLACE ONE END RAIL BY THE HEADBOARD.

4

USE THE BRACKETS TO ATTACH THE CENTER SUPPORT RAILS TO THE END RAILS. THEN FIX THE LEGS TO THE CENTER SUPPORT(S) WITH BOLTS AND HEX KEY.



FOR THE KING SIZE BED, PLACE THE LEGS BELOW THE RIM.



CENTER RAILS QUANTITY IS BASED ON BED SIZE.

1	TWIN TWIN XL FULL QUEEN CAL KING
2	KING

INSERT THE STABILIZER BETWEEN THE 2 CENTER SUPPORT RAILS.

