




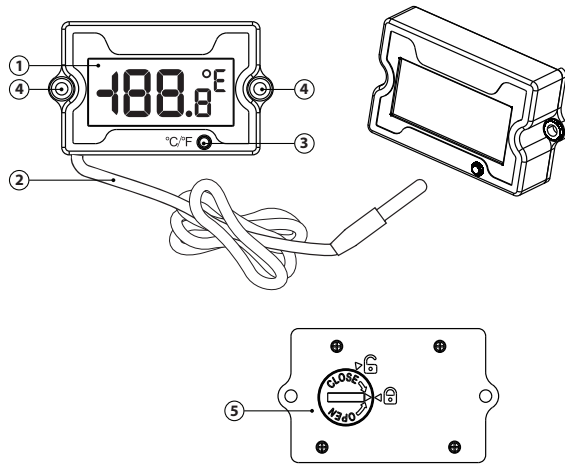
<b>Project Type</b> Instructions	<b>Date:</b> January 8 2020 <b>Customer:</b> Thermor Ltd <b>Job Number:</b> TH6559 <b>Item Number:</b> DT157 <b>Designer:</b> Alex Vranjesevic	<b>PO:</b> 23836 <b>Revision:</b> A	 <b>Contact:</b> Graphic's Department graphics@thermor-ins.com
UPC (For Reference Only)  0 57475 40157 3	<b>Reason For Project:</b> New Item: X New Branding: Design Update: N/A:	Artwork is not to be amended or scaled. If any changes are required please send through Thermor office with instructions, and we will amend here and resend artwork through. <b>PLEASE RETURN WITH SIGNATURE</b>	<b>Colour Breakdown</b> 

# BIOS

Professional

## OVERVIEW

DISPLAY: UNIT-FRONT / SIDE / REAR VIEW



1. Temperature display
2. Sensor
3. °C/°F button
4. Holes for screw
5. Battery cover

## SPECIFICATIONS

- Temperature Range: -20°C to 50°C (-4°F to 122°F).
- Accuracy: ±1°C (2°F) between 0°C to 40°C (32°F to 104°F), otherwise ± 2°C (4°F).
- Power Consumption: 1pc X 1,5V LR44 (included).
- Sensor: 10 ft. length, IP7 waterproof for the cable.
- Cycle of temperature measurement: 10 seconds.

DT157

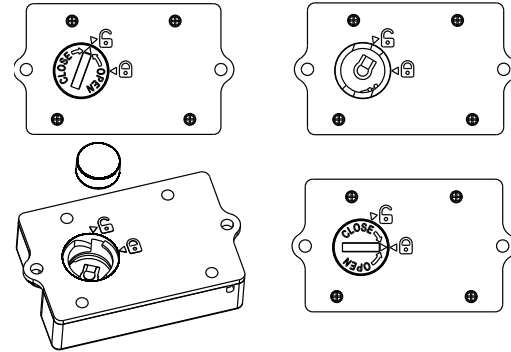
## Panel Mount Thermometer

### THERMOMETER

- If the measurement value is above the range, the temperature display will show "Hi °C" or "Hi °F".
- If the measurement value is below the range, the temperature display will show "Lo °C" or "Lo °F".
- Press the °C/°F button to change between °C (Celsius) or °F (Fahrenheit) on temperature unit.

### INSTALL BATTERY:

Put a coin in the groove of the battery cover, and turn it to the left to the unlock icon. The cover will come out of the base. Next, insert the battery into the base, put the cover back on and use the coin, to turn the battery to the right to the lock icon.



### ONE YEAR WARRANTY

The Panel Mount Thermometer has a 1 year warranty to be free of manufacturing defects in materials and workmanship under normal applications for 1 year of the original owner. If this product becomes inoperable due to defect and requires repair, return the product with all component pieces and proof of purchase to the address listed below. This warranty does not cover any shipping/transport costs. This warranty does not apply if the product is subject to misuse, neglect, rough handling or damage.

Ship the unit prepaid and insured (at owners option) to:

**Thermor Ltd.**  
Attn: Repair Department  
16975 Leslie Street  
Newmarket, ON L3Y 9A1

www.biosprofessional.com  
Email: thermor@thermor-ins.com

MANUFACTURED BY/FABRIQUÉ PAR:  
**THERMOR LTD.**  
16975 LESLIE STREET  
NEWMARKET, ON L3Y 9A1  
MADE IN CHINA/FABRIQUÉ EN CHINE  
WWW.BIOSPROFESSIONAL.COM