

ROTARY DIAL SCALE

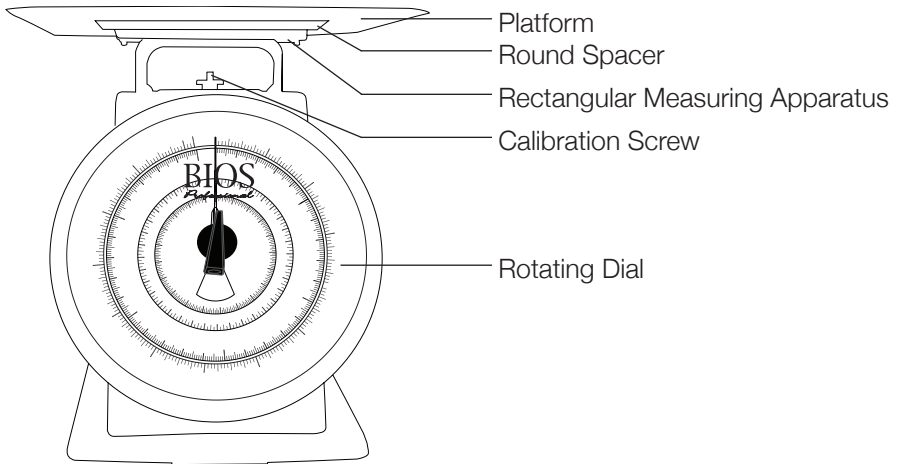
Thank you for purchasing the BIOS Professional 2lb Rotary Dial Scale.

Contents:

- Rotary Dial Scale
- Stainless Steel Platform
- Stainless Steel Round Spacer
- 2 x Stainless Steel Nuts

Features:

- Platform Size 6" x 6"
- Rotating Dial Face
- Tare Function
- Splash Proof
- Stainless Steel Construction
- Capacity 2lb / 1kg



Scale Set up:

1. Remove all contents from the box and their clear protective bags.

NOTE: The scale needle may not be pointed at 0.00. Make sure that the dial face is set correctly using the adjustment knob. Please wait until the end of the scale set up before adjusting the scale.

2. Remove all white cardboard spacers from under the scales rectangular measuring apparatus.
3. Place the stainless steel round spacer face down on the rectangular measuring apparatus. There are 4 holes drilled into the round spacer to allow the stainless steel platform to sit.
4. Line up the 2 screws on the bottom of the stainless steel platform into the 2 holes on the round spacer.

NOTE: You will start to notice that the needle on the dial face is starting to adjust to 0.00. Please wait until the end of the scale set up before adjusting the scale.

5. Screw both stainless steel nuts into the platform screws securing the platform to the rectangular measuring apparatus.

NOTE: This scale has been calibrated to 0.00 with all components found in this box. Without one of the components your scale may not read accurately.

6. Your set up is now complete. If the needle is still slightly off you may now use the calibration screw to adjust the scales reading.

Tare Function:

1. Place your first item on the stainless steel platform. (Figure 1)
2. Once the dial needle is steady rotate the dial face using the rotating knob in the center of the dial face to the right so it is lined up with the 0.00. You are now ready to weigh your next item. (Figure 2)
3. Place the second item on the stainless steel platform with the first item still on the platform.
4. Once the dial needle is steady you will have the weight of the second item. (Figure 3)
5. To see the total weight of the items on the platform, rotate the dial face so 0.00 is at the top of the dial face.

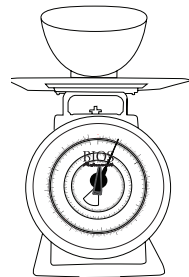


Figure 1

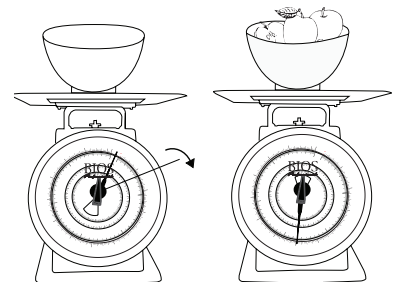


Figure 2

Figure 3

One Year Warranty

If this product proves to be defective in material or workmanship within one year of purchase, please return it to the address below. It will be repaired or replaced without charge upon receipt of the unit prepaid. Please include return courier or best return method if unit is not declared defective. Please include your full name, address, daytime phone number or email address.