

BIOS living

TRANSPORT CHAIR 56053



INSTRUCTION MANUAL

biosmedical.com

BIOS living

Thank you for purchasing the BIOS Living Transport Chair. This transport chair has an easy-to-use collapsible design which enables the chair to fit easily in most vehicles and to be stored away when not in use.

Note: The owner's manual was compiled from the most recent specifications and product information available at the time of publication. Thermor reserves the right to make changes, which may cause slight variations between the illustration and explanations in this manual and the product purchased.

Please read these instructions before assembly or use and please keep the manual in a safe place.

DO NOT assemble or use this equipment without first reading and understanding the instruction manual.

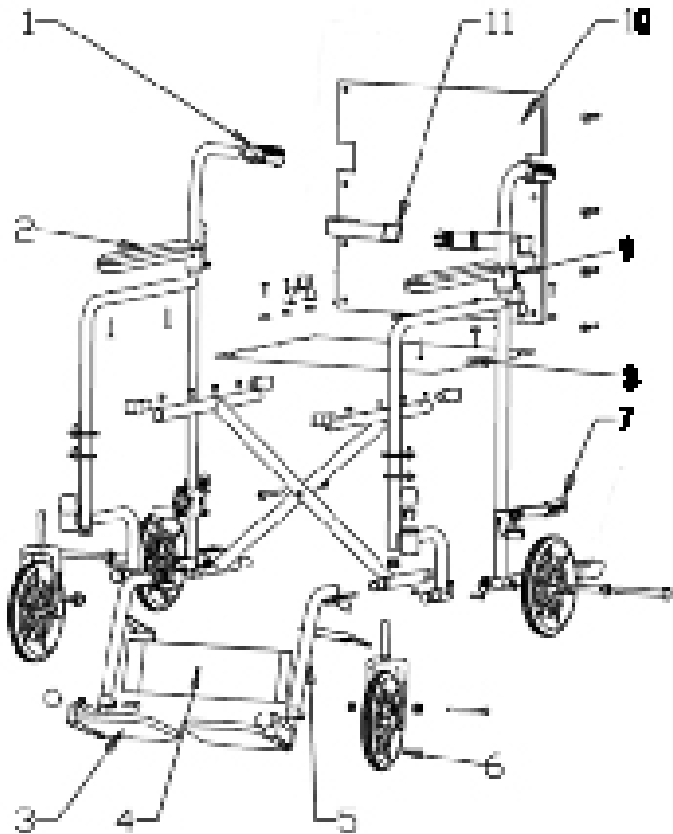
⚠ For Personal Safety

- **The transport chair can provide assistance to an individual weighing up to 136 kg (300 lbs).**
- Do not stand on the footrests as this could cause the chair to tip over.
- Before use, ensure that there are **NO** loose bolts. If loose bolts are found, tighten before use. The bolts should be checked every three months.



NOTE: The connection bolts on the chair base are loosely connected, purposely for operation and no tightening is required.

- When in use, avoid obstacles to prevent the chair from overturning.
- Ensure that the transport chair is completely open and in secure position before use.
- Use caution when lifting and/or carrying the transport chair.
- Make sure the back is locked securely BEFORE using this transport chair.
- **DO NOT** attempt to reach objects if you have to move forward in the seat.
- **DO NOT** attempt to reach objects if you have to pick them up from the floor by reaching down between your knees.
- **DO NOT** lean over the top of the back rest. This will change your center of gravity and may cause you to tip over.
- **DO NOT** tilt the transport chair without assistance.
- **DO NOT** use an escalator to move a transport chair between floors. Serious bodily injury may occur.
- Wheel locks are NOT brakes. **DO NOT** attempt to stop a moving transport chair with the wheel locks.
- **DO NOT** attempt to move up or down an incline if the surface is slippery/wet.
- To clean, wipe with a soft moist cloth and dry promptly after getting wet.



1. Handle grips
2. Armrest
3. Footrest
4. Leg belt
5. Frame tubing

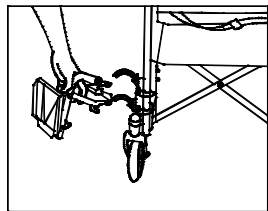
6. 8" wheel
7. Wheel lock
8. Padded seat
9. Folding handle
10. Backrest
11. Seatbelt

Assembly Instructions

Please examine the transport chair for shipping damage.

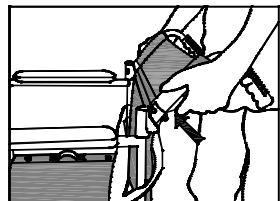
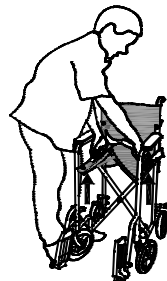
Do not use if there is apparent damage. In the event of damage, please contact: **1-800-387-8520** or visit **www.biosmedical.com**.

1. Open the transport chair frame until it is at its widest, by pushing both sides of the seat down.
2. Remove plastic wrap on wheels.
3. To adjust the height of the footrests, loosen the bolt on the end of the frame tubing. Lengthen or shorten, then tighten the bolt.
4. Insert each footrest into the frame tubing at the front of the chair and turn until they are in the normal operating position.



Folding The Transport Chair

1. Turn the footrests so they are in a vertical position.
2. Simultaneously pull both straps up, to collapse the chair.
3. To collapse the backrest, push the levers on the back of the backrest to release the positioning rod. Fold the backrest back.



Before attempting to transfer in or out of the

transport chair, every precaution should be taken to reduce the gap distance. Turn both casters parallel to the object you are transferring onto. When transferring to and from the transport chair, **ALWAYS ENGAGE BOTH WHEEL LOCKS**. If the transport chair is equipped with hand brakes, **ALWAYS LOCK BOTH HAND BRAKES** before transferring to and from the transport chair.

Locking The Wheels / Unlocking The Wheels

To lock the wheels, press the wheel locks down. To unlock, pull wheel locks up.

One Year Warranty

If this product proves to be defective in material or workmanship within one year of purchase, please return it to the address below. It will be repaired or replaced without charge upon receipt of the unit prepaid with \$10.00 to cover handling, packaging and return postage. Please include proof of purchase, your full name, address and daytime phone number or email address.

Thermor Ltd.
16975 Leslie Street
Newmarket, ON L3Y 9A1
www.biosmedical.com