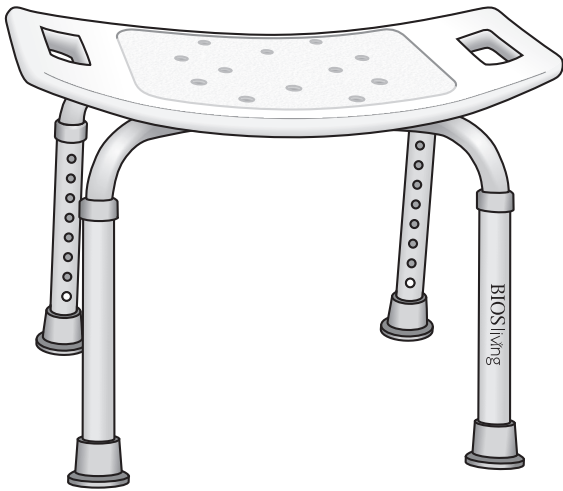


Thank you for purchasing the BIOS Living Adjustable Bath Seat. Please read all instructions carefully before attempting to install your Bath Seat.



### ⚠ CAUTION

- Ensure that the seat is correctly and securely locked in place before using
- **Do not** attempt to assemble the BIOS Living Bath Seat beyond your physical capability and/or without assistance
- Consult with your healthcare provider to determine the suitability of the appliance for the particular user
- **Do not** exceed the maximum weight limit of 300 lbs / 136 kg – doing so may result in injury
- The BIOS Living Bath Seat is not suitable for use as a step

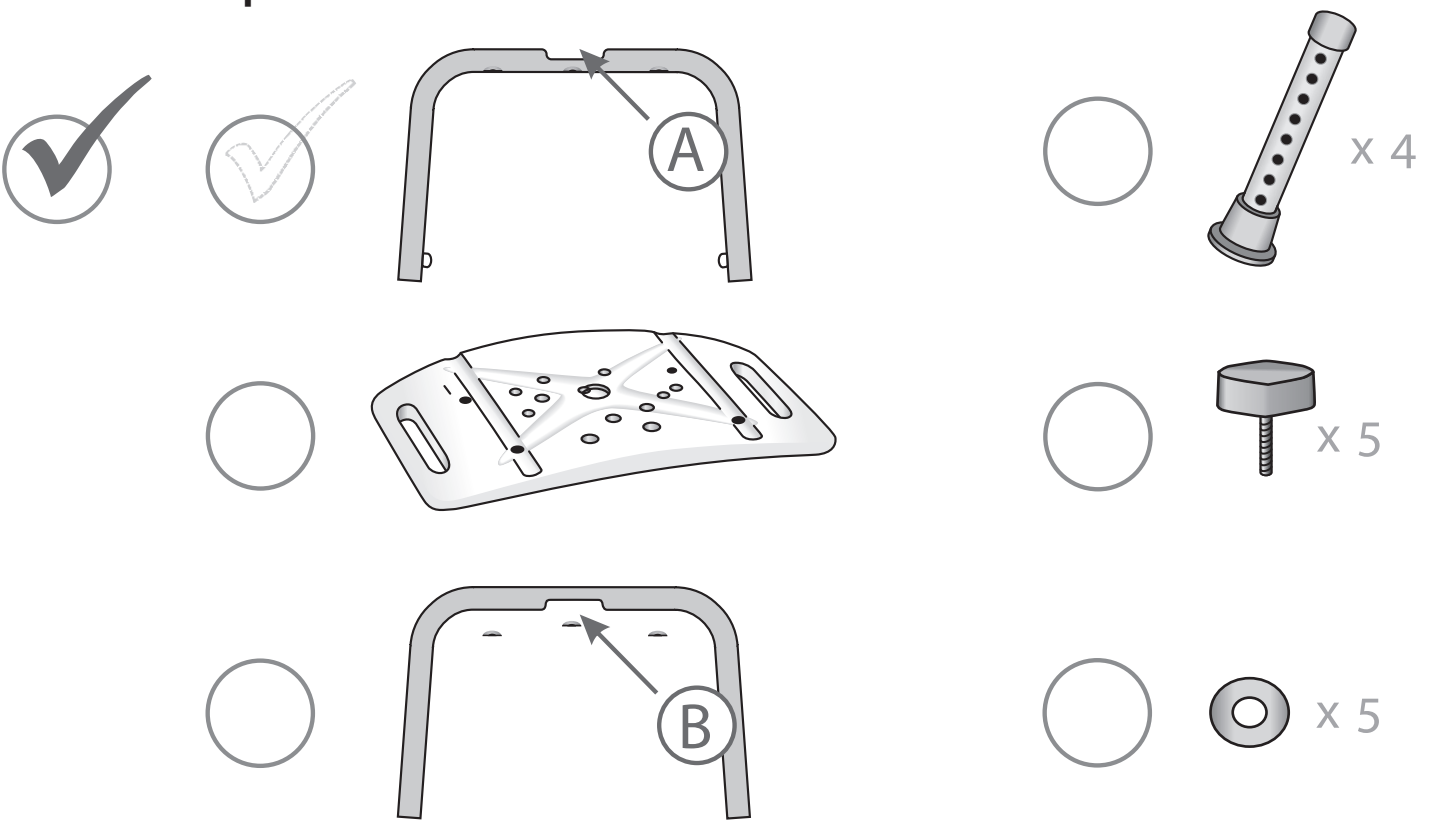
**Note:** the owner's manual was compiled from the most recent specifications and product information available at the time of publication. BIOS Medical reserves the right to make changes, which may cause slight variations between the illustration and explanations in this manual and the product purchased.

### One Year Warranty

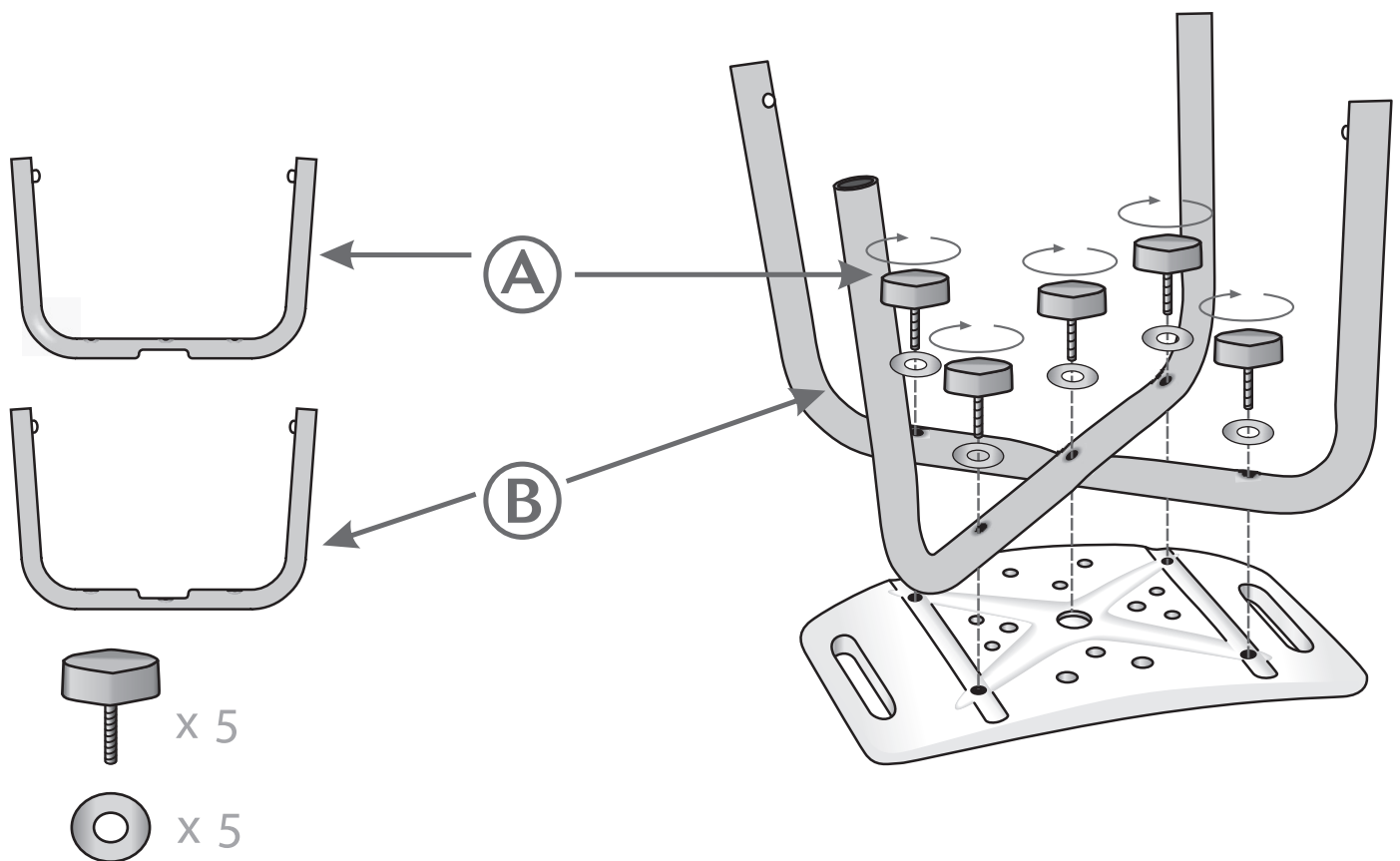
This product is warranted to be free from defects in material or workmanship for one year. It will be repaired or replaced without charge upon receipt of the unit prepaid with \$10.00 to cover handling, packaging and return postage to the address below. Please include your full name, address and daytime phone number or email address.

This warranty does not extend to normal wear and replacement, alterations, abuse, misuse or accidental damage. Rental of this product voids warranty.

### 1. Check all parts



### 2. Installation



### 3.

