

Thank you for purchasing the BIOS Living Adjustable Bath Seat with Backrest. Please read all instructions **carefully** before attempting to install your Bath Seat.

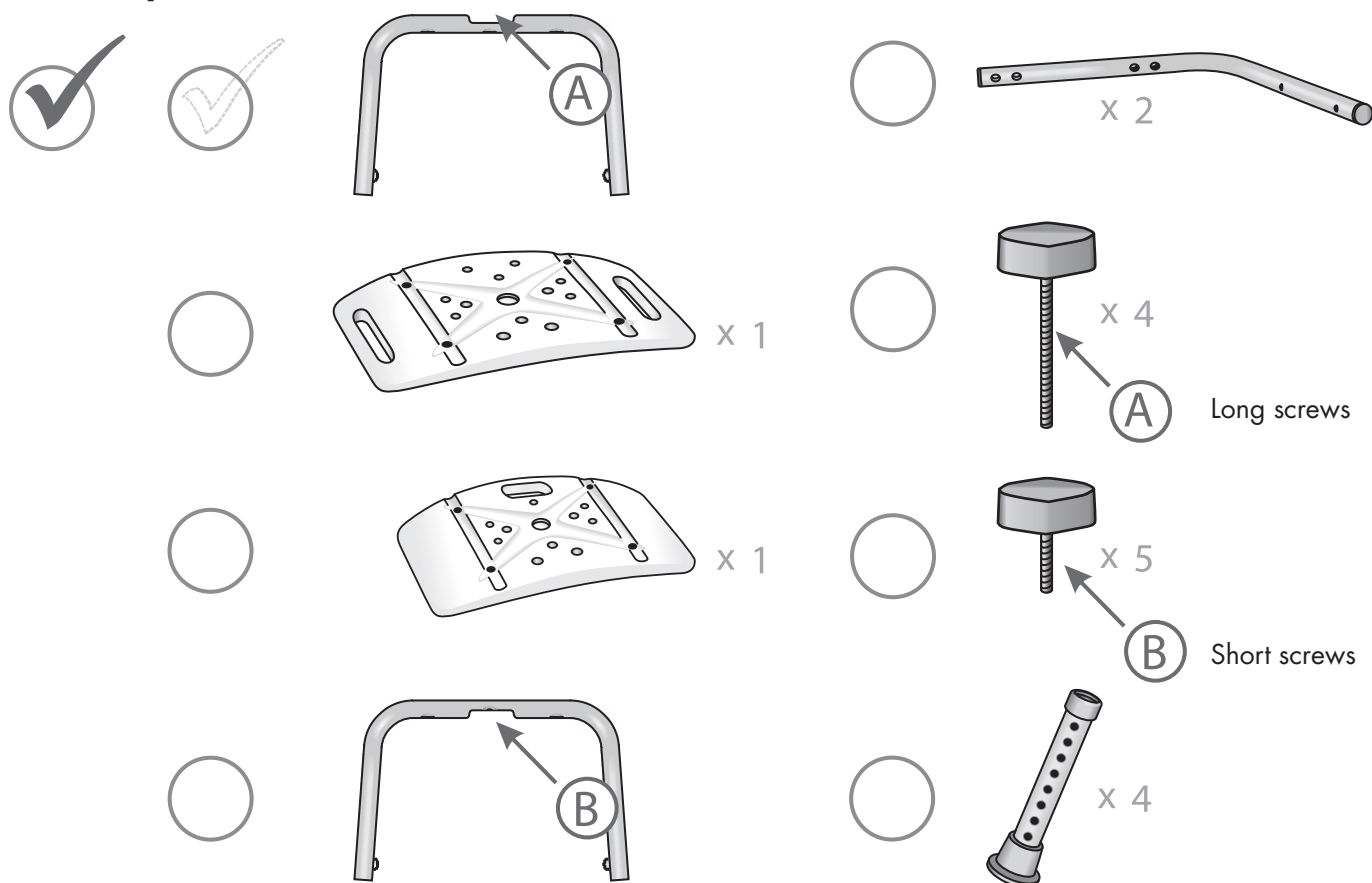
### CAUTION

Ensure that the seat is correctly and securely locked in place before using.

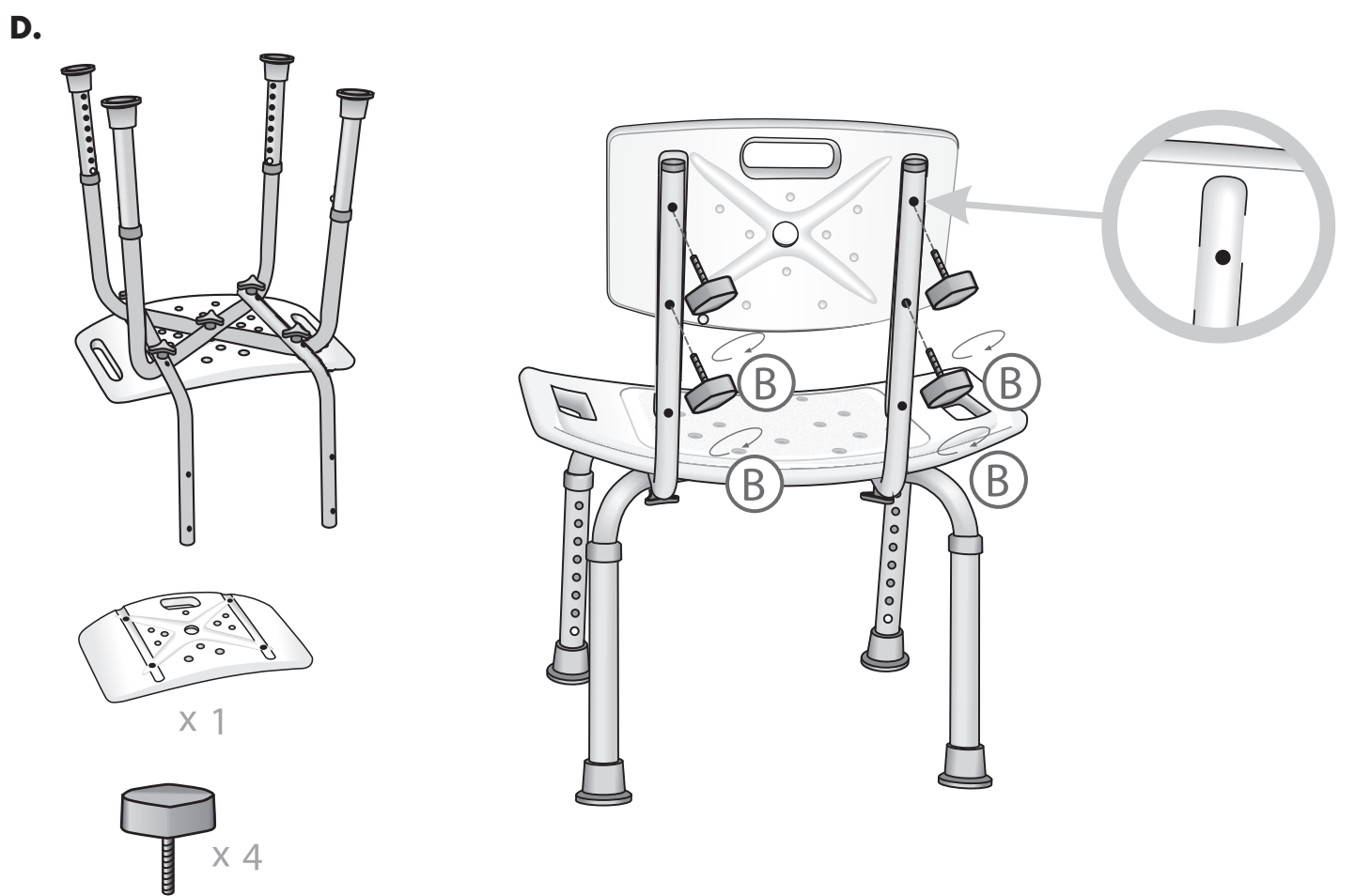
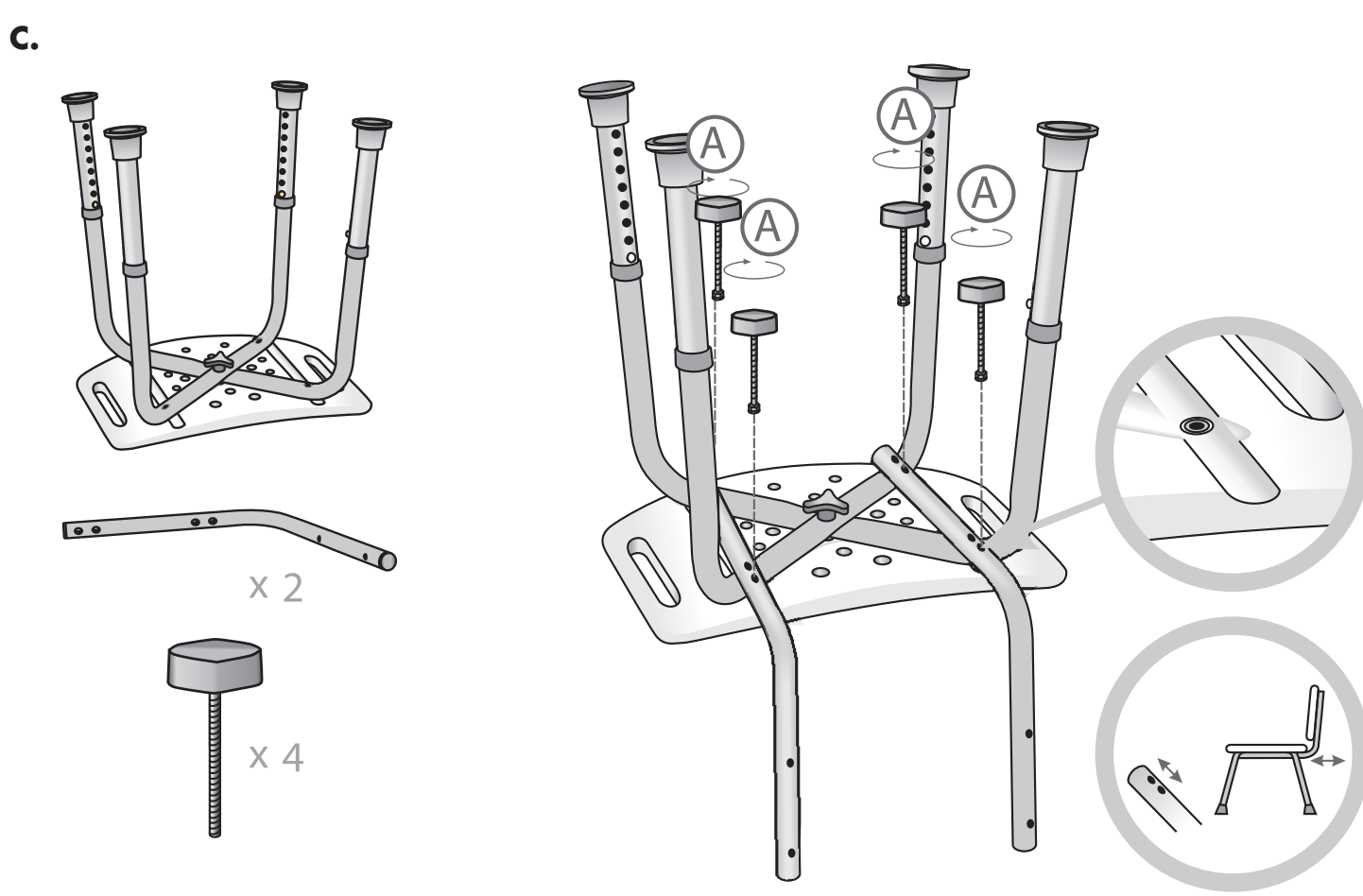
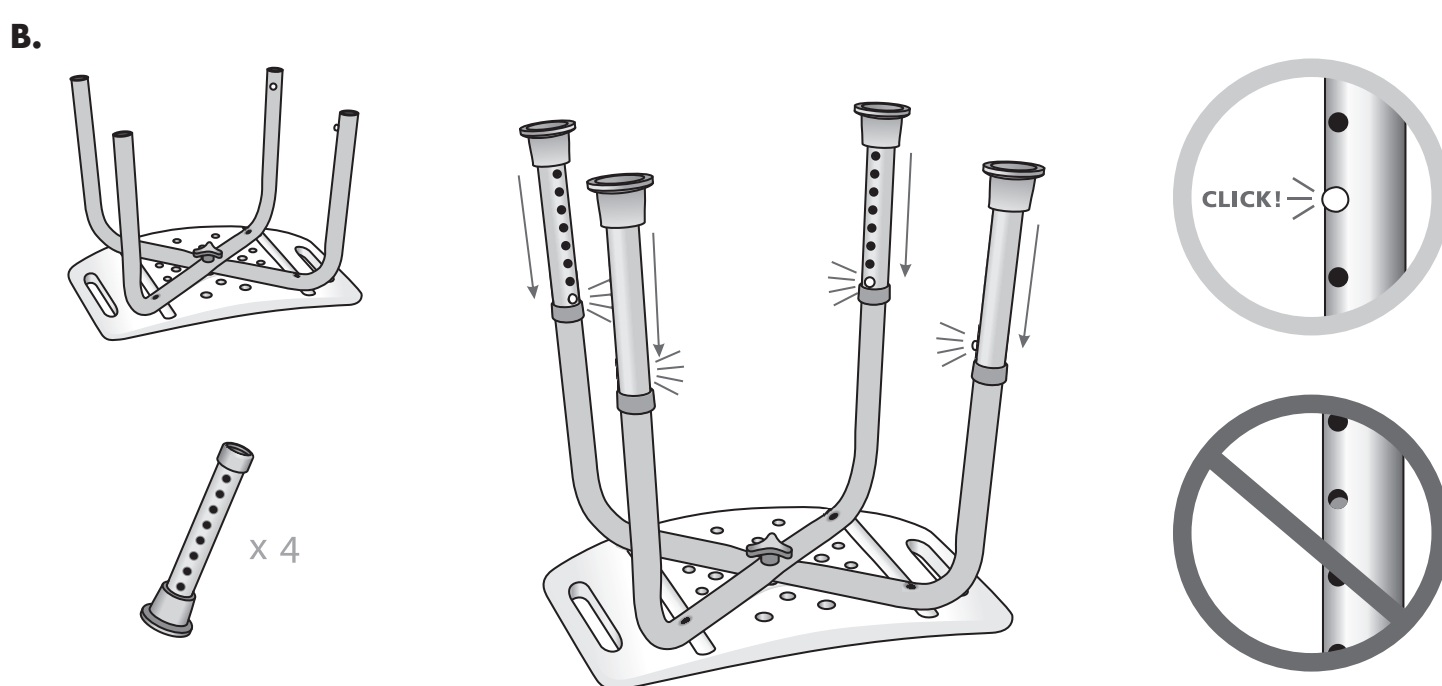
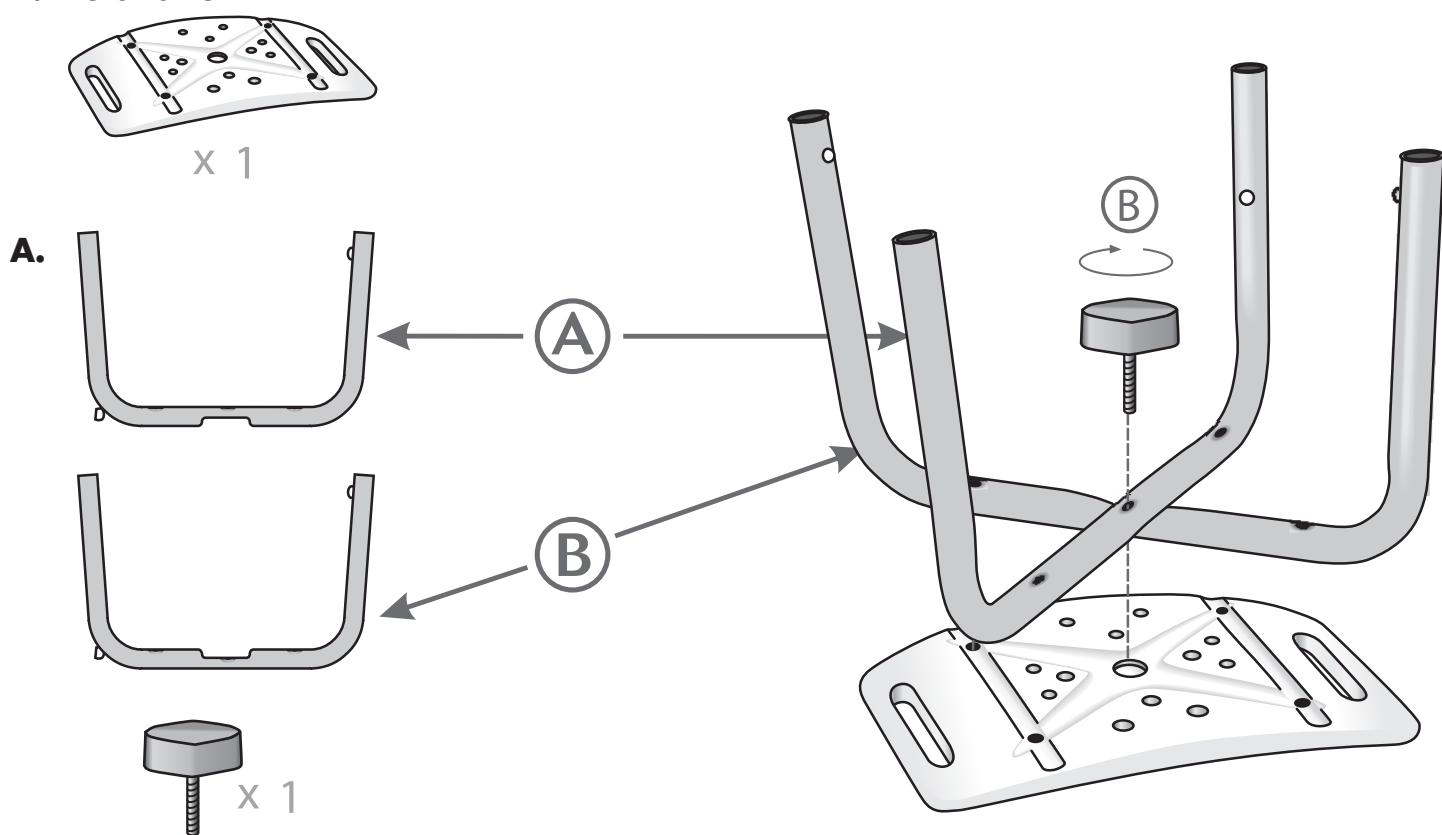
- Do not attempt to assemble the BIOS Living Bath Seat beyond your physical capability and/or without assistance
- Consult with your healthcare provider to determine the suitability of the appliance for the particular user.
- **Do not** exceed the maximum weight limit of 300 lbs / 136 kg. - doing so may result in injury.
- The BIOS Living Bath Seat is not suitable for use as a step.

**Note:** the owner's manual was compiled from the most recent specifications and product information available at the time of the publication. Thermor Ltd. reserves the right to make changes, which may cause slight variations between the illustration and explanations in this manual and the product purchased.

### 1. Check all parts



### 2. Installation



### Limited Lifetime Warranty

The BIOS Living Adjustable Bath Seat with Backrest has a Limited Lifetime warranty to be free of manufacturing defects in materials and workmanship under normal applications. If this product becomes inoperable due to defect and requires repair, return the product with all component pieces and proof of purchase to the address listed below. This warranty does not cover any shipping/transport costs. This warranty does not apply if the product is subject to misuse, neglect, rough handling or damage.

Ship the unit prepaid and insured (at owners option) to:

**Thermor Ltd.**  
Attn: Repair Department  
16975 Leslie Street  
Newmarket, ON L3Y 9A1

www.biosmedical.com  
Email: support@biosmedical.com

BIOS | Medical  
MANUFACTURED BY / FABRIQUÉ PAR :  
**THERMOR LTD.**  
16975 LESLIE STREET  
NEWMARKET, ON L3Y 9A1  
MADE IN CHINA / FABRIQUÉ EN CHINE  
WWW.BIOSMEDICAL.COM