

**TRANSPORTATION  
CHAIR**

**BIOS**  
*Diagnostics*<sup>™</sup>



**INSTRUCTION  
MANUAL**

# BIOS

*Diagnostics™*

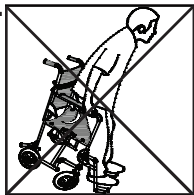
Thank you for purchasing the BIOS Diagnostics™ Transportation Chair. This transportation chair has an easy-to-use collapsible design which enables the chair to fit easily in most vehicles, and to be stored away when not in use.

Please read these instructions before assembly or use of this transportation chair, and please keep the manual in a safe place.

**DO NOT assemble or use this equipment without first reading and understanding the instruction manual.**

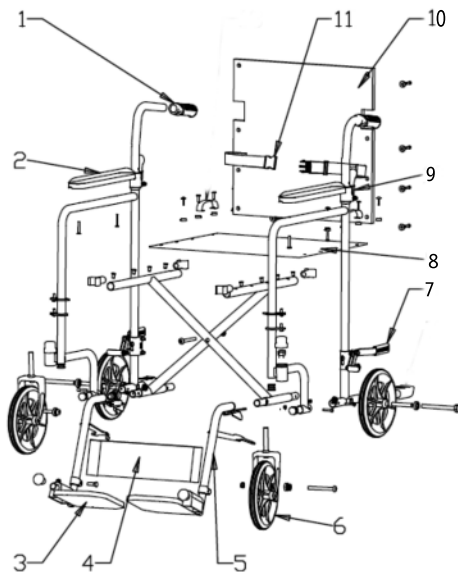
## For Personal Safety

- **The transportation chair can provide assistance to an individual weighing up to 110kg (242lbs).**
- Do not stand on the footrests as this could cause the chair to tip over.
- Before use, ensure that there are not any loose bolts. If loose bolts are found, tighten before use. The bolts should be checked every three months.



**NOTE:** The connection bolts on the chair base are loosely connected purposely for operation, and no tightening is required.

- When in use, avoid obstacles to prevent the chair from overturning
- Ensure the chair is completely open and in a secure position before use.
- Use caution when lifting and carrying the transportation chair.
- To clean, wipe with a soft cloth. Dry promptly after getting wet.

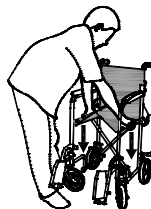


- |                 |                   |              |
|-----------------|-------------------|--------------|
| 1. Handle grips | 6. 8" wheel       | 11. Seatbelt |
| 2. Armrest      | 7. Wheel lock     | 12. Strap    |
| 3. Footrest     | 8. Padded seat    |              |
| 4. Leg belt     | 9. Folding handle |              |
| 5. Frame tubing | 10. Backrest      |              |

## Assembly Instructions

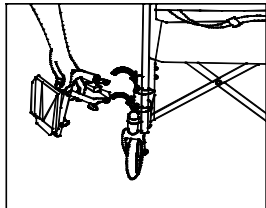
Please examine the transportation chair for shipping damage. Do not use if there is apparent damage. In the event of damages, please contact your place of purchase for repair and/or return information.

1. Open the transportation chair frame until it is at its widest, by pushing both sides of the seat down.
2. Remove plastic wrap on wheels.



3. To adjust the height of the footrests, loosen the bolt on the end of the frame tubing. Lengthen or shorten, then tighten the bolt.

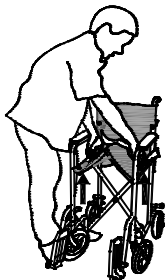
4. Insert each footrest into the frame tubing at the front of the chair and turn until they are in the normal operating position.



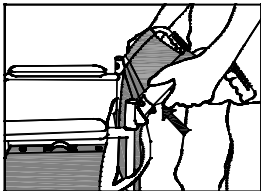
## **Folding the transportation chair**

1. Turn the footrests so they are in a vertical position.

2. Simultaneously pull both straps up, to collapse the chair.



3. To collapse the backrest, push the buttons on the back of the backrest to release the positioning rod from the positioning hole. Fold the backrest back.



## **Locking the wheels / Unlocking the wheels**

To lock the wheels to stop operation of the transportation chair, press the wheel locks down. To unlock, pull wheel locks up.

## **One Year Warranty**

If this product proves to be defective in material or workmanship within one year of purchase, please return it to the address below. It will be repaired or replaced without charge upon receipt of the unit prepaid with \$10.00 to cover handling, packaging and return postage. Please include proof of purchase, your full name, address, daytime phone number or email address.



16975 Leslie Street,  
Newmarket, ON L3Y 9A1  
[www.biosexactly.com](http://www.biosexactly.com)