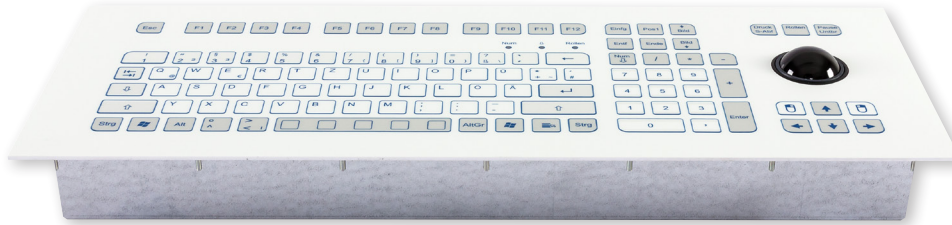
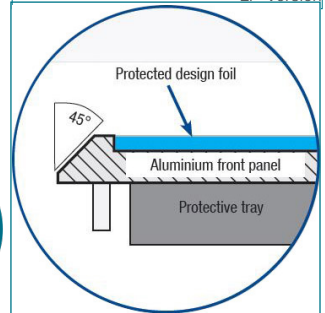


TKS-105c-TB38-MODUL and EP*



*EP-Version



FEATURES

- Panel mount version with reserve side threaded bolts
- Excellent tactile feedback
- Key relief printing
- Chemical, abrasion and scratch resistant frontsheet
- Resistant against dirt, dust and liquids (IP65)
- Frontplate alternatively with edge protection
- Integrated 38 mm trackball

TECHNICAL DATA

Number of keys:	105	Dimensions:	482.6 x 177.8 x 61.6 mm
Keyswitch technology:	short travel keys	Dimensions (with EP):	482.6 x 177.8 x 62 mm
Operating force:	2.6 N	Compliance:	
Switch travel:	0.3 mm	-- Global:	REACH,
Switching cycles:	approx. 3 mill. (per key)		RohS self-declaration
Protection level (max):	IP65 static, IP54 dynamic	Weight:	1300 g
Mounting type:	front panel with threaded bolts		
Front panel material:	aluminium		
Interfaces:	USB		
USB compatibility:	USB V1.1 compliance		
Operating temperature:	0 °C to +70 °C		
Storage temperature:	-25 °C to +80 °C		

TECHNICAL DATA TRACKBALL

Ball diameter:	38 mm
Ball material:	phenolic resin
Operating principle:	mechanical

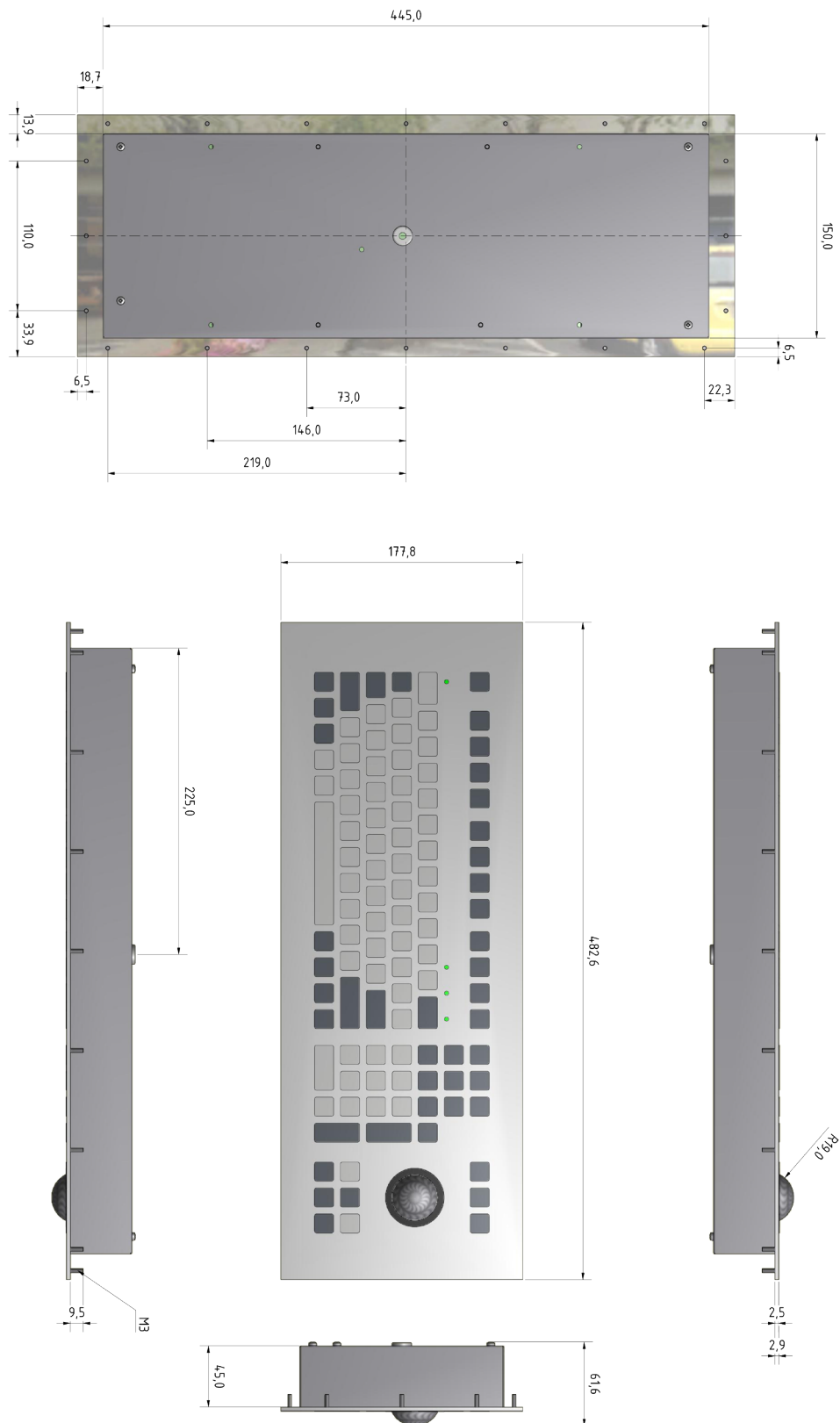
*As a special feature, the EP version offers a deep milled front panel with a peripheral edge for optimum protection of the foil edge.

Cat.No.	Product description	Interface	Layout
KS18276	TKS-105c-TB38-MODUL-USB-DE	USB	German
KS18277	TKS-105c-TB38-MODUL-USB-US	USB	US
KS18367	TKS-105c-TB38-MODUL-EP-USB-DE with Edge Protection	USB	German
KS18368	TKS-105c-TB38-MODUL-EP-USB-US with Edge Protection	USB	US

Other language versions/interfaces/configurations available on request.

Subject to modifications and errors

TECHNICAL DRAWING (in mm)



Subject to modifications and errors

GETT Gerätetechnik GmbH

Mittlerer Ring 1 | 08233 Treuen | Germany
Tel: +49 37468 660-0
Fax: +49 37468 660-66
E-Mail: info@gett.de
Internet: www.gett.de

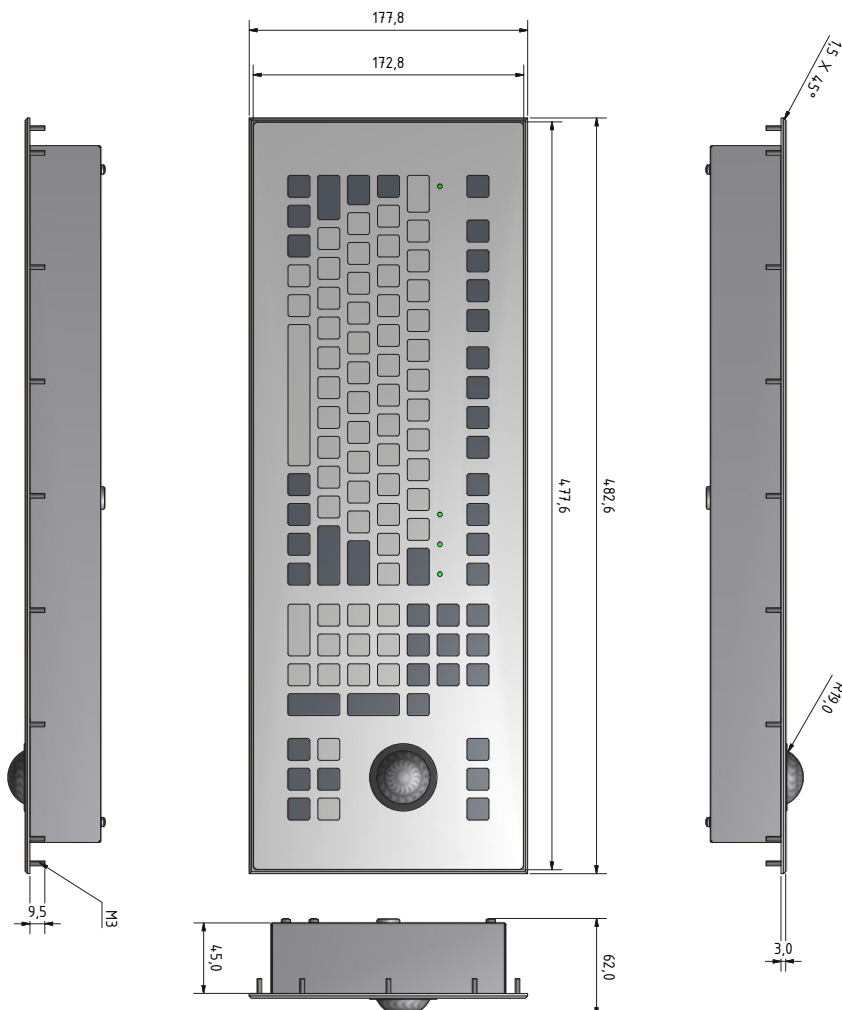
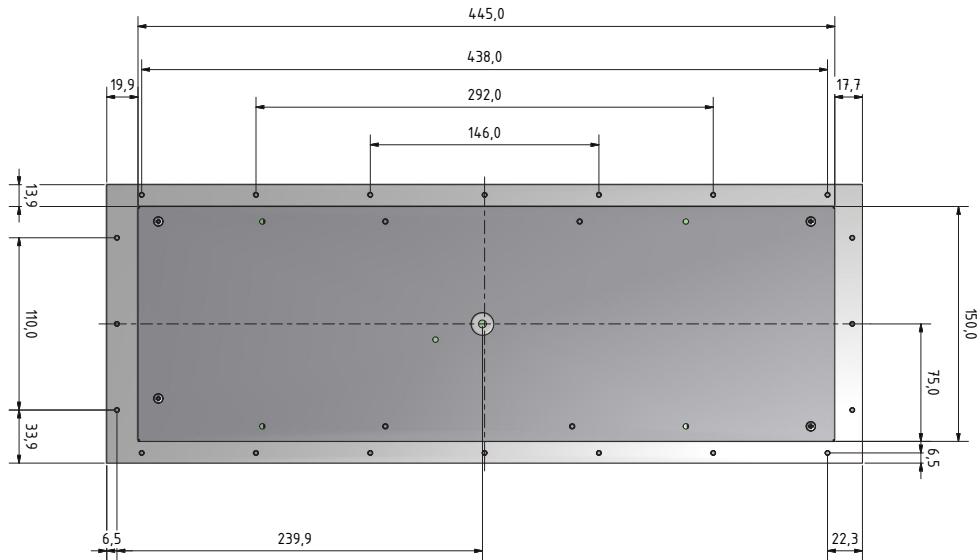
Gett North America LLC

E-Mail: info@gett-na.com
Internet: www.gett-na.com

Gett Asia Ltd.

E-Mail: info@gett-asia.com
Internet: www.gett-asia.com

TECHNICAL DRAWING with EP (in mm)



Subject to modifications and errors

GETT Gerätetechnik GmbH

Mittlerer Ring 1 | 08233 Treuen | Germany
 Tel: +49 37468 660-0
 Fax: +49 37468 660-66
 E-Mail: info@gett.de
 Internet: www.gett.de

Gett North America LLC

E-Mail: info@gett-na.com
 Internet: www.gett-na.com

Gett Asia Ltd.

E-Mail: info@gett-asia.com
 Internet: www.gett-asia.com