

TKH-MOUSE-PRO-IND-IP68-BLACK / GREY-USB  
**INDOUSE PRO**



Suitable for use on various surfaces



PRODUCT FEATURES

- Silicone mouse that works on glass and transparent surfaces
- Industrial mouse with aluminium bottomplate
- Ergonomic functionality with two mousebuttons and three-button scroll function
- Due to the symmetric shape it's suitable for right-hand and also left-hand operation
- Completely water and dust proof
- A silicone cap protects the USB connector during cleaning against splash water
- Resolution adjustable in 7 levels from 400 to 1600 cpi
- Easy to clean and to disinfect
- EMC compliant with EN 60601-1-2 Edition 4



SPECIFICATION

Number of keys:	5	Cable length:	approx. 2 m
Housing:	silicone	Operating temperature:	-25 °C bis +70 °C
Bottom panel:	aluminium	Storage temperature:	-40 °C to +85°C
Colour:	black, grey	Dimensions:	116 x 62 x 38,6 mm
Keyswitch technology:	short travel keys	Weight:	180 g
Operating principle:	infrared	Compliance:	
Resolution:	400 bis 1600 dpi (adjustable in steps of 200)	-- Europe:	CE
Scrollfunction:	3 scrollbuttons	-- USA/Canada:	FCC
Protection level:	IP68	-- Global:	REACH, RoHS self declaration
Interface:	USB	Guarantee:	4 years on the electrical function
USB Compatibility:	compliant with USB 2.0		

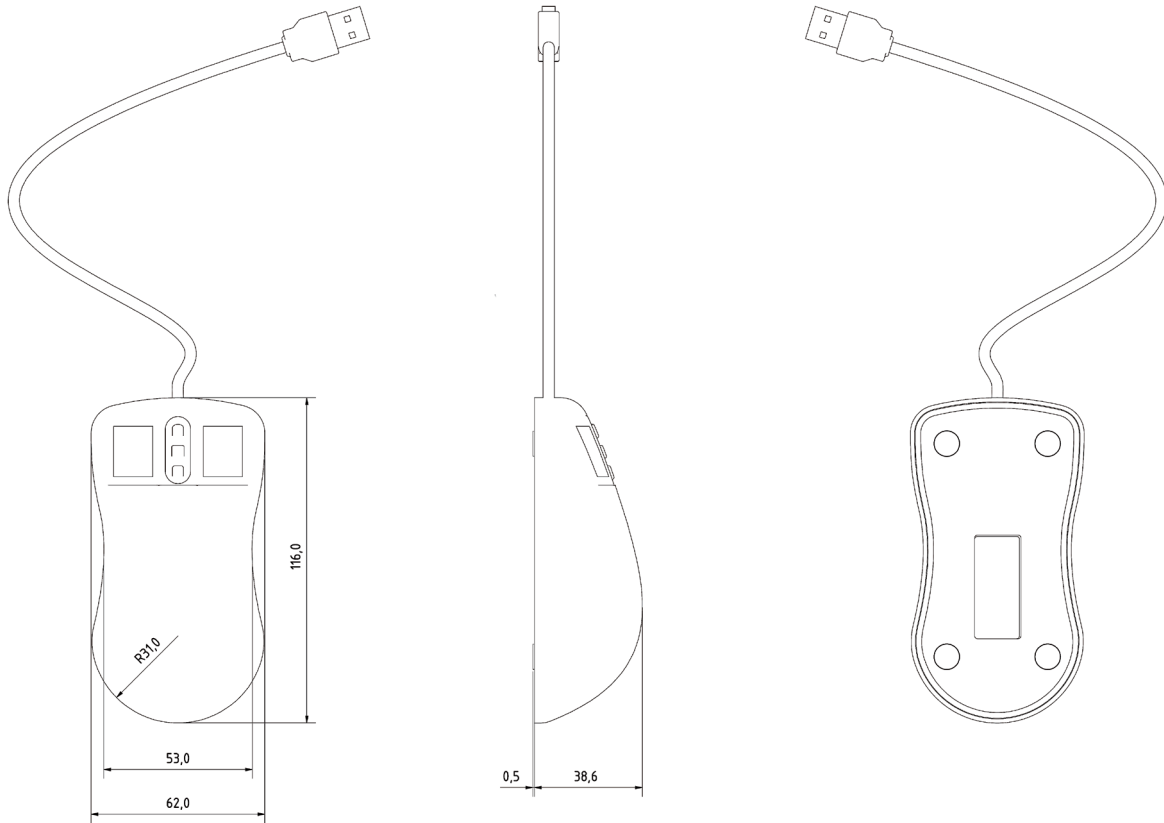
Subject to modifications and errors



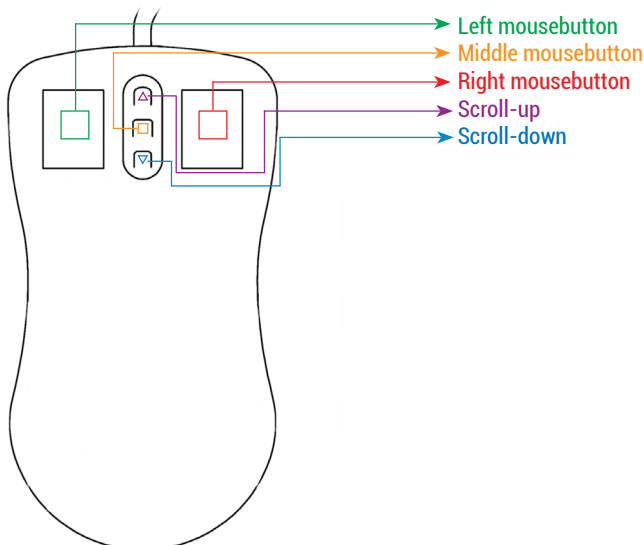
Art.No.	Product name	Colour
KH29303	TKH-MOUSE-PRO-IND-IP68-BLACK-USB	black
KH29202	TKH-MOUSE-PRO-IND-IP68-GREY-USB	grey

Other configurations and interfaces on request.

## TECHNICAL DRAWING



### Mouse functions when using standard Windows® drivers



### Resolution adjustment:

Due to the infrared scanning used, the resolution can be set from 400 to 1600 cpi in steps of 200. Keep left and right mousebutton pressed at once and adjust the resolution with the scrollbuttons:

- Scroll-up: higher resolution
- Scroll-down: lower resolution

Subject to modifications and errors