



### Parts Included

Quantity	Item Description	Part#
2	IFP Smooth Body Shock	DK-815885R-A1200

Please check that all items are present before installation. If for any reason, there is an item or items missing send an email to [sales@dirtking.com](mailto:sales@dirtking.com) with proof of purchase and a picture of parts received.



Before installing, read all instructions. Only certified mechanics should install Dirt King products. Mandatory wheel alignment and ADAS calibration at certified facilities are required after suspension modifications. Failure to do so can lead to handling problems and safety risks. Dirt King is not responsible for damages from improper installation or misuse. Adhere to your vehicle manufacturer's recommendations. For more information, visit <https://dirtking.com/pages/disclaimer>

### Step 1: Disassembly

Start by raising the vehicle and placing jack stands under the frame rails. Lower the axle to release tension off the suspension. Remove lower shock absorber mounting hardware (**Image 1**). Remove upper shock absorber mounting hardware (**Image 2**).

Image 1

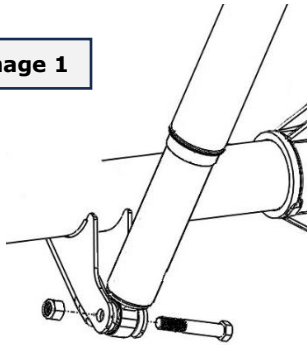
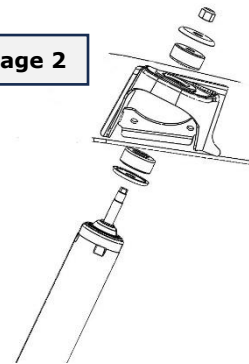


Image 2



### Step 2: Assembly

Install Dirt King shock to upper frame mount (**Image 3**) and loosely install the nut. Insert the shock into the lower axle mount and loosely install the OEM hardware (**Image 4**). Lower the vehicle so it's sitting on its own weight. Press down on the vehicle several times to stabilize the suspension.

Image 3

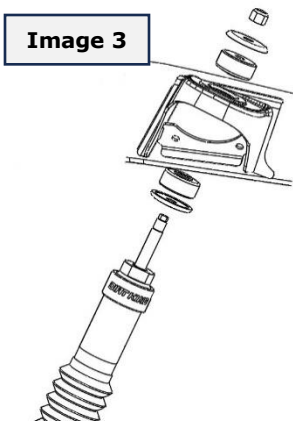
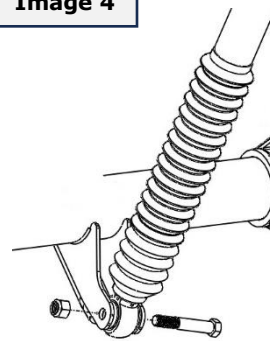


Image 4



### Step 3: Torque Hardware

With the vehicle on its own weight torque all hardware to following specs:

**Rear shock upper stem nut:** 21ft lbs.

**Rear shock lower axle mount bolt:** 66ft lbs.