



SDHQ Motorsports  
190 S McQueen Rd  
Ste 109 Gilbert, AZ 85233  
[www.SDHQoffroad.com](http://www.SDHQoffroad.com)

---

## Product Packing List

**Product:** *SDHQ-83-1141-G2*

**Description:** SDHQ Built 2016-Current Titan under-Hood  
Power Module Mount

_____ (1) Titan Power Module Mount	SDHQ-83-1141-G2
_____ (1) Hardware Package	SDHQ-83-1141-G2-HP
_____ (2) M6-1.0 x 20mm S.S. Hex Head Bolt	
_____ (4) M6 S.S. Washer	
_____ (2) M6-1.0 S.S. Nylon Locknut	
_____ (2) #8 S.S. Washer	

Inspected and Packaged By: \_\_\_\_\_ Date: \_\_\_\_\_

For questions or help with the installation, please email [help@sdhqoffroad.com](mailto:help@sdhqoffroad.com)  
Store front hours: Mon. – Fri. 8:00am – 5:30pm and Sat. 9:00am – 2:00pm Arizona Time.

For questions or help with the installation, please email [help@sdhqoffroad.com](mailto:help@sdhqoffroad.com)  
Store front hours: Mon. – Fri. 8:00am – 5:30pm and Sat. 9:00am – 2:00pm Arizona Time.

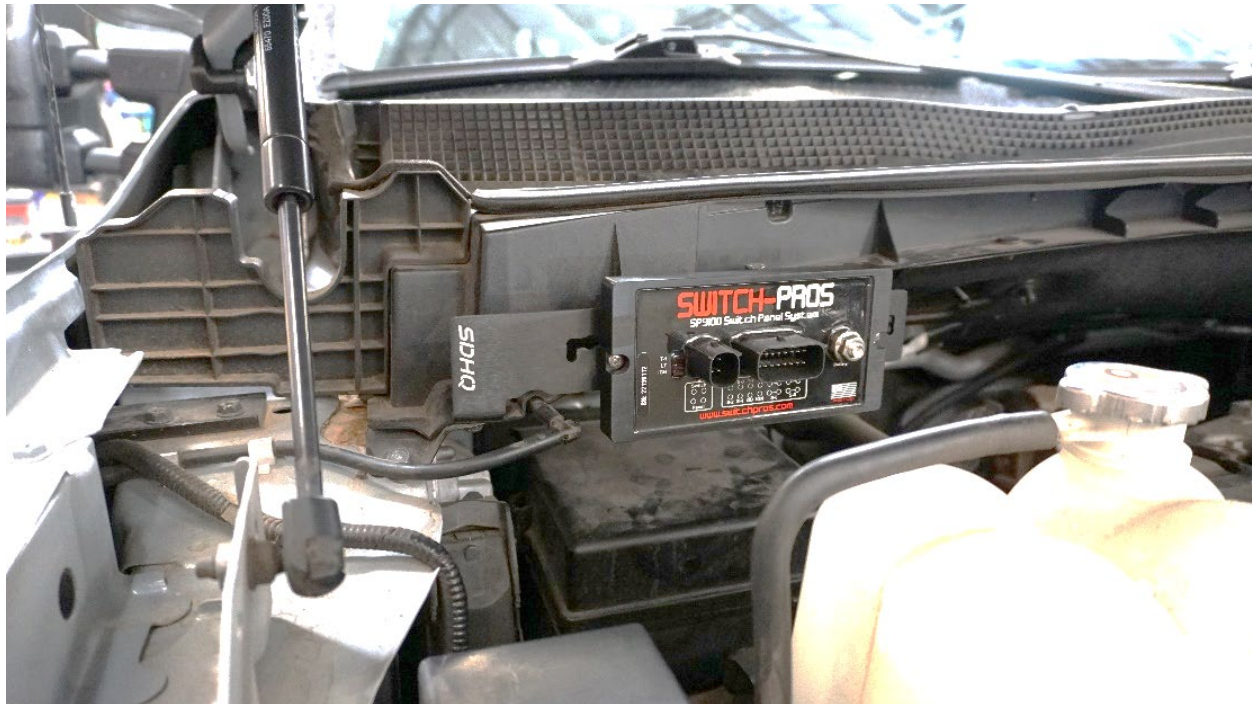


SDHQ Motorsports  
 190 S McQueen Rd  
 Ste 109 Gilbert, AZ 85233  
[www.SDHQoffroad.com](http://www.SDHQoffroad.com)

## INSTALLATION INSTRUCTIONS

**Product:** SDHQ-83-1141-G2

**Description:** SDHQ Built 2016-Current Titan Under-Hood Power Module Mount



Parts List	Hardware List	Required Tools
(1) SDHQ Power Module Mount SDHQ-83-1141-G2 (1) SDHQ Hardware Pack SDHQ-83-1141-G2-HP	(2) M6-1.0 x 20mm S.S. Hex Head Bolt (4) M6 S.S. Washer (2) M6-1.0 S.S. Nylon Locknut (2) #8 S.S. Washer	10mm Socket 10mm Wrench Ratchet Panel Removal Tool

### Tech Notes

**Fits: 2016-Current Nissan Titan/Titan XD**

No cutting or drilling required

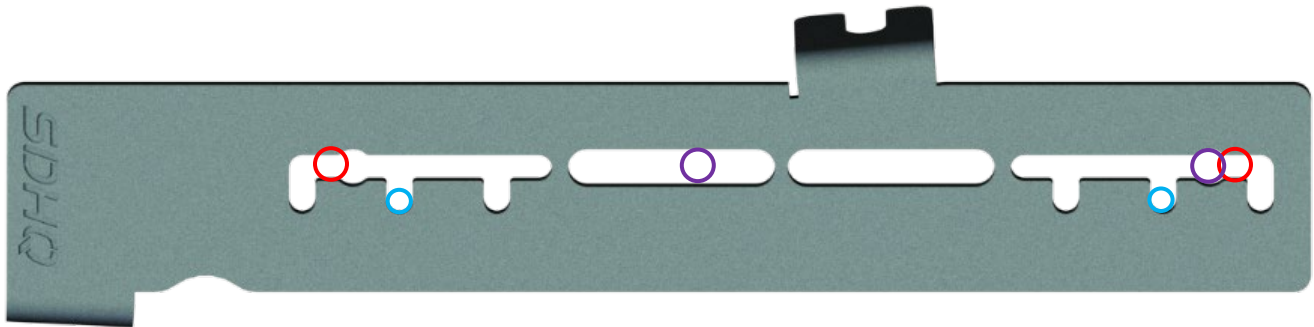
Uses factory Switch Pros hardware to mount to mounting plate

**Approx. Install Time: 30 Minutes** (not including wiring)

For questions or help with the installation, please email [help@sdhqoffroad.com](mailto:help@sdhqoffroad.com)  
 Store front hours: Mon. – Fri. 8:00am – 5:30pm and Sat. 9:00am – 2:00pm Arizona Time.

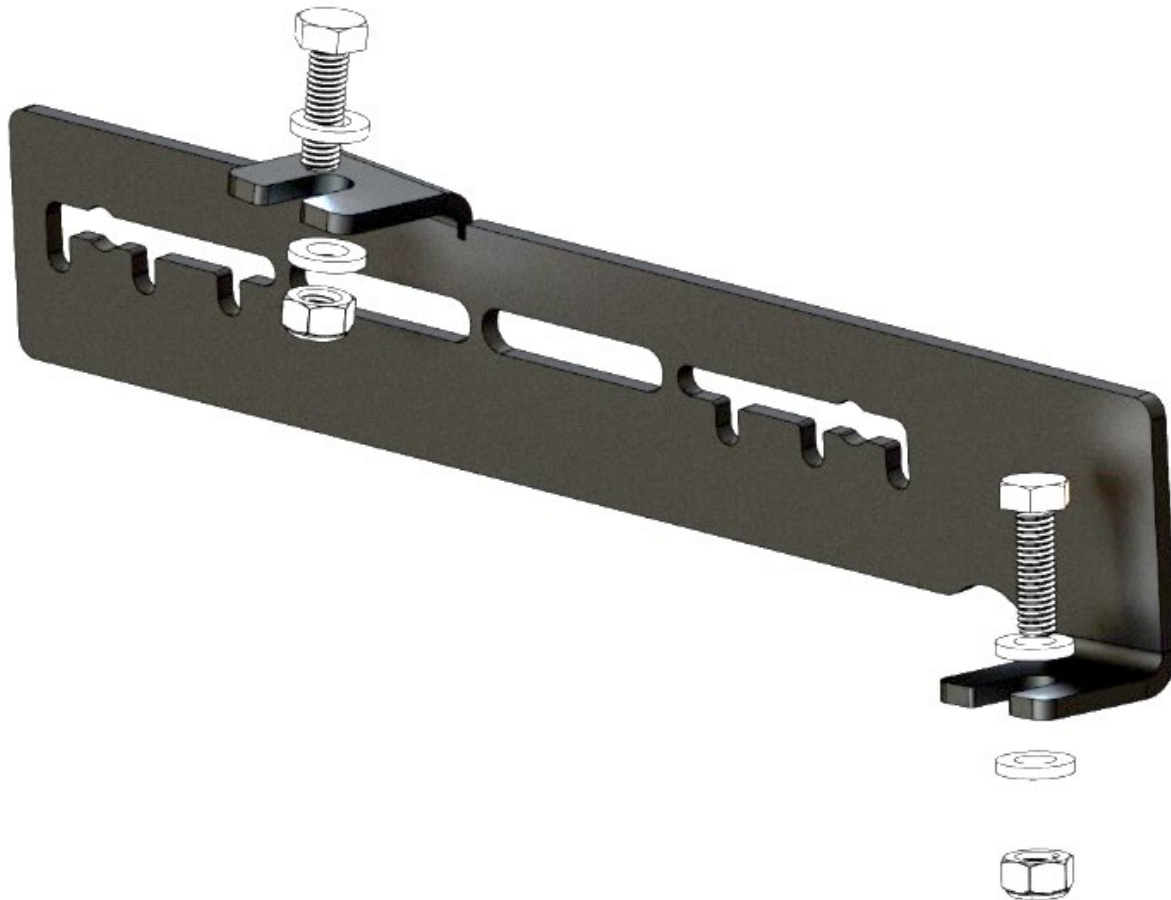
\*\*\*READ ALL INSTRUCTIONS THOROUGHLY FROM START TO FINISH BEFORE BEGINNING INSTALLATION! \*\*\*

## 83-1141-G2



**Red Circle:** Switch Pros RCR-12      **Blue Circle:** Switch Pros 9100  
**Purple Circle:** Garmin PowerSwitch

Note: 9100 can be moved to the left or right of slot shown above, PowerSwitch can be mounted on left or right side of mount.



For questions or help with the installation, please email [help@sdhqoffroad.com](mailto:help@sdhqoffroad.com)  
Store front hours: Mon. – Fri. 8:00am – 5:30pm and Sat. 9:00am – 2:00pm Arizona Time.

## **Installation Instructions:**

1. Unbox your SDHQ Built Titan Power Module Mount and set it on a clean table. Verify that all parts are present and familiarize yourself with them.
2. Open the hood and locate (2) plastic clips that are found near the passenger side cowl using a panel removal tool, pop them out of the panel.



3. Thread the provided (2) M6 Hex Bolts and M6 washers into the holes. On the other end of the bolt install the remaining (2) M6 washers and (2) M6 Nylock nuts. Have the (2) bolts tightened by hand leaving room for the mount. Slide the SDHQ Power Module Mount in between the plastic cowl and M6 washers as shown. Now completely tighten the M6 bolts using a 10mm socket and wrench.



4. Enjoy your new SDHQ Built Titan Power Module Mount!

## **Switch Pros Wiring:**

Once the Switch-Pros power module is mounted, but BEFORE it is connected to anything else, do the following:

1. Reinstall battery (if battery was removed during installation), and secure factory connections. Start vehicle and confirm that battery is properly installed, connected and grounded.
2. Connect the Switch-Pros Ground wire lug to the negative terminal on the battery (grounding elsewhere will not properly filter noise and will void your product warranty).
3. Plug the 16-pin harness into the power module; be sure it locks in.
4. Connect the red Battery Cable to the positive terminal on the battery. Tighten down both ends, to prevent lug from rotating and possibly causing friction or spark, refer to the **Switch Pros** installation instructions for further wiring procedure.

For questions or help with the installation, please email [help@sdhqoffroad.com](mailto:help@sdhqoffroad.com)  
Store front hours: Mon. – Fri. 8:00am – 5:30pm and Sat. 9:00am – 2:00pm Arizona Time.

**\*\*\*Double check all hardware is installed correctly and tight\*\*\***

**\*\*\*Re-torque ALL bolts after 100 miles\*\*\***



190 S McQueen Rd  
Ste 109 Gilbert, AZ 85233  
[www.sdhqoffroad.com](http://www.sdhqoffroad.com)

Follow us on:



Facebook



Instagram

For questions or help with the installation, please email [help@sdhqoffroad.com](mailto:help@sdhqoffroad.com)  
Store front hours: Mon. – Fri. 8:00am – 5:30pm and Sat. 9:00am – 2:00pm Arizona Time.