



SDHQ Motorsports
190 S McQueen Rd
Ste 109 Gilbert, AZ 85233
www.SDHQoffroad.com

Product Packing List

Product: SDHQ-71-1113-G4-UB

Description: 2020+ GM 2500/3500 HD Under Bed Air
Compressor Mount

_____ (1) Main Compressor Mount

SDHQ-71-1113-G4-UB

Inspected and Packaged By: _____ Date: _____

For questions or help with the installation, please email help@sdhqoffroad.com
Store front hours: Mon. – Fri. 8:00am – 5:30pm and Sat. 9:00am – 2:00pm Arizona Time.

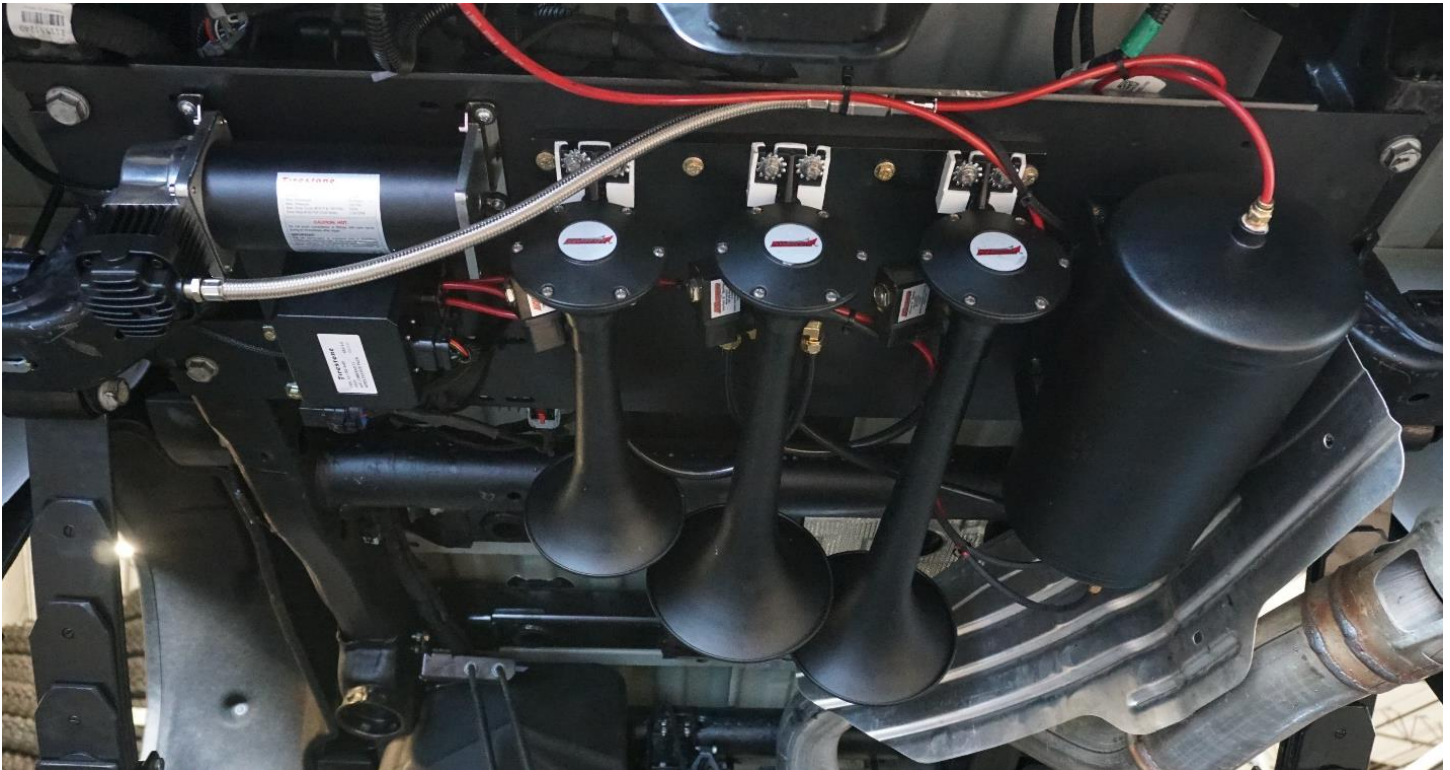


SDHQ Motorsports
190 S McQueen Rd
Ste 109 Gilbert, AZ 85233
www.SDHQoffroad.com

INSTALLATION INSTRUCTIONS

Product: SDHQ-71-1113-G4-UB

Description: 2020+ GM 2500/3500 Under Bed Air Compressor Mount



Parts List	Hardware List	Required Tools
(1) Main Compressor Mount SDHQ-71-1113-G4-UB	N/A	Standard/Metric Socket Set Ratchet Jack

Tech Notes

Fits 2020+ GMC/Chevy HD 2500/3500 Trucks.

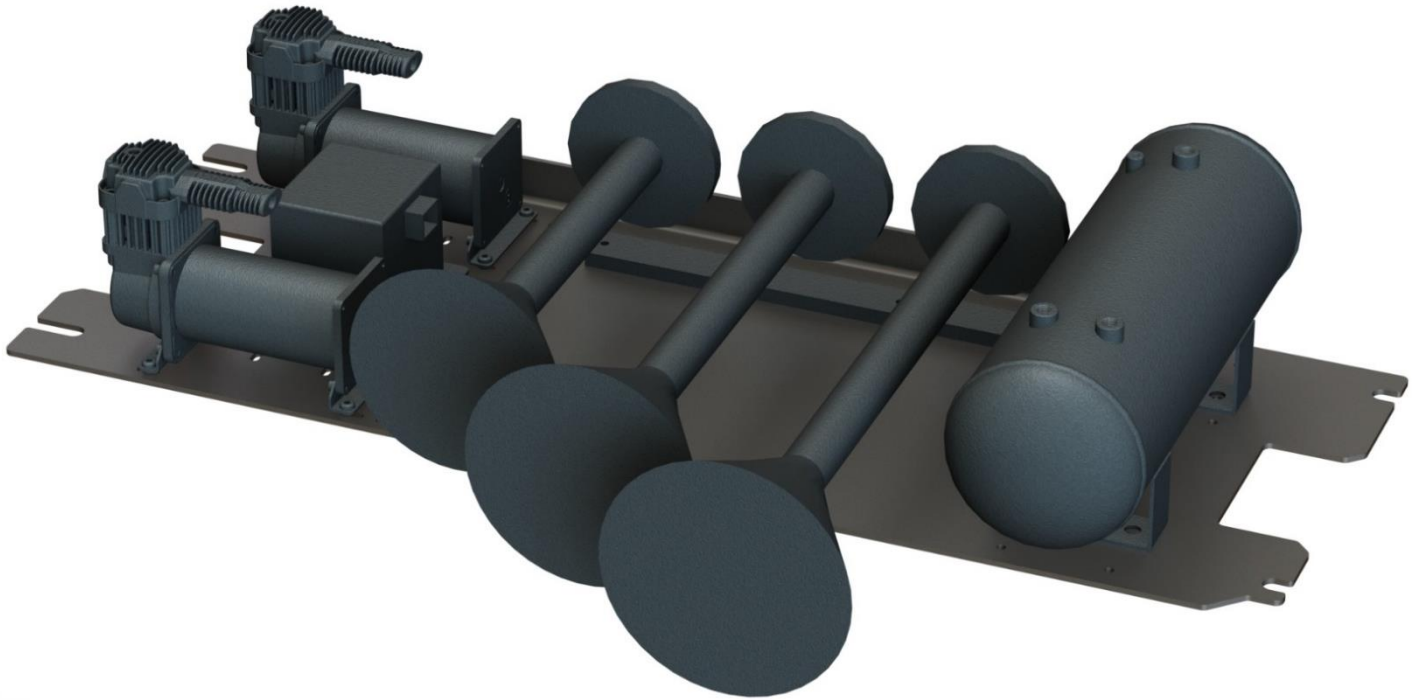
Spare tire will need to be removed. This kit mounts the air compressor in place of the spare tire.

Compatible with Viair Expedition High Pressure System, Viair Mission Critical High Flow System, Viair Dual 485C Air System, Firestone Air Command OR ARB Single or Twin Compressors. Compatible with Kleinn Train Horns.

Approx. Install Time: 2+ Hours (not including wiring or plumbing)

For questions or help with the installation, please email help@sdhqoffroad.com
Store front hours: Mon. – Fri. 8:00am – 5:30pm and Sat. 9:00am – 2:00pm Arizona Time.

*****READ ALL INSTRUCTIONS THOROUGHLY FROM START TO FINISH BEFORE BEGINNING INSTALLATION!*****

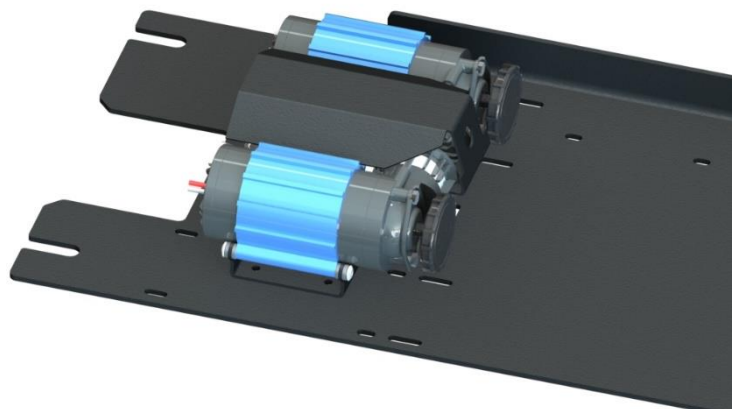
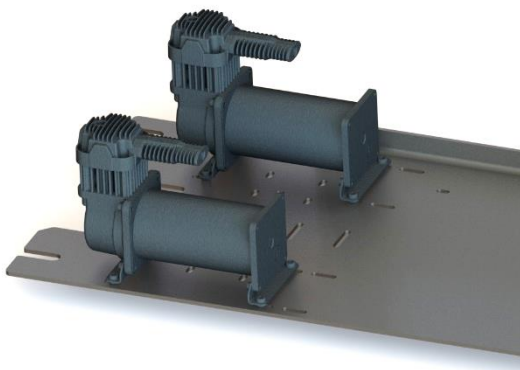


Installation Instructions:

1. Unbox your GM 2500/35500 Air Compressor Mount and lay the parts out on a clean surface. Verify all components are present and familiarize yourself with the diagrams.
2. Begin assembling the air compressors/tanks to the Main Compressor Mount. Start by securing the air tank as shown using the air tank's hardware.

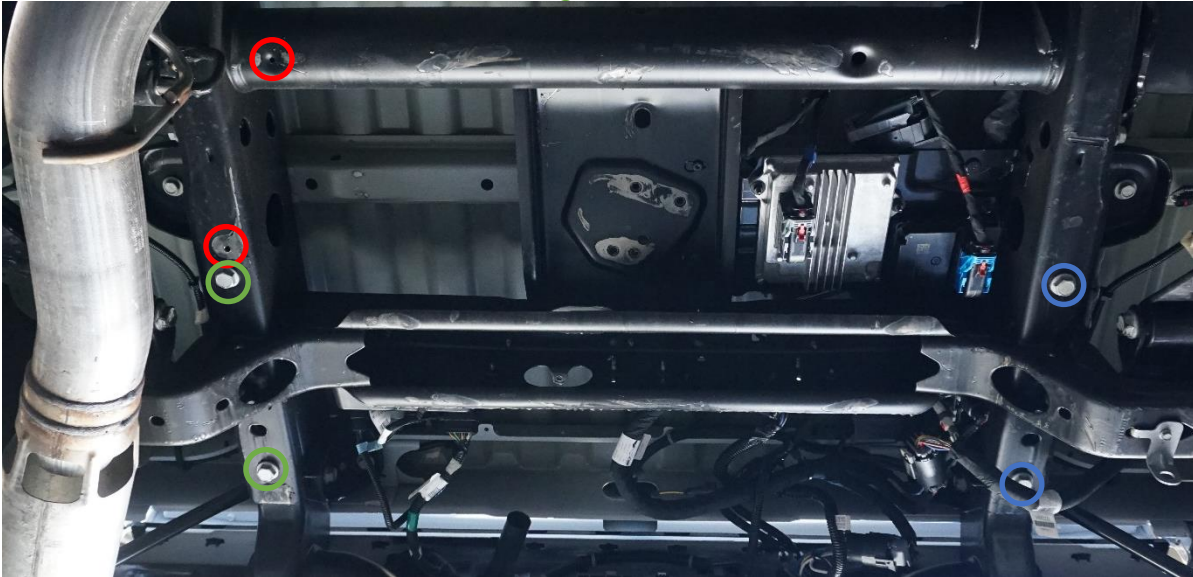


3. Next, install your compressor(s) onto the Main Compressor Mount using the air compressor's hardware. Install any other accessories onto the mount. Set up and run all air lines required to run your air compressor system. Double check all bolts and fittings are tight.

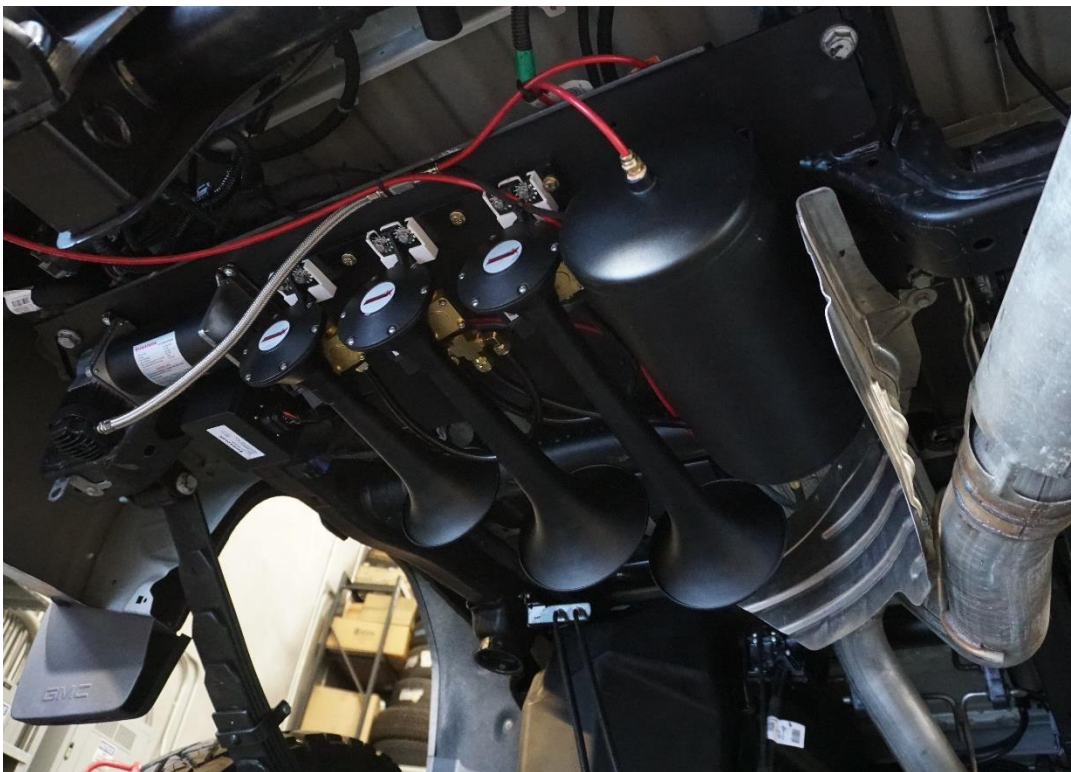


For questions or help with the installation, please email help@sdhqoffroad.com
Store front hours: Mon. – Fri. 8:00am – 5:30pm and Sat. 9:00am – 2:00pm Arizona Time.

4. Drop the spare tire on your GM HD Truck. Remove the bolts securing the spare tire hoist to the frame. Remove the spare tire hoist. Remove the (2) bolts securing the exhaust heat shield to the truck, circled in **red** below. Remove the heat shield and set aside with the bolts, they will be reused later. Remove the bolts circled in **green**, loosen the bolts circled in **blue**.



5. Using a jack or other method of lifting the Air Compressor Mount Assembly, position the assembly onto the frame by sliding the driver side of the mount in between the frame and loosened bolts from Step 4. Thread in the passenger side frame bolts, then tighten the frame bolts to secure the Air Compressor Mount to the frame. Finish wiring and plumbing your Air System. Replace the exhaust heat shield and bolts. Enjoy your new Air System!



Double check all hardware is installed correctly and tight

Re-torque ALL bolts after 100 miles



190 S McQueen Rd
Ste 109 Gilbert, AZ 85233
www.sdhqoffroad.com

Follow us on:



Facebook



Instagram

For questions or help with the installation, please email help@sdhqoffroad.com
Store front hours: Mon. – Fri. 8:00am – 5:30pm and Sat. 9:00am – 2:00pm Arizona Time.