



SDHQ Motorsports
190 S McQueen Rd
Ste 109 Gilbert, AZ 85233
Phone: 480-633-2929

Product Packing List

Product: SDHQ-70-1801-G3

Description: 2007½-2018 Chevy 1500+ Built in Bed Chase Rack

_____ (1) Front Plate	SDHQ-70-1801-G4-A
_____ (1) Floor Plate	SDHQ-70-1801-G4-B
_____ (1) Driver Side Plate	SDHQ-70-1801-G4-C
_____ (1) Passenger Side Plate	SDHQ-70-1801-G4-D
_____ (1) Driver Support Tube	SDHQ-70-1801-G4-E
_____ (1) Passenger Support Tube	SDHQ-70-1801-G4-F
_____ (4) Capture Nut Plates	SDHQ-70-1801-G4-G
_____ (1) SDHQ Tie Down	SDHQ-00-1810-U1
_____ (1) Hardware Package	SDHQ-00-1801-HP
_____ (8) 3/8" - 16 x ¾" Grade 8 Hex Head Bolt	
_____ (8) 3/8" - 16 Grade 8 Lock Nut	
_____ (16) 3/8" Grade 8 Washer	
_____ (18) 5/16" - 18 x ¾" Grade 8 Hex Head Bolt	
_____ (18) 5/16" - 18 Grade 8 Lock Nut	
_____ (36) 5/16" Grade 8 Washer	
_____ (4) 7/16 - 14 x 1" Grade 8 Hex Head Bolts	
_____ (4) 7/16" Grade 8 Washers	
_____ (4) 1 1/2" Plastic Round Tube Plug	

Inspected and Packaged By: _____ **Date:** _____

For questions or help with the installation, please call SDHQ Offroad @ 480-633-2929
Mon.-Fri. 8:00am-5:30pm and Sat. 8:00am-3:30pm Arizona Time. www.sdhqoffroad.com

Included in SDHQ-00-1810-U1:

(2) Tie Downs

(1) Hardware Package

(4) 5/16" - 18 x 3/4" Grade 8 Hex Bolt

(8) 5/16" Grade 8 Washer

(4) 5/16" - 18 Grade 8 Lock Nut

SDHQ-00-1810-U1-A

SDHQ-00-1810-U1-B



SDHQ Motorsports
 190 S McQueen Rd
 Ste 109 Gilbert, AZ 85233
 Phone: 480-633-2929

INSTALLATION INSTRUCTIONS

Product: SDHQ-70-1801-G3

Description: 2007½-2018 Chevy 1500+ Built in Bed Chase Rack

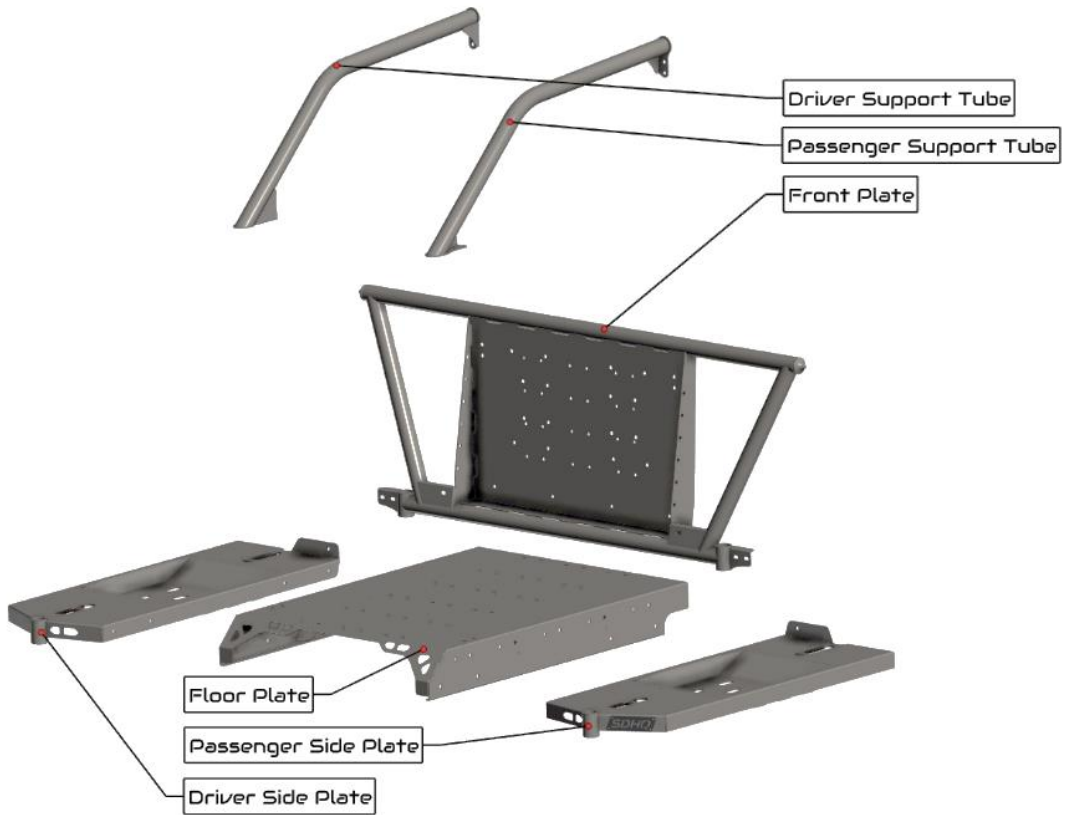


<u>Parts List</u>	<u>Hardware List</u>	<u>Required Tools</u>
(1) Front Plate SDHQ-70-1801-G4-A (1) Floor Plate SDHQ-70-1801-G4-B (1) Driver Side Plate SDHQ-70-1801-G4-C (1) Passenger Side Plate SDHQ-70-1801-G4-D (1) Driver Support Tube SDHQ-70-1801-G4-E (1) Passenger Support Tube SDHQ-70-1801-G4-F (4) Capture Nut Plates SDHQ-70-1801-G4-G (1) SDHQ Tie Down SDHQ-00-1810-U1 (1) Hardware Package SDHQ-00-1801-HP	(8) ¾" - 16 x ¾" Grade 8 Hex Head Bolt (8) ¾" - 16 Grade 8 Lock Nut (16) ¾" Grade 8 Washer (18) 5/16" - 18 x ¾" Grade 8 Hex Head Bolt (18) 5/16" - 18 Grade 8 Lock Nut (36) 5/16" Grade 8 Washer (4) 7/16" - 14 x 1" Grade 8 Hex Head Bolt (4) 7/16" Grade 8 Washer (4) 1 1/2" Plastic Round Tube Plug	½" and 9/16" Sockets Ratchet ½" and 9/16" Wrenches Drill ½" Drill Bit Marker

Tech Notes

Drilling (4) holes into the bed is required.
 Two people are required to install this bed rack into the bed of your truck.
Approx. Install Time: 2 Hours

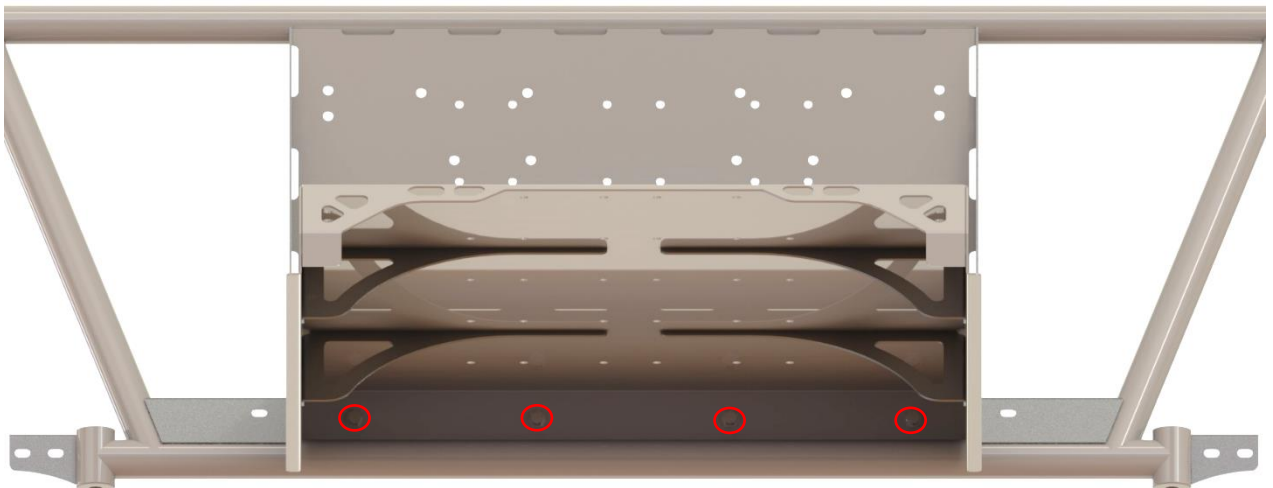
For questions or help with the installation, please call SDHQ Offroad @ 480-633-2929
 Mon.-Fri. 8:00am-5:30pm and Sat. 8:00am-3:30pm Arizona Time. www.sdhqoffroad.com



*****READ ALL INSTRUCTIONS THOROUGHLY FROM START TO FINISH BEFORE BEGINNING INSTALLATION! *****

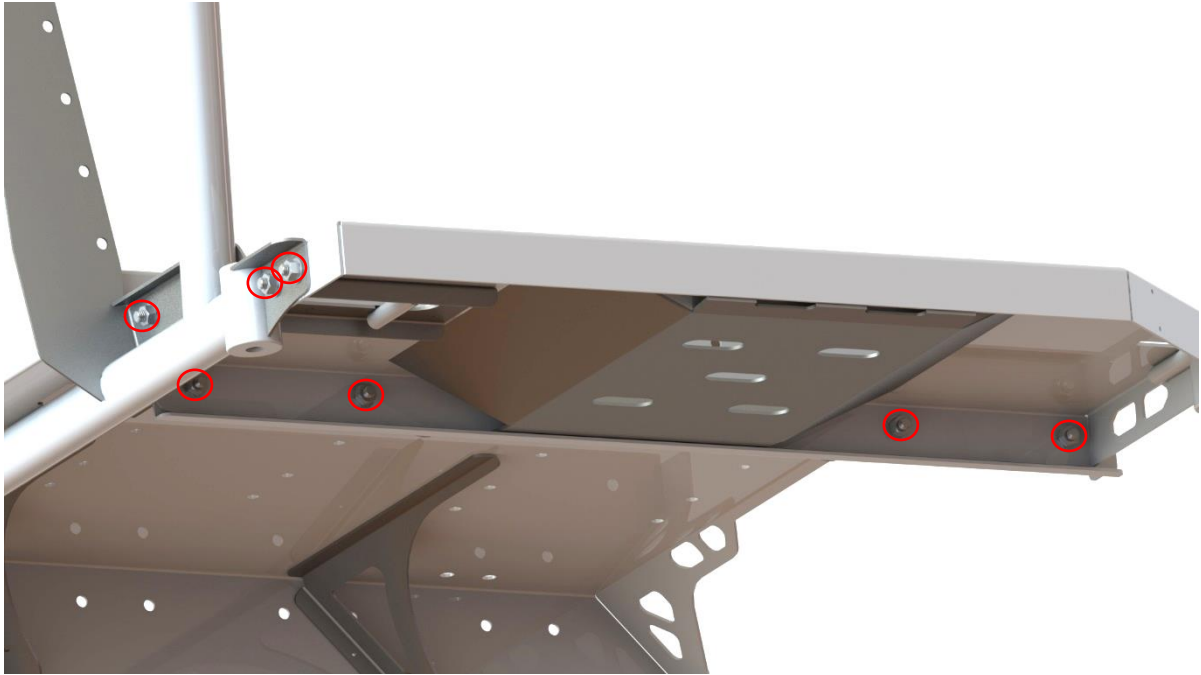
Installation Instructions:

1. Un-box your SDHQ Chevy Silverado Bed Rack and lay the parts out on a clean surface. Verify all components are present and familiarize yourself with them.
2. Lay the Front Plate on a flat surface. Align the Floor Plate on top of the Front Plate. Insert (4) 5/16" – 18 x 3/4" Grade 8 Hex head bolts with 5/16" washers through the Floor Plate and Front Plate holes. Place 5/16" washers and thread (4) 5/16" – 18 Lock Nuts on the front of the Front Plate.

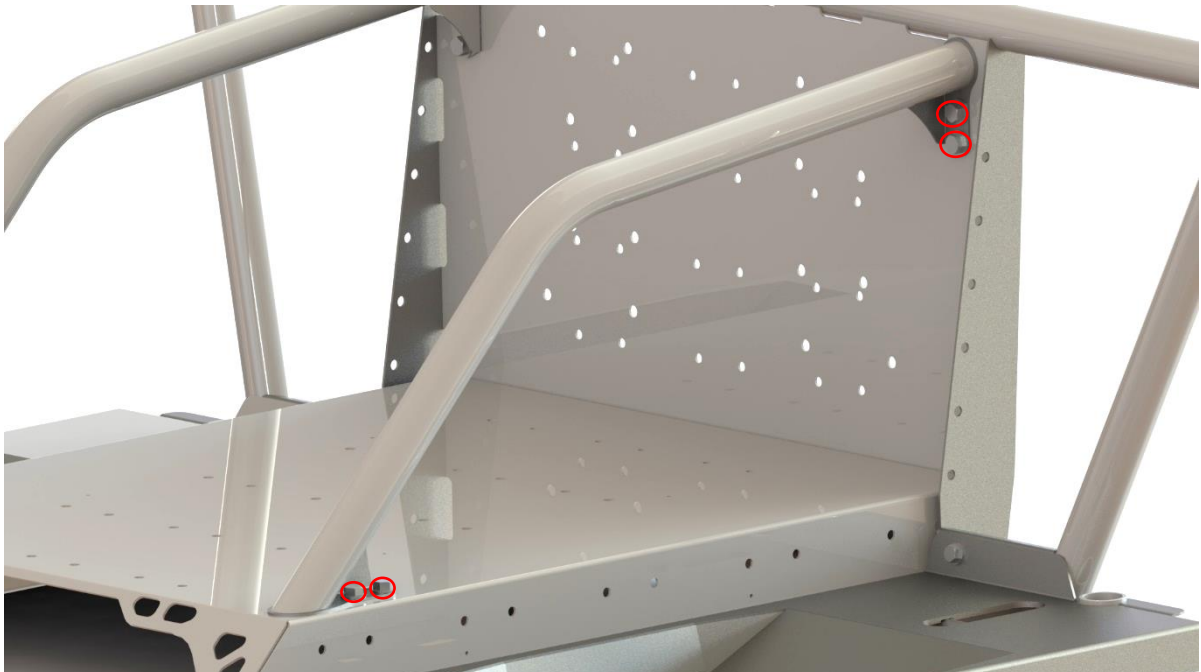


For questions or help with the installation, please call SDHQ Offroad @ 480-633-2929
 Mon.–Fri. 8:00am–5:30pm and Sat. 8:00am–3:30pm Arizona Time. www.sdhqoffroad.com

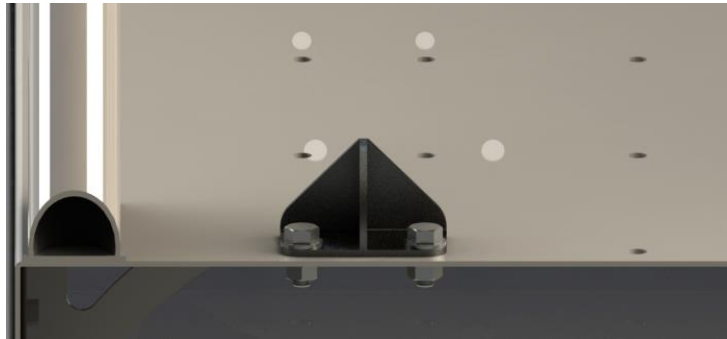
3. Align the Driver Side Plate next to the Front Plate and Floor Plate. There is a total of (7) 5/16" – 18 x 3/4" Grade 8 Hex head bolts that will be used on this side. (3) bolts will connect the Driver Side Plate and the Front Plate. The other (4) bolts will connect the Driver Side Plate and the Floor Plate. Be sure to use the 5/16" washers on both sides of the bolt.



4. Repeat Step 3 for the Passenger Side Plate.
5. Align the Driver Support Tube with the Floor Plate and Front Plate as pictured. Insert (4) 3/8" – 16 x 3/4" Grade 8 Hex head bolts with 3/8" washers through the Driver Support Tube on the Front Plate and Floor Plate. Place 3/8" washers and thread 3/8" – 16 Lock Nuts onto the 3/8" Hex head bolts. Repeat this for the Passenger Support Tube.



6. Use (2) 5/16" – 18 x 3/4" Grade 8 Hex head bolts, (4) 5/16" washers and (2) 5/16 – 18 Lock Nuts for each tie down mount. Bolt the mounts as pictured below. The mounts can be placed where needed on the Bed rack.



7. Tighten all bolts before installing into the bed of your Silverado.
8. Align the Bed Rack so the top tube is straight and about 1/4" – 1/2" away from the front of the truck bed. Mark the mounting holes of the Bed Rack on your bed. Remove the Bed Rack and drill a hole through the mark using a 1/2" drill bit. Deburr the hole if necessary.



9. Align the Bed Rack back into position. Starting on the driver's side towards the front of the bed, align (1) Capture Nut Plate where the drilled hole is. Align the nut such that it faces the ground and the flat part of the spatula sits flush with the bottom of the bed. Thread (1) 7/16" – 14 x 1" Bolt and Washer through the Bed Rack and bed. Do not fully tighten the bolts until all are installed.
10. Repeat Step 9 for the other (3) holes. Torque all mounting hardware to 60 ft lbs.
11. With the Bed Rack mounting complete, the (4) 1 1/2" Plastic Round Tube Caps can be placed over the mounting tubes.
12. Place any accessories such as spare tires and Scribner cans on the Bed Rack. Be sure to strap all accessories appropriately and enjoy your new SDHQ Bed Rack!

For questions or help with the installation, please call SDHQ Offroad @ 480-633-2929
Mon.–Fri. 8:00am–5:30pm and Sat. 8:00am–3:30pm Arizona Time. www.sdhqoffroad.com

*****Double check all hardware is installed correctly and tight*****

*****Re-torque ALL bolts after 100 miles*****



190 S McQueen Rd
Ste 109 Gilbert, AZ 85233
Phone: 480-633-2929 | Fax: 480-633-1791
www.sdhqoffroad.com

Follow us on:



Facebook



Instagram

For questions or help with the installation, please call SDHQ Offroad @ 480-633-2929
Mon.–Fri. 8:00am–5:30pm and Sat. 8:00am–3:30pm Arizona Time. www.sdhqoffroad.com