



**SDHQ Motorsports**  
190 S McQueen Rd  
Ste 109 Gilbert, AZ 85233  
Phone: 480-633-2929

## Product Packing List

**Product:** SDHQ-70-1206-G3/SDHQ-71-1206-G3/SDHQ-73-1206-G3

**Description:** Gen 3 Silverado/Sierra A-Pillar Light Mounts  
2014+ 1500, 2015+ 2500/3500

- |   |                   |
|---|-------------------|
| _____ (1) Driver Side Mount                       | SDHQ-70-1206-G3-A |
| _____ (1) Passenger Side Mount                    | SDHQ-70-1206-G3-B |
| _____ (1) Hardware Package                        | SDHQ-70-1206-G3-C |
| _____ (2) 1/4" - 20 x 3/4" S.S. Button Head Bolts |                   |
| _____ (2) 1/4" - 20 x 3/4" S.S. Hex Head Bolts    |                   |
| _____ (2) 1/4" - 20 S.S. Nylock Nuts              |                   |
| _____ (6) 1/4" S.S. Flat Washers                  |                   |
| _____ (2) 1/4" - 20 x 25/32" U-Clip Nuts          |                   |
| _____ (2) SDHQ Neoprene Isolators                 | SDHQ-70-1206-G3-D |

### OPTIONAL

- |   |                 |
|---|-----------------|
| _____ (1) HD Plastic End Cap Kit (Both Sides)         | SDHQ-71-1206-G3 |
| _____ (1) Standard Plastic End Cap Kit (Left End Cap) | SDHQ-73-1206-G3 |

Inspected and Packaged By: \_\_\_\_\_ Date: \_\_\_\_\_

For questions or help with the installation, please call SDHQ Offroad @ 480-633-2929  
Mon.-Fri. 8:00am-5:30pm and Sat. 8:00am-3:30pm Arizona Time. [www.sdhqoffroad.com](http://www.sdhqoffroad.com)

**For questions or help with the installation, please call SDHQ Offroad @ 480-633-2929  
Mon.–Fri. 8:00am–5:30pm and Sat. 8:00am–3:30pm Arizona Time. [www.sdhqoffroad.com](http://www.sdhqoffroad.com)**



SDHQ Motorsports  
 190 S McQueen Rd  
 Ste 109 Gilbert, AZ 85233  
 Phone: 480-633-2929

## INSTALLATION INSTRUCTIONS

**Product:** *SDHQ-70-1206-G3/SDHQ-71-1206-G3/SDHQ-73-1206-G3*

**Description:** Gen 3 Silverado/Sierra A-Pillar Light Mounts  
 2014+ 1500, 2015+ 2500/3500



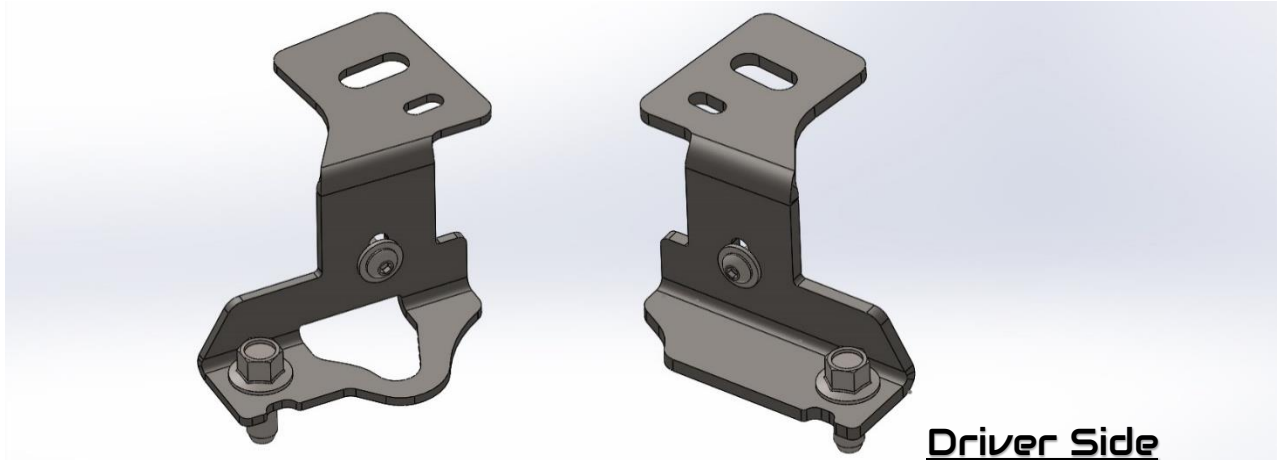
<b>Parts List</b>	<b>Hardware List</b>	<b>Required Tools</b>
(1) <b>Driver Side Mount</b> SDHQ-70-1206-G3-A (1) <b>Passenger Side Mount</b> SDHQ-70-1206-G3-B (1) <b>Hardware Package</b> SDHQ-70-1206-G3-C ----- <b>SDHQ-71-1206-G3 Includes:</b> (1) – SDHQ-71-1226-G3 HD Plastic End Cap Kit <hr/> <b>SDHQ-73-1206-G3 Includes:</b> (1) – SDHQ-73-1226-G3 Standard Plastic End Cap Kit	(2) - 1/4"-20 x .75" S.S. Button Head Bolts (2) - 1/4"-20 x .75" S.S. Hex Head Bolts (2) 1/4" – 20 Nylock Nuts (6) - 1/4" S.S. Flat Washers (2) - 1/4"-20 U Clip Nuts (2) - SDHQ Neoprene Isolators (SDHQ-70-1206-G3-D)	10mm Socket (3/8" Drive) 3/8" Extension 3/8" Ratchet or Impact SAE Allen Wrench Set Masking Tape Hood Prop Marker

### **Tech Notes**

- No drilling required
  - Trimming of cowl end caps is required with SDHQ-70-1206-G3
  - Pre-cut cowl end caps are included with SDHQ-71-1206-G3 and SDHQ-73-1206-G3
    - SDHQ-71-1206-G3 fits Silverado 2500/3500
    - SDHQ-73-1206-G3 fits Silverado 1500 and Sierra 1500/2500/3500
    - Approximate install time: 30 minutes \*(With pre-cut end caps)
- Use a hood prop and mark the outline of hood hinges to assist in realignment during install.**

For questions or help with the installation, please call SDHQ Offroad @ 480-633-2929  
 Mon.–Fri. 8:00am–5:30pm and Sat. 8:00am–3:30pm Arizona Time. [www.sdhqoffroad.com](http://www.sdhqoffroad.com)

**\*\*\*READ ALL INSTRUCTIONS THOROUGHLY FROM START TO FINISH BEFORE BEGINNING INSTALLATION! \*\*\***



### **Installation Instructions:**

1. Locate the 2 isolator pads provided in your hardware kit and install on mounts as pictured below (make sure surface is clean for best adhesion). Remove the clear hard plastic cover.
2. Apply masking tape to hood and fender where you will be working. Remove antenna. Open hood and remove the cowl end caps.
3. With the hood closed, remove the rear hood hinge bolts with a 10mm socket. This bolt is secured with a thread locking compound and will require some force to remove.
4. Locate the hole in the fender between the two slots that the cowl end caps clip into. Insert the nut clips provided in this kit into these holes on both sides of the truck.



### **Passenger Side**





5. Install A-Pillar mounts. Slip the mount into place and start the threads on the rear hood hinge bolt through the mount. Using ¼" Button head bolts and washers provided, thread into nut clips previously installed into fenders. Note that on the passenger side, it is easiest to keep the washer flat against the mount while threading bolt in to avoid clearance issues with the antenna mount. Align mount with fender and tighten bolts, starting with the factory 10mm bolt.
6. If you did not purchase pre trimmed cowl end caps from SDHQ, now would be the time to trim yours. Remove ¼" of material between the mounting points of the end caps. If your lights have a large diameter wire, you may also want to clearance for your wires at this point (smaller wires can tuck under the back of the end cap).
7. Install and wire your lights. The small slot on the mount was designed for Baja Designs XL Pro lights. ¼" S.S. hex head bolts, washers, and nuts are included for this purpose.
8. Install the Cowl End Caps and antenna. That completes the installation of your A-Pillar Light Mounts.



**\*\*\*Double check all hardware is installed correctly and tight\*\*\***

**\*\*\*Re-torque ALL bolts after 100 miles\*\*\***



190 S McQueen Rd  
Ste 109 Gilbert, AZ 85233  
Phone: 480-633-2929 | Fax: 480-633-1791  
[www.sdhqoffroad.com](http://www.sdhqoffroad.com)

Follow us on:



Facebook



Instagram

For questions or help with the installation, please call SDHQ Offroad @ 480-633-2929  
Mon.–Fri. 8:00am–5:30pm and Sat. 8:00am–3:30pm Arizona Time. [www.sdhqoffroad.com](http://www.sdhqoffroad.com)