



SDHQ Motorsports
190 S McQueen Rd
Ste 109 Gilbert, AZ 85233
Phone: 480-633-2929

Product Packing List

Product: SDHQ-70-1206-G2

Description: 2007-2013 Chevy/GMC A-Pillar Light Mounts

_____ (1) Driver Side Mount

SDHQ-70-1206-G2-A

_____ (1) Passenger Side Mount

SDHQ-70-1206-G2-B

Inspected and Packaged By: _____ **Date:** _____

For questions or help with the installation, please call SDHQ Offroad @ 480-633-2929
Mon.-Fri. 8:00am-5:30pm and Sat. 8:00am-3:30pm Arizona Time. www.sdhqoffroad.com

**For questions or help with the installation, please call SDHQ Offroad @ 480-633-2929
Mon.–Fri. 8:00am–5:30pm and Sat. 8:00am–3:30pm Arizona Time. www.sdhqoffroad.com**



SDHQ Motorsports
190 S McQueen Rd
Ste 109 Gilbert, AZ 85233
Phone: 480-633-2929

INSTALLATION INSTRUCTIONS

Product: SDHQ-70-1206-G2

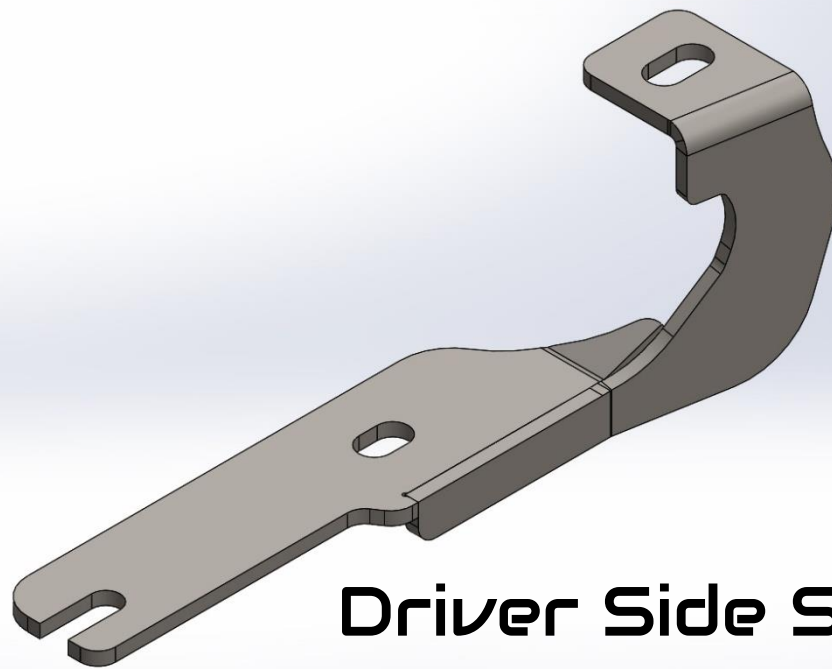
Description: 2007-2013 Chevy/GMC A-Pillar Light Mounts

- 1500/2500/3500 or Tahoe/Suburban/Avalanche



<u>Parts List</u>	<u>Required Tools</u>
(1) - Driver Side Mount SDHQ-70-1206-G2-A (1) - Passenger Side Mount SHDQ-70-1206-G2-B	3/8" Ratchet 13mm Socket Masking Tape Hood Prop/Assistant Marker
<u>Tech Notes</u>	
<ul style="list-style-type: none">• No cutting required.• Designed for factory fit and finish.• Designed to fit factory hood hinge opening. <p>Use a hood prop and mark the outline of hood hinges to assist in realignment during install.</p>	

For questions or help with the installation, please call SDHQ Offroad @ 480-633-2929
Mon.-Fri. 8:00am-5:30pm and Sat. 8:00am-3:30pm Arizona Time. www.sdhqoffroad.com



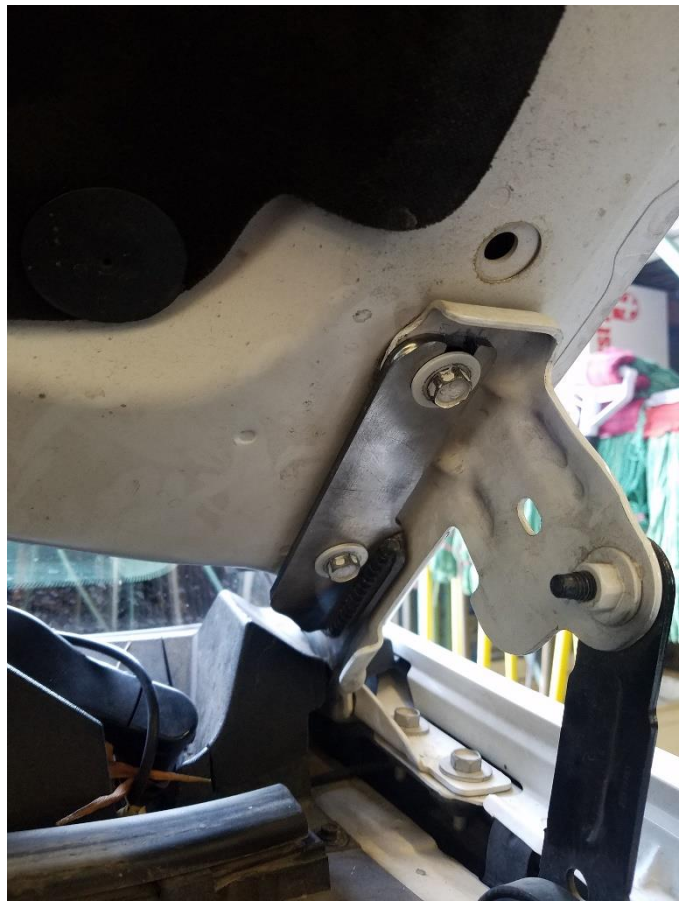
Driver Side Shown

***READ ALL INSTRUCTIONS THOROUGHLY FROM START TO FINISH BEFORE BEGINNING INSTALLATION! ***

Installation Instructions:

1. Open the hood on your vehicle. Using masking tape, tape off the area that you will be working to prevent any scratches during install.
2. Use a hood prop or an assistant to support the hood. Starting on the driver side with your ratchet and 13mm socket, loosen the front bolt attaching the hood to the hinge. This front bolt will need to be loosened until it is almost removed. Next, fully remove the rear bolt. ****Mark the outline of the hood hinge to assist in alignment during installation. ****
3. To insert the mount, slide the bottom of the mount between the hood and plastic windshield cowl. Take your time, this will be a tight fit. Place the front slot of the mount into the front bolt. Align the rear mounting hole to the rear bolt hole of the hood.
4. Tighten down bolts while aligning hinge with paint outline of previous location on hood.

5. Repeat steps 1-3 with the passenger side mount.



For questions or help with the installation, please call SDHQ Offroad @ 480-633-2929
Mon.-Fri. 8:00am-5:30pm and Sat. 8:00am-3:30pm Arizona Time. www.sdhqoffroad.com

*****Double check all hardware is installed correctly and tight*****

*****Re-torque ALL bolts after 100 miles*****



190 S McQueen Rd
Ste 109 Gilbert, AZ 85233
Phone: 480-633-2929 | Fax: 480-633-1791
www.sdhqoffroad.com

Follow us on:



Facebook



Instagram

For questions or help with the installation, please call SDHQ Offroad @ 480-633-2929
Mon.–Fri. 8:00am–5:30pm and Sat. 8:00am–3:30pm Arizona Time. www.sdhqoffroad.com