



SDHQ Motorsports
190 S McQueen Rd
Ste 109 Gilbert, AZ 85233
Phone: 480-633-2929

Product Packing List

Product: SDHQ-55-1220-G3

Description: '16+ Tacoma BTG Dual 10" Light Mount

_____ (1) Driver Side Center Dual Light Mount	SDHQ-55-1220-G3-A
_____ (1) Passenger Side Center Dual Light Mount	SDHQ-55-1220-G3-B
_____ (2) Nut Plate Backer	SDHQ-55-1220-G3-C
_____ (1) Hardware Package	SDHQ-55-1220-G3-D
_____ (2) 1/4" - 20 x 3/4" S.S. Hex Head Bolts	
_____ (2) 1/4" x 1 1/4" S.S. Flat Fender Washers	
_____ (4) 1/4" - 20 x 17/32" Nut Clips	

Inspected and Packaged By: _____ Date: _____

For questions or help with the installation, please call SDHQ Offroad @ 480-633-2929
Mon.-Fri. 8:00am-5:30pm and Sat. 8:00am-3:30pm Arizona Time. www.sdhqoffroad.com



SDHQ Motorsports
190 S McQueen Rd
Ste 109 Gilbert, AZ 85233
Phone: 480-633-2929

INSTALLATION INSTRUCTIONS

Product: SDHQ-55-1220-G3

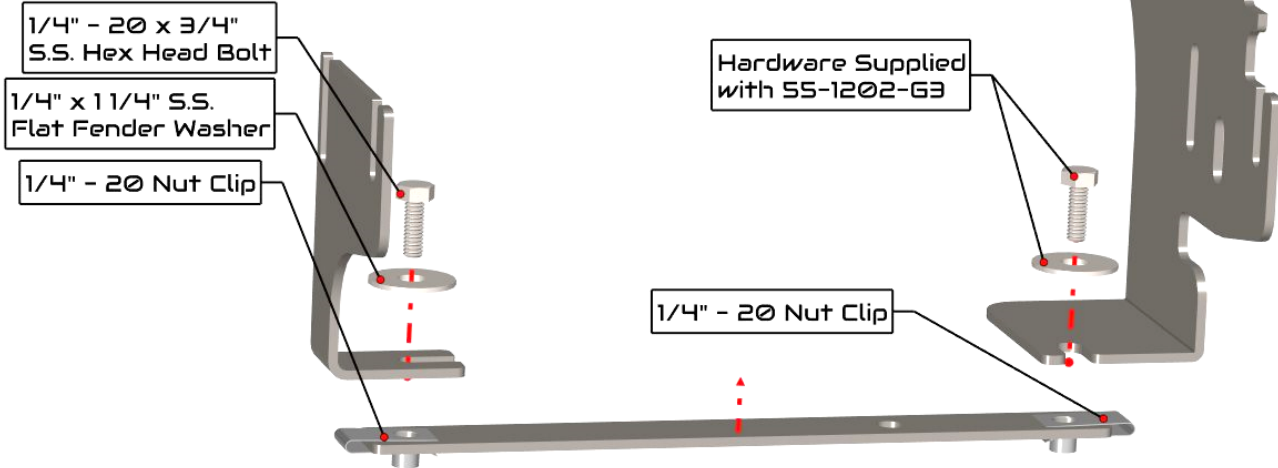
Description: '16+ Tacoma BTG Dual 10" Light Mount



<u>Parts List</u>	<u>Hardware List</u>	<u>Required Tools</u>
(1) Driver Side Center Light Mount SDHQ-55-1220-G3-A (1) Passenger Side Center Light Mount SDHQ-55-1220-G3-B (2) Nut Plate Backer SDHQ-55-1220-G3-C (1) Hardware Package SDHQ-55-1220-G3-D	(2) 1/4" – 20 x 3/4" S.S. Hex Head Bolts (2) 1/4" x 1 1/4" S.S. Flat Fender Washers (4) 1/4" – 20 Nut Clips	7/16" Socket Ratchet 7/16" Wrench Appropriate wrenches or sockets to fit your Light Bar
<u>Tech Notes</u>		
No Drilling required, trimming may be required. Designed for the TRD Pro with Toyota Safety Sense, but will fit all models of Tacoma. Approx. Install Time: 30 Minutes (not including Wiring)		

For questions or help with the installation, please call SDHQ Offroad @ 480-633-2929
Mon.–Fri. 8:00am–5:30pm and Sat. 8:00am–3:30pm Arizona Time. www.sdhqoffroad.com

Driver Side Shown

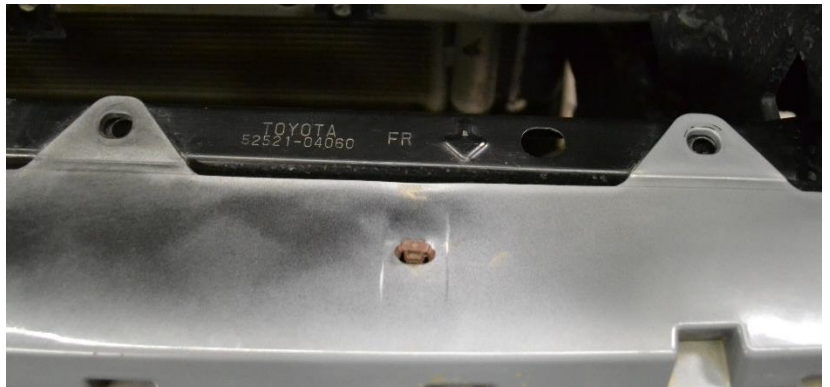


READ ALL INSTRUCTIONS THOROUGHLY FROM START TO FINISH BEFORE BEGINNING INSTALLATION!

Installation Instructions:

1. Unbox all parts and familiarize yourself with them. Verify all parts are present.
2. These Install Instructions are a continuation of the 2016+ Tacoma Behind the Grille Light Mount Install Instructions (SDHQ-55-1202-G3). Please begin there if you haven't done so already.
3. Install (2) 1/4" - 20 Nut Clips on to each Nut Plate Backer as pictured above.

4. **Installing the Brackets:** Before Step 8 in SDHQ-55-1202-G3, the Nut Plate Backer need to be installed. On the driver side, remove the inner clips from the top of the bumper. Slide (1) Nut Plate Backer underneath the sheet metal bumper cover support as pictured right. Align the middle hole with the hole in the sheet metal and secure it with (1) Press-In Body Panel Clip.

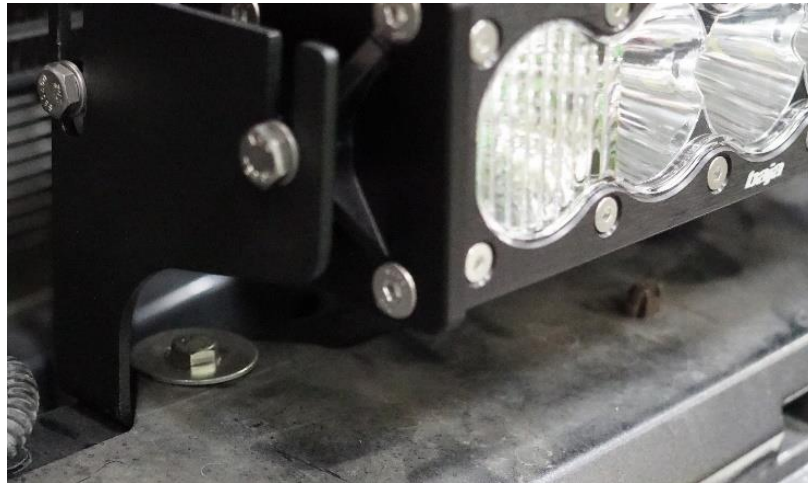


5. Install the 1/4" hardware to the bottom of the Behind the Grille Mount, Step 8 in SDHQ-55-1202-G3. The 1/4" - 20 nut will not be used.

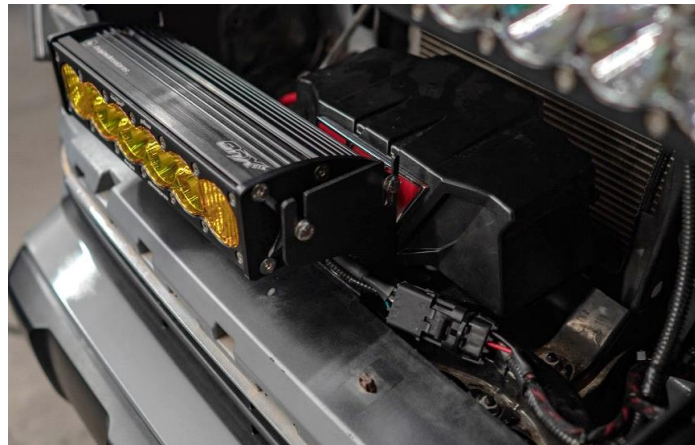


For questions or help with the installation, please call SDHQ Offroad @ 480-633-2929
Mon.-Fri. 8:00am-5:30pm and Sat. 8:00am-3:30pm Arizona Time. www.sdhqoffroad.com

6. Place the Driver Side Center Light Mount underneath the bumper cover, same as the Behind the Grille Mount. Install the ¼" hardware as shown on Page 4. The bolt will connect the bumper cover, the Driver Side Center Light Mount, the sheet metal bumper cover support and the Nut Plate Backer.



7. Repeat Steps 4 – 6 for the passenger side. If you own a SDHQ Hidden Winch Mount (SDHQ-55-1650-G3) with the Zeon Mounting Kit (SDHQ-55-1660-G3), the Control Box Relocation Bracket will still mount the same underneath the Behind the Grille Brackets.



8. **Mount Lights:** Mount your lights in the desired locations and wire to your manufacture's specifications. **Note:** If you have a 2020+ TRD Sport or TRD Offroad Grille, then use the rear slots for mounting as shown



9. **Re-install the Grille:** Re-install your grille in the reverse order that it came off.
10. Some grilles will need to be trimmed. Mark 1" squares into the plastic shroud. Each square is 4" from centerline of the grille in each direction; 8" between centers of each notch. Mock up the bumper and check if the marked squares will clear the brackets. Once confirmed, cut along the marked squares and finish installing the grille.



11. Enjoy your new SDHQ Behind the Grille Light Mounts!

Double check all hardware is installed correctly and tight

Re-torque ALL bolts after 100 miles



190 S McQueen Rd
Ste 109 Gilbert, AZ 85233
Phone: 480-633-2929 | Fax: 480-633-1791
www.sdhqoffroad.com

Follow us on:



Facebook



Instagram

For questions or help with the installation, please call SDHQ Offroad @ 480-633-2929
Mon.–Fri. 8:00am–5:30pm and Sat. 8:00am–3:30pm Arizona Time. www.sdhqoffroad.com