



SDHQ Motorsports
190 S McQueen Rd
Ste 109 Gilbert, AZ 85233
www.SDHQoffroad.com

Product Packing List

Product: *SDHQ-53-1801-XK70*

Description: **2022+ Toyota Tundra SDHQ Built in Bed Chase Rack**

_____ (1) Front Plate	SDHQ-53-1801-XK70-A
_____ (1) Floor Plate	SDHQ-53-1801-XK70-B
_____ (1) Driver Side Plate	SDHQ-53-1801- XK70-C
_____ (1) Passenger Side Plate	SDHQ-53-1801- XK70-D
_____ (1) Driver Support Tube	SDHQ-53-1801- XK70-E
_____ (1) Passenger Support Tube	SDHQ-53-1801- XK70-F
_____ (1) SDHQ Tie Down	SDHQ-00-1810-U1
_____ (1) Hardware Package	SDHQ-00-1801-HP
_____ (8) 3/8" - 16 x 3/4" Grade 8 Hex Head Bolt	
_____ (8) 3/8" - 16 Grade 8 Lock Nut	
_____ (16) 3/8" Grade 8 Washer	
_____ (18) 5/16" - 18 x 3/4" Grade 8 Hex Head Bolt	
_____ (18) 5/16" - 18 Grade 8 Lock Nut	
_____ (36) 5/16" Grade 8 Washer	
_____ (4) 7/16 - 14 x 1" Grade 8 Hex Head Bolts	
_____ (4) 7/16" Grade 8 Washers	
_____ (4) 2" Plastic Round Tube Plug	
_____ (4) M12 x 1.25 100mm Hex Head Bolt	
_____ (4) M12 Washers	

Inspected and Packaged By: _____ **Date:** _____

For questions or help with the installation, please email help@sdhqoffroad.com
Store front hours: Mon. – Fri. 8:00am – 5:30pm and Sat. 9:00am – 2:00pm Arizona Time.

Included in SDHQ-00-1810-U1:

(2) Tie Downs

(1) Hardware Package

(4) 5/16" - 18 x 3/4" Grade 8 Hex Bolt

(8) 5/16" Grade 8 Washer

(4) 5/16" - 18 Grade 8 Lock Nut

SDHQ-00-1810-U1-A

SDHQ-00-1810-U1-B



SDHQ Motorsports
 190 S McQueen Rd
 Ste 109 Gilbert, AZ 85233
www.SDHQoffroad.com

INSTALLATION INSTRUCTIONS

Product: *SDHQ-53-1801-XK70*

Description: 2022+ Toyota Tundra SDHQ Built in Bed Chase Rack

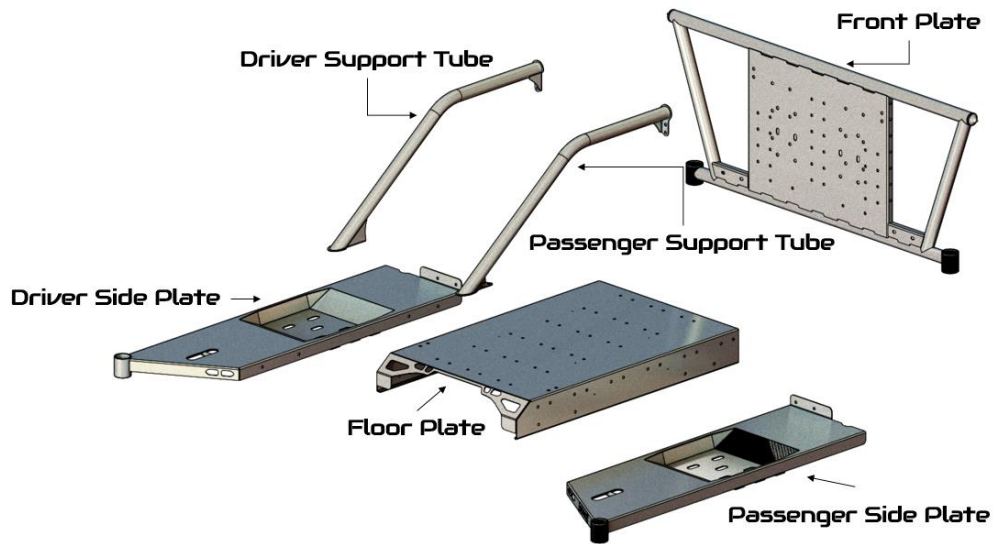


<u>Parts List</u>	<u>Hardware List</u>	<u>Required Tools</u>
(1) Front Plate SDHQ-53-1801-XK70-A (1) Floor Plate SDHQ-53-1801- XK70-B (1) Driver Side Plate SDHQ-53-1801- XK70-C (1) Passenger Side Plate SDHQ-53-1801- XK70-D (1) Driver Support Tube SDHQ-53-1801- XK70-E (1) Passenger Support Tube SDHQ-53-1801- XK70-F (1) SDHQ Tie Downs SDHQ-00-1810-U1 (1) Hardware Package SDHQ-00-1801-HP	(8) 3/8" – 16 x 3/4" Grade 8 Hex Head Bolt (8) 3/8" – 16 Grade 8 Lock Nut (16) 3/8" Grade 8 Washer (18) 5/16" – 18 x 3/4" Grade 8 Hex Head Bolt (18) 5/16" – 18 Grade 8 Lock Nut (36) 5/16" Grade 8 Washer (4) 7/16 – 14 x 1" Grade 8 Hex Head Bolts (4) 7/16" Grade 8 Washers (4) 2" Plastic Round Tube Plug (4) M12 x 1.25 100mm Hex Head Bolt (4) M12 Washers	1/2" and 9/16" Sockets Ratchet 1/2" and 9/16" Wrenches Torx T55 Bit 19mm Socket

Tech Notes

Bed Rack fits CrewMax and Double Cab models. Double cab models will have about 12" of space in front of the rack.
No 7/16" hardware will be used for installation.
 Approx. Install Time: 2-3 Hour

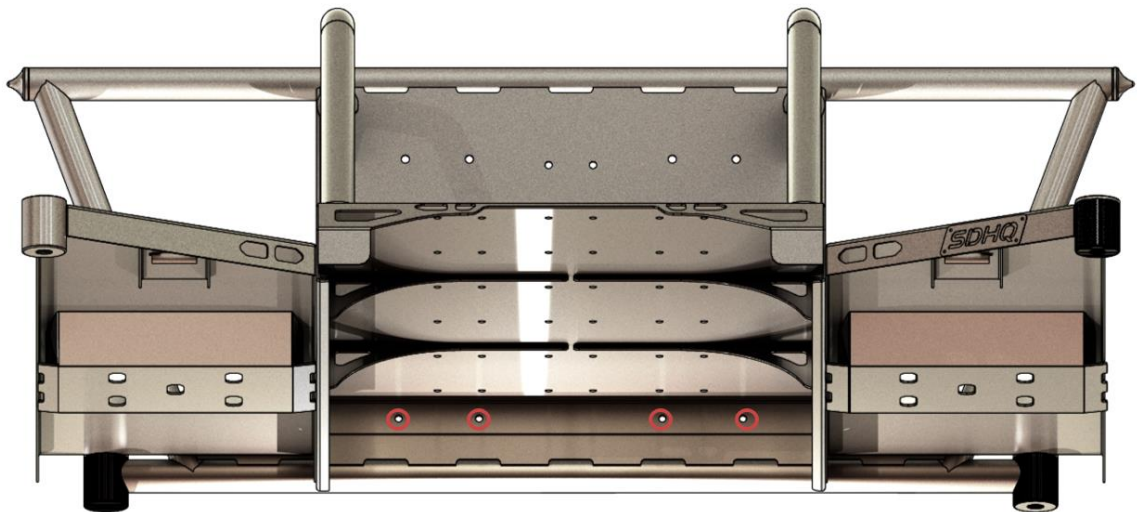
For questions or help with the installation, please email help@sdhqoffroad.com
 Store front hours: Mon. – Fri. 8:00am – 5:30pm and Sat. 9:00am – 2:00pm Arizona Time.



*****READ ALL INSTRUCTIONS THOROUGHLY FROM START TO FINISH BEFORE BEGINNING INSTALLATION! *****

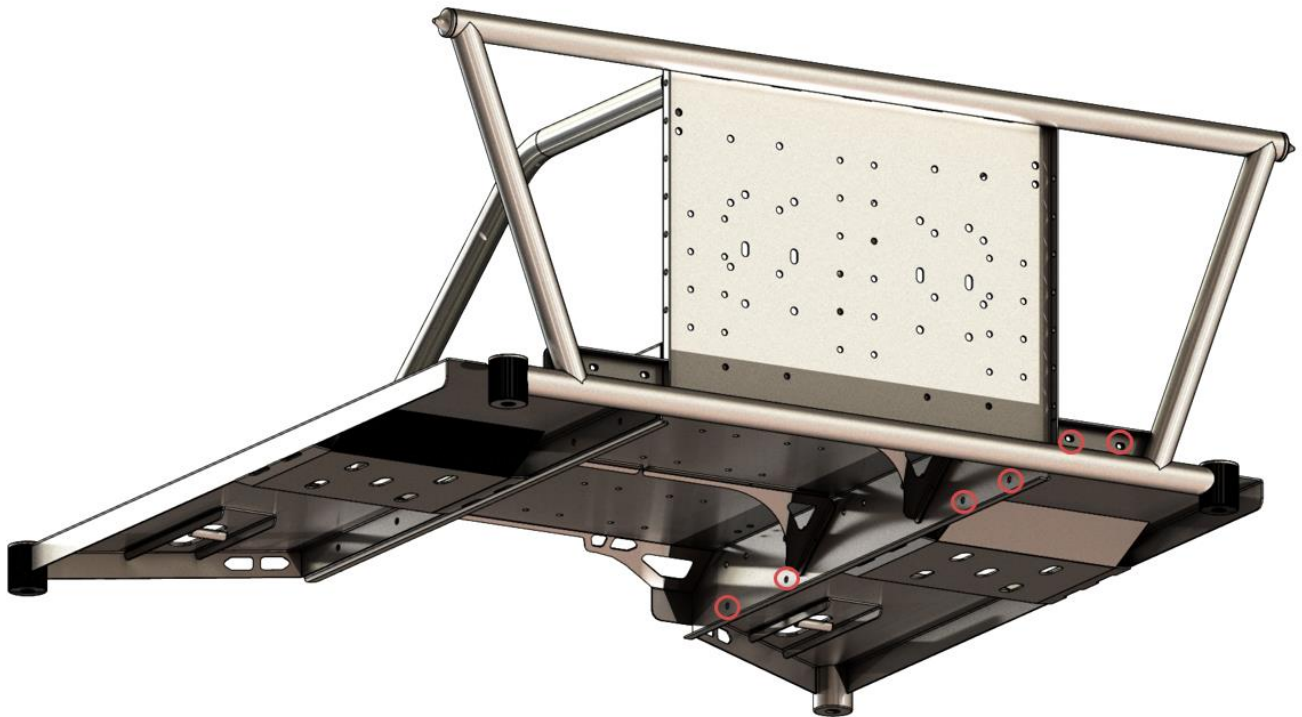
Installation Instructions:

1. Un-box your SDHQ Tundra Bed Rack and lay the parts out on a clean surface. Verify all components are present and familiarize yourself with them.
2. Place the Floor Plate on a level surface. Align the Front Plate in front of the Floor Plate. Insert (4) 5/16" – 18 x 3/4" Grade 8 Hex head bolts with 5/16" washers through the Floor Plate and Front Plate holes. Place 5/16" washers and thread (4) 5/16" – 18 Lock Nuts on the front of the Front Plate.

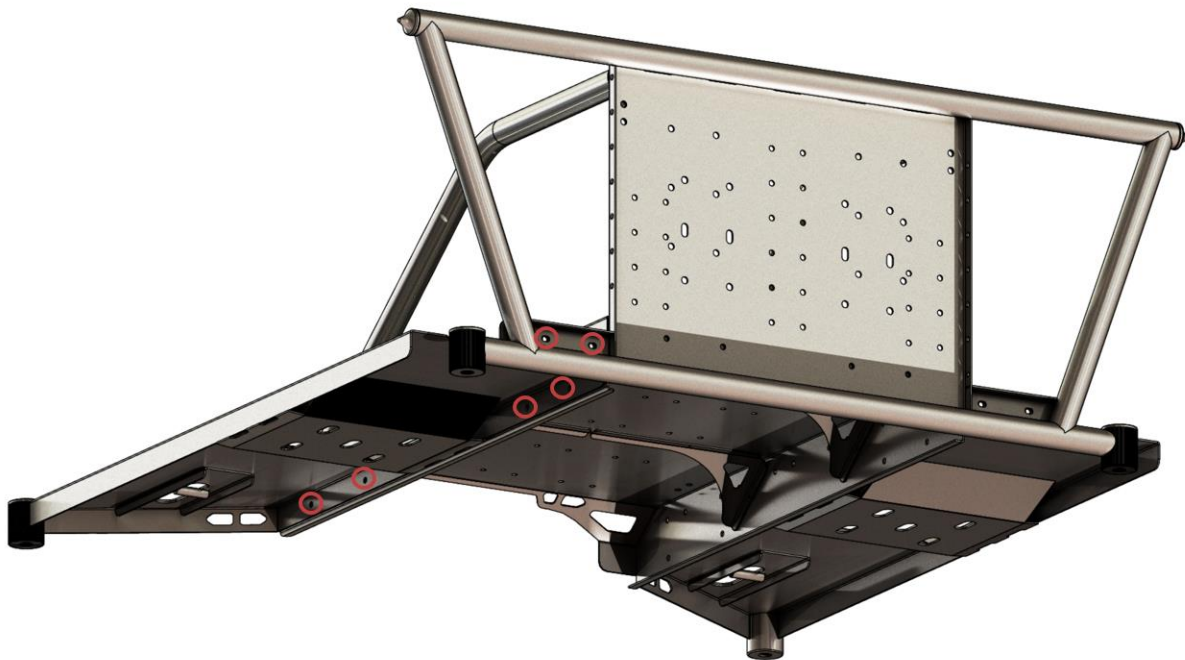


3. Align the Driver Side Plate next to the Front Plate and Floor Plate. There is a total of (6) 5/16" – 18 x 3/4" Grade 8 Hex head bolts that will be used on this side. (2) bolts will connect the Driver Side Plate and the Front Plate. The other (4) bolts will connect the Driver Side Plate and the Floor Plate. Be sure to use the 5/16" washers on both sides of the bolt.

For questions or help with the installation, please email help@sdhqoffroad.com
 Store front hours: Mon. – Fri. 8:00am – 5:30pm and Sat. 9:00am – 2:00pm Arizona Time.



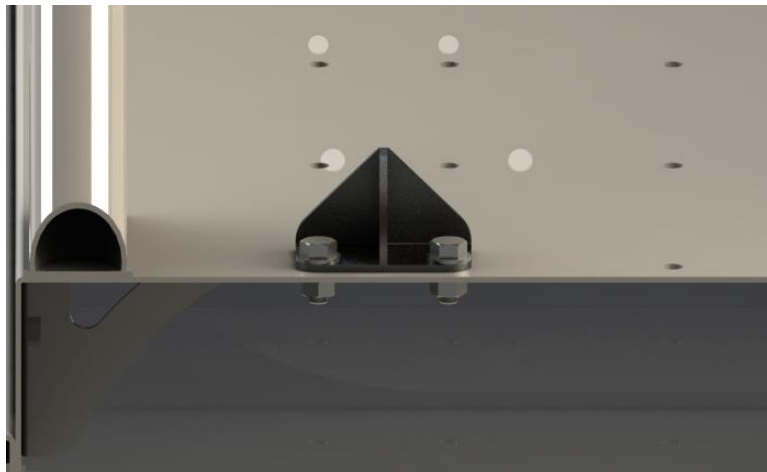
4. Repeat Step 3 for the Passenger Side Plate.



5. Align the Driver Support Tube with the Floor Plate and Front Plate as pictured. Insert (4) 3/8" – 16 x 3/4" Grade 8 Hex head bolts with 3/8" washers through the Driver Support Tube on the Front Plate and Floor Plate. Place 3/8" washers and thread 3/8" – 16 Lock Nuts onto the 3/8" Hex head bolts. Repeat this for the Passenger Support Tube.



6. Use (2) 5/16" – 18 x 3/4" Grade 8 Hex head bolts, (4) 5/16" washers and (2) 5/16 – 18 Lock Nuts for each tie down mount. Bolt the mounts as pictured below. The mounts can be placed where needed on the Bed rack.



7. Double check all bolts are tight before installing into the bed of your Tundra.
8. Now in the bed of your Tundra, locate the (4) bed bolts that will be removed for mounting the rack. CrewMax models will use the front (2) bolts closest to the cab and the following set of (2) wider placed bed bolts. Double Cab models will use the second set of bolts from the cab and the following wider set. Use a Torx T55 bit to remove these bolts. ** Use a dead-blow hammer to set the T55 bit into the bolt head before loosening to prevent stripping of the bed bolts.**
9. Place the Bed Rack mounting holes over the bolt holes in the bed. Replace the bed bolts with the supplied M12 hardware and tighten by hand first using the 19mm socket. Torque to 60 ft/lbs. Install the (4) Plastic Round Tube Plugs into the mounting tubes. The difference in mounting position between CrewMax and Double Cab Models is shown below.

For questions or help with the installation, please email help@sdhgoffroad.com
Store front hours: Mon. – Fri. 8:00am – 5:30pm and Sat. 9:00am – 2:00pm Arizona Time.

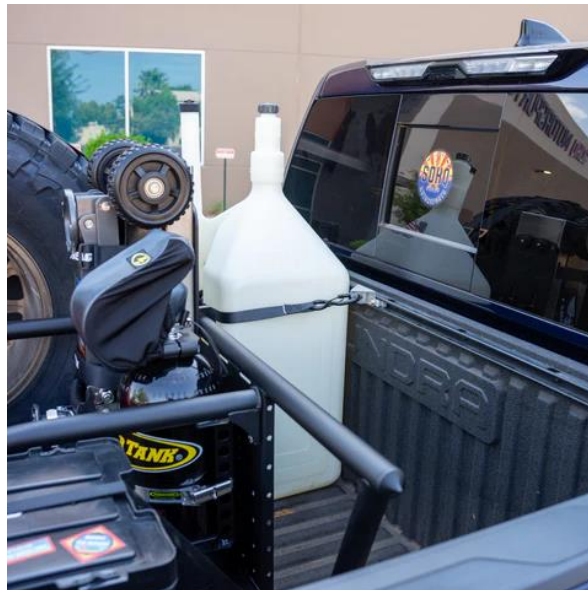
CrewMax Bed Fitment

VS

Double Cab Fitment



Double Cab Front Fitment



10. Place any accessories such as spare tires, Power Tanks, Pro Eagle Jacks and Scribner cans on the Bed Rack. Be sure to strap all accessories appropriately and enjoy your new SDHQ Bed Rack!



For questions or help with the installation, please email help@sdhqoffroad.com
Store front hours: Mon. – Fri. 8:00am – 5:30pm and Sat. 9:00am – 2:00pm Arizona Time.

Double check all hardware is installed correctly and tight

Re-torque ALL bolts after 100 miles



190 S McQueen Rd
Ste 109 Gilbert, AZ 85233
www.sdhqoffroad.com

Follow us on:



Facebook



Instagram

For questions or help with the installation, please email help@sdhqoffroad.com
Store front hours: Mon. – Fri. 8:00am – 5:30pm and Sat. 9:00am – 2:00pm Arizona Time.