



SDHQ Motorsports
190 S McQueen Rd
Ste 109 Gilbert, AZ 85233
Phone: 480-633-2929

Product Packing List

Product: SDHQ-53-1801-G3

Description: **2007-2021 Tundra Built in Bed Chase Rack**

_____ (1) Front Plate	SDHQ-53-1801-G3-A
_____ (1) Floor Plate	SDHQ-53-1801-G3-B
_____ (1) Driver Side Plate	SDHQ-53-1801-G3-C
_____ (1) Passenger Side Plate	SDHQ-53-1801-G3-D
_____ (1) Driver Support Tube	SDHQ-53-1801-G3-E
_____ (1) Passenger Support Tube	SDHQ-53-1801-G3-F
_____ (1) SDHQ Tie Down	SDHQ-00-1810-U1
_____ (1) Hardware Package	SDHQ-00-1801-HP
_____ (8) 3/8" - 16 x 3/4" Grade 8 Hex Head Bolt	
_____ (8) 3/8" - 16 Grade 8 Lock Nut	
_____ (16) 3/8" Grade 8 Washer	
_____ (18) 5/16" - 18 x 3/4" Grade 8 Hex Head Bolt	
_____ (18) 5/16" - 18 Grade 8 Lock Nut	
_____ (36) 5/16" Grade 8 Washer	
_____ (4) 7/16 - 14 x 1" Grade 8 Hex Head Bolts	
_____ (4) 7/16" Grade 8 Washers	
_____ (4) 2" Plastic Round Tube Plug	

Inspected and Packaged By: _____ **Date:** _____

For questions or help with the installation, please call SDHQ Offroad @ 480-633-2929
Mon.-Fri. 8:00am-5:30pm and Sat. 8:00am-3:30pm Arizona Time. www.sdhqoffroad.com

Included in SDHQ-00-1810-U1:

(2) Tie Downs

(1) Hardware Package

(4) 5/16" - 18 x 3/4" Grade 8 Hex Bolt

(8) 5/16" Grade 8 Washer

(4) 5/16" - 18 Grade 8 Lock Nut

SDHQ-00-1810-U1-A

SDHQ-00-1810-U1-B



SDHQ Motorsports
 190 S McQueen Rd
 Ste 109 Gilbert, AZ 85233
 Phone: 480-633-2929

INSTALLATION INSTRUCTIONS

Product: SDHQ-53-1801-G3

Description: 2007-2021 Tundra Built in Bed Chase Rack

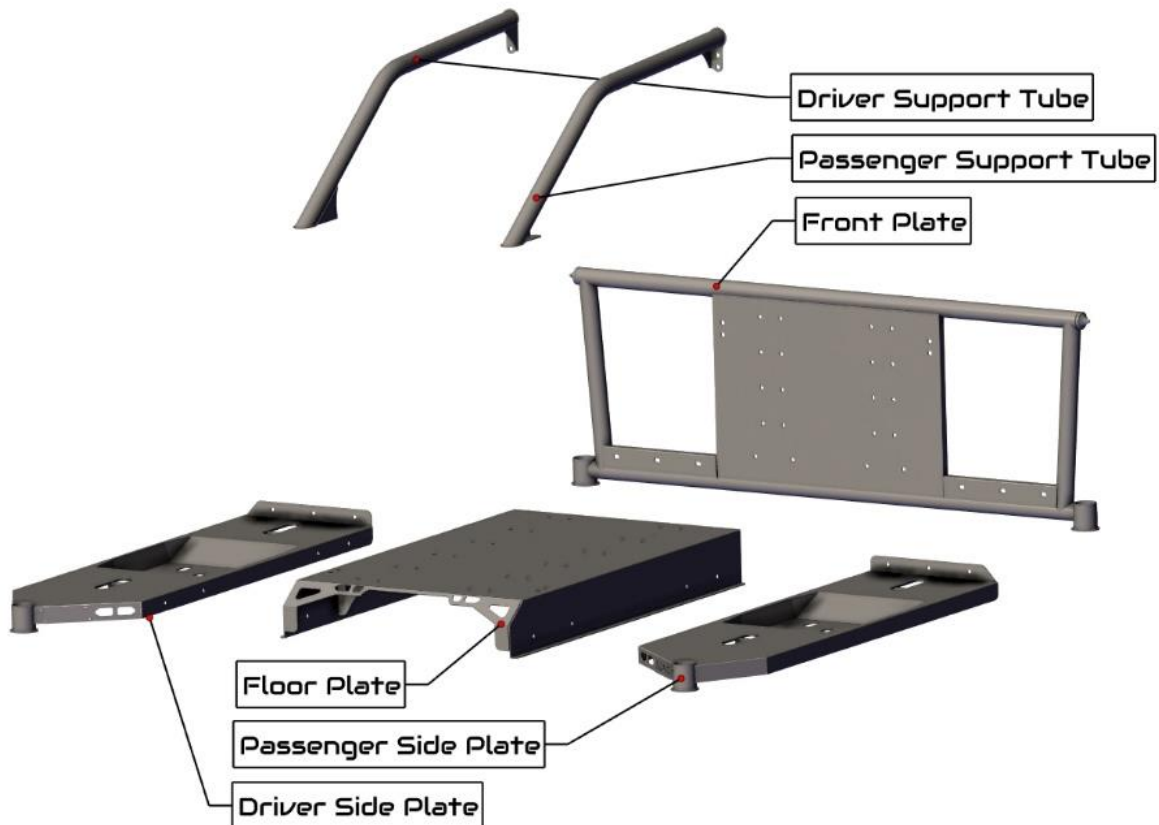


<u>Parts List</u>	<u>Hardware List</u>	<u>Required Tools</u>
(1) Front Plate SDHQ-53-1801-G3-A (1) Floor Plate SDHQ-53-1801-G3-B (1) Driver Side Plate SDHQ-53-1801-G3-C (1) Passenger Side Plate SDHQ-53-1801-G3-D (1) Driver Support Tube SDHQ-53-1801-G3-E (1) Passenger Support Tube SDHQ-53-1801-G3-F (1) SDHQ Tie Downs SDHQ-00-1810-U1 (1) Hardware Package SDHQ-00-1801-HP	(8) 3/8" - 16 x 3/4" Grade 8 Hex Head Bolt (8) 3/8" - 16 Grade 8 Lock Nut (16) 3/8" Grade 8 Washer (18) 5/16" - 18 x 3/4" Grade 8 Hex Head Bolt (18) 5/16" - 18 Grade 8 Lock Nut (36) 5/16" Grade 8 Washer (4) 7/16" - 14 x 1" Grade 8 Hex Head Bolt (4) 7/16" Grade 8 Washer (4) 2" Plastic Round Tube Plug	1/2" and 9/16" Sockets Ratchet 1/2" and 9/16" Wrenches Torx T55 Bit

Tech Notes

All hardware included may not be used.
 No 7/16" hardware will be used for installation.
 Approx. Install Time: 2-3 Hour

For questions or help with the installation, please call SDHQ Offroad @ 480-633-2929
 Mon.-Fri. 8:00am-5:30pm and Sat. 8:00am-3:30pm Arizona Time. www.sdhqoffroad.com



*****READ ALL INSTRUCTIONS THOROUGHLY FROM START TO FINISH BEFORE BEGINNING INSTALLATION! *****

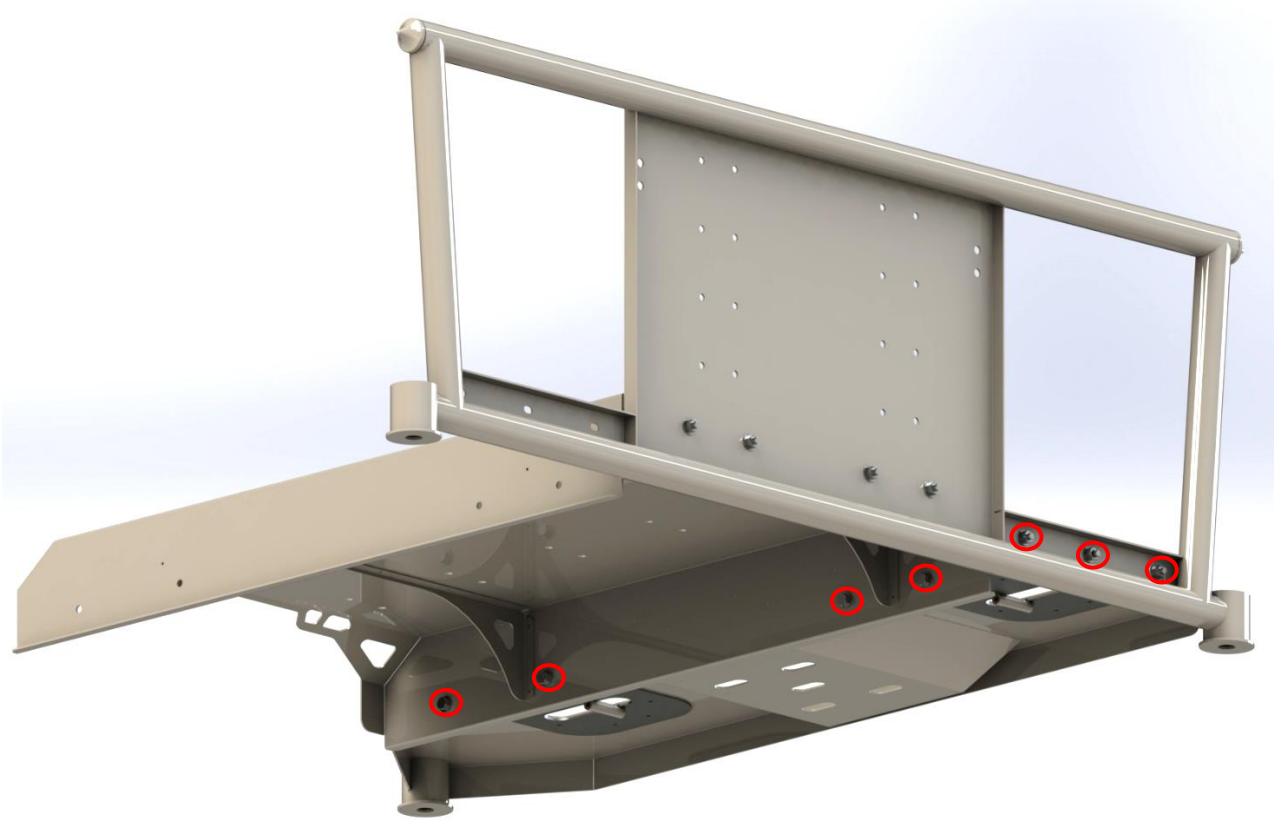
Installation Instructions:

1. Un-box your SDHQ Tundra Bed Rack and lay the parts out on a clean surface. Verify all components are present and familiarize yourself with them.
2. Place the Floor Plate on a level surface. Align the Front Plate in front of the Floor Plate. Insert (4) 5/16" – 18 x 3/4" Grade 8 Hex head bolts with 5/16" washers through the Floor Plate and Front Plate holes. Place 5/16" washers and thread (4) 5/16" – 18 Lock Nuts on the front of the Front Plate.

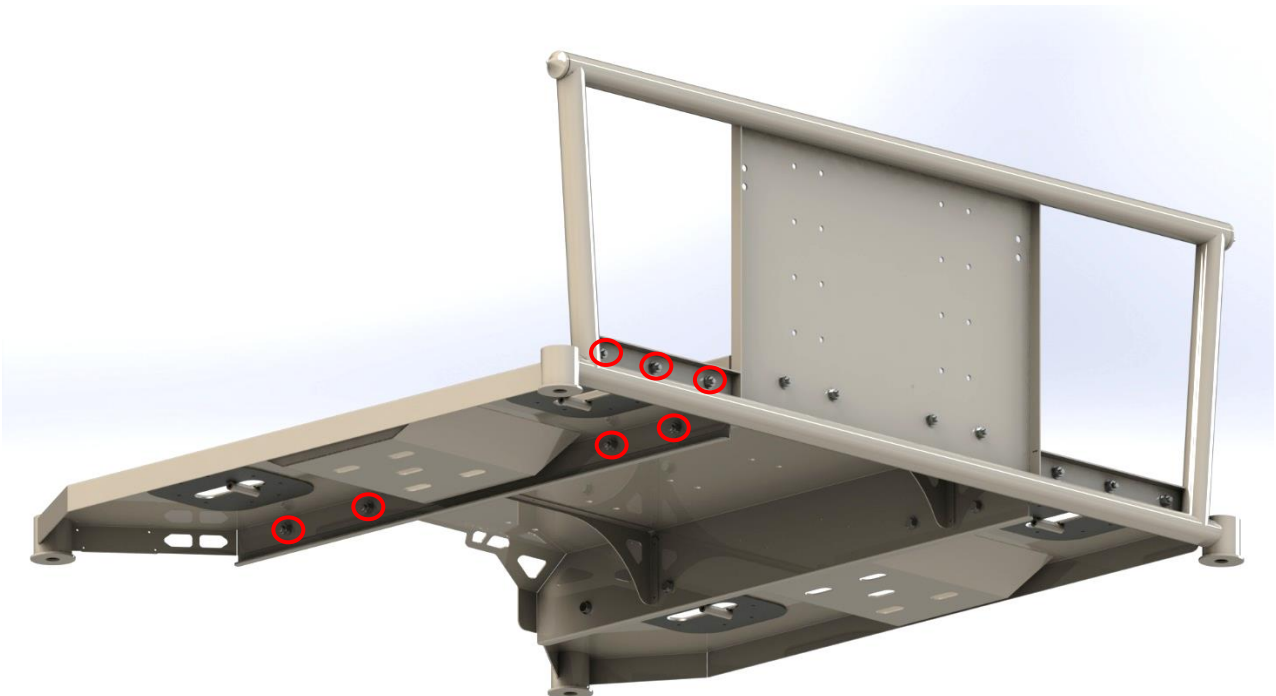


For questions or help with the installation, please call SDHQ Offroad @ 480-633-2929
 Mon.–Fri. 8:00am–5:30pm and Sat. 8:00am–3:30pm Arizona Time. www.sdhqoffroad.com

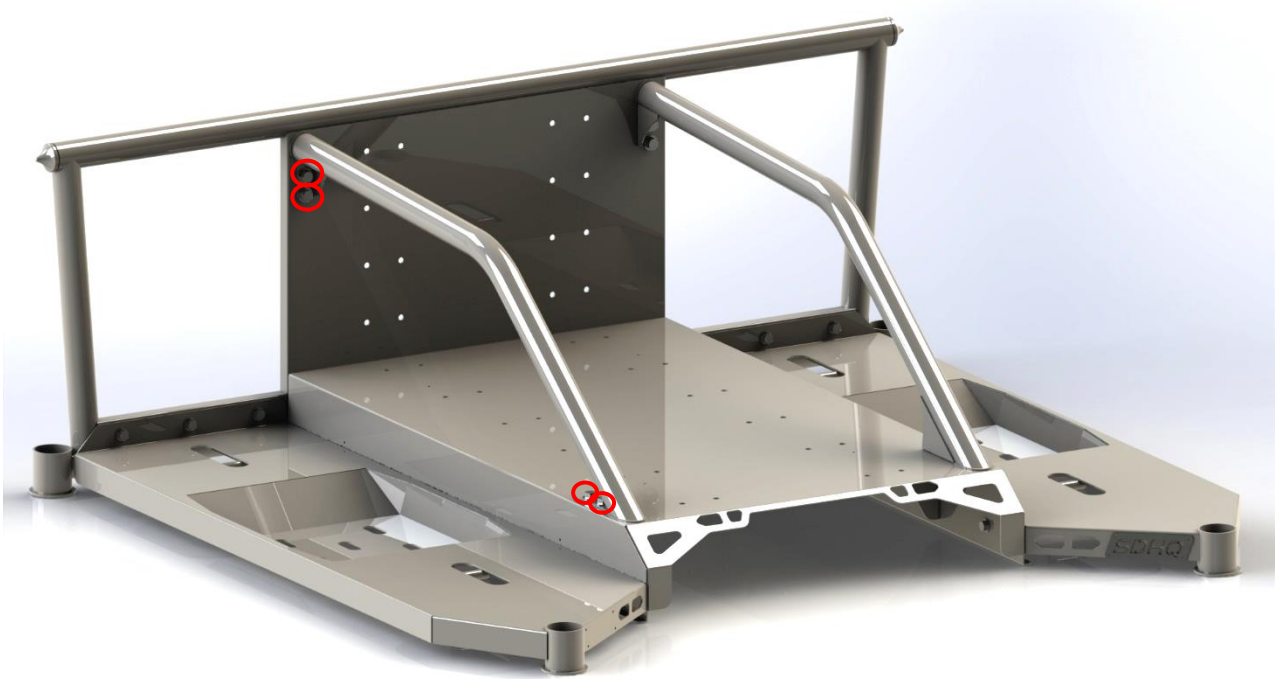
3. Align the Driver Side Plate next to the Front Plate and Floor Plate. There is a total of (7) 5/16" – 18 x 3/4" Grade 8 Hex head bolts that will be used on this side. (3) bolts will connect the Driver Side Plate and the Front Plate. The other (4) bolts will connect the Driver Side Plate and the Floor Plate. Be sure to use the 5/16" washers on both sides of the bolt.



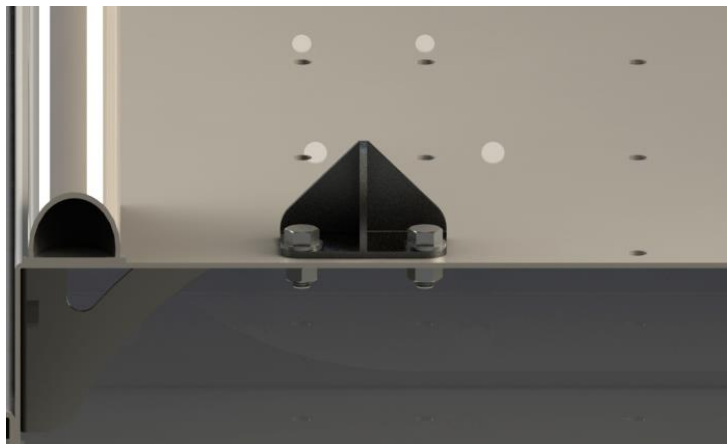
4. Repeat Step 3 for the Passenger Side Plate.



5. Align the Driver Support Tube with the Floor Plate and Front Plate as pictured. Insert (4) 3/8" – 16 x 3/4" Grade 8 Hex head bolts with 3/8" washers through the Driver Support Tube on the Front Plate and Floor Plate. Place 3/8" washers and thread 3/8" – 16 Lock Nuts onto the 3/8" Hex head bolts. Repeat this for the Passenger Support Tube.



6. Use (2) 5/16" – 18 x 3/4" Grade 8 Hex head bolts, (4) 5/16" washers and (2) 5/16 – 18 Lock Nuts for each tie down mount. Bolt the mounts as pictured below. The mounts can be placed where needed on the Bed rack.



7. Tighten all bolts before installing into the bed of your Tundra.
8. In the bed of your Tundra, locate the front and middle (4) bolts. Use a Torx T55 bit to remove these bolts. Place the Bed Rack mounting holes over the bolt holes in the bed. Tighten the bed bolts by hand first using the T55 bit. Torque to 60 ft lbs. Install the (4) Plastic Round Tube Plugs into the mounting tubes.
9. Place any accessories such as spare tires and Scribner cans on the Bed Rack. Be sure to strap all accessories appropriately and enjoy your new SDHQ Bed Rack!

*****Double check all hardware is installed correctly and tight*****

*****Re-torque ALL bolts after 100 miles*****



190 S McQueen Rd
Ste 109 Gilbert, AZ 85233
Phone: 480-633-2929 | Fax: 480-633-1791
www.sdhqoffroad.com

Follow us on:



Facebook



Instagram

For questions or help with the installation, please call SDHQ Offroad @ 480-633-2929
Mon.–Fri. 8:00am–5:30pm and Sat. 8:00am–3:30pm Arizona Time. www.sdhqoffroad.com