



SDHQ Motorsports
190 S McQueen Rd
Ste 109 Gilbert, AZ 85233
Phone: 480-633-2929

Product Packing List

Product: SDHQ-53-1160-G3

Description: 2007-2021 Tundra & 2008-2022 Toyota Sequoia
Windshield Wiper Bottle Relocation

- _____ (1) 2 Quart Windshield Wiper Bottle
- _____ (1) SDHQ Windshield Wiper Bottle Mount SDHQ-53-1160-G3-A
- _____ (1) Hardware Package
 - _____ (1) 40" Windshield Wiper Bottle Harness
 - _____ (4) 1/4" - 20 x 3/4" S.S. Countersunk Bolts
 - _____ (5) 1/4" S.S. SAE Washers
 - _____ (4) 1/4" - 20 S.S. Nylock Nuts
 - _____ (1) M6 - 1.0 x 20mm S.S. Hex Head Bolts
 - _____ (1) M6 - 1.0 S.S Serrated Flange Nut
 - _____ (1) 3" of 1" Diameter Heat Shrink
 - _____ (3) 8" Zip Ties

Inspected and Packaged by: _____ Date: _____

For questions or help with the installation, please call SDHQ Offroad @ 480-633-2929
Mon.-Fri. 8:00am-5:30pm and Sat. 8:00am-3:30pm Arizona Time. www.sdhqoffroad.com



SDHQ Motorsports
 190 S McQueen Rd
 Ste 109 Gilbert, AZ 85233
 Phone: 480-633-2929

INSTALLATION INSTRUCTIONS

Product: SDHQ-53-1160-G3

Description: 2007-2021 Tundra & 2008-2022 Toyota Sequoia
 Windshield Wiper Bottle Relocation

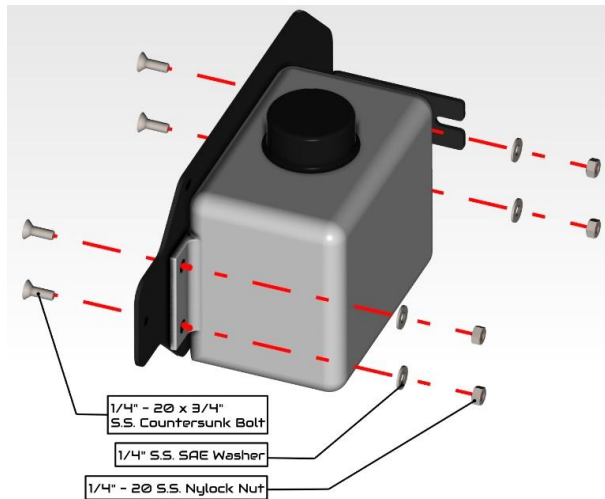


Parts List	Hardware List	Required Tools
(1) 2 Quart Windshield Wiper Bottle (1) SDHQ Windshield Wiper Bottle Mount SDHQ-53-1160-G3-A (1) Hardware Package SDHQ-53-1160-G3-B	(1) 40" Windshield Wiper Bottle Harness (4) 1/4" – 20 x 3/4" S.S. Countersunk Bolts (5) 1/4" S.S. SAE Washers (4) 1/4" – 20 S.S. Nylock Nuts (1) M6 – 1.0 x 20mm S.S. Hex Head Bolt (1) M6 – 1.0 S.S. Serrated Flange Nut (1) 3" of 1" Heat Shrink (3) 8" Zip Ties	10mm Socket Ratchet 6" Extension

Tech Notes

The windshield washer light will not appear as the new bottle does not have a fluid level sensor. Sequoias will only use the front windshield washer pump. The rear window washer pump and models with headlight sprayer pump will be left disconnected.
Approx. Install Time: 1 Hour

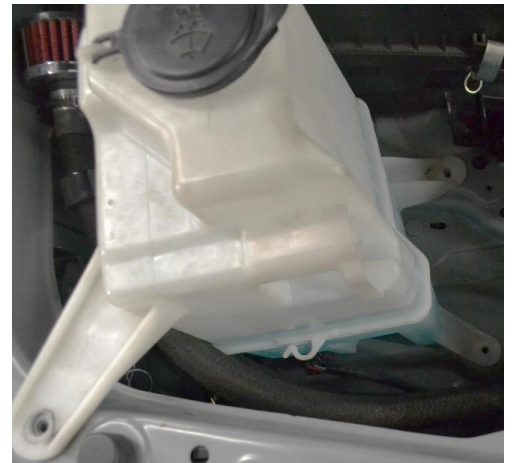
For questions or help with the installation, please call SDHQ Offroad @ 480-633-2929
 Mon.–Fri. 8:00am–5:30pm and Sat. 8:00am–3:30pm Arizona Time. www.sdhqoffroad.com



READ ALL INSTRUCTIONS THOROUGHLY FROM START TO FINISH BEFORE BEGINNING INSTALLATION!

Installation Instructions:

1. Unbox your SDHQ Windshield Wiper Relocation, check over all the parts. Familiarize yourself with the parts and the diagram above.
2. **Removing your Windshield Fluid Reservoir.** Remove the (3) 10mm bolts securing the windshield fluid reservoir to the top of the fender well. Disconnect the electrical connectors from the windshield fluid reservoir. Disconnect the rubber fluid line from the reservoir, fluid will spill out. Pay attention to which connector goes to the pump as a harness will connect to it in Step 6. Remove the windshield fluid reservoir from the truck.
3. **Removing your intake.** Use an 8mm socket to remove the hose clamp by the throttle body. Remove (2) 10mm bolts connecting the intake to the fender. Disconnect the MAF sensor and vacuum lines. Remove the intake and set aside.
4. **Installing the SDHQ Windshield Fluid Reservoir and mount.** In the rear passenger corner of the engine bay, remove the security alarm if applicable using a 10mm socket. Disconnect the electrical connection and remove the alarm from the truck. Remove the 10mm nut on the back side of the alarm and separate the alarm from the factory mount.
5. Locate the SDHQ Windshield Wiper Bottle Mount and install the security alarm as pictured below using the 10mm nut. Install the 2QT windshield fluid reservoir to the SDHQ Windshield Fluid Reservoir Mount using (4) 1/4" – 20 x 3/4" S.S. Countersunk Bolts, (4) 1/4" S.S. Washers and (4) 1/4" – 20 Nylock Nuts. View the diagram at the top of the page.



For questions or help with the installation, please call SDHQ Offroad @ 480-633-2929
 Mon.–Fri. 8:00am–5:30pm and Sat. 8:00am–3:30pm Arizona Time. www.sdhqoffroad.com

- 6. Wiring the Windshield Fluid Reservoir.** Connect the grey connector on the supplied wiring harness to the factory windshield fluid pump connector as shown below. Run the wiring harness down the passenger fender to the firewall as shown below. Secure it to the factory harness using zip ties. The wiring harness will run behind/below the reservoir when installed.



- 7.** Install the SDHQ Windshield Fluid Reservoir and Mount into the rear passenger corner of the engine bay as pictured. Use the provided M6 – 1.0 x 20mm S.S. Hex Head Bolt and 1/4" S.S. SAE Washer to secure the mount to the inner fender. Use the threaded stud on the firewall with the M6 – 1.0 S.S. Serrated Flange Nut to secure the mount to the firewall.



- 8.** Plug in the SDHQ provided wiring to the windshield fluid reservoir pump as pictured right. Run the rubber fluid line to the new reservoir. Cut off 9" of rubber line and push the fluid line over the barb on the new bottle. Use the supplied 1" adhesive heat shrink to cover the windshield fluid level connector by heating it and pinching the end sealed until it cools. Zip tie the connector to the wiring harness as pictured right.



- 9.** Fill your new SDHQ Windshield Wiper Bottle and test to make sure it functions properly. With the Windshield Wiper Bottle functioning properly, install your intake in the reverse order of Step 5. You have completed the SDHQ Windshield Wiper Bottle Relocation! Enjoy your new found space.



*****Double check all hardware is installed correctly and tight*****

*****Re-torque ALL bolts after 100 miles*****



190 S McQueen Rd
Ste 109 Gilbert, AZ 85233
Phone: 480-633-2929 | Fax: 480-633-1791
www.sdhqoffroad.com

Follow us on:



Facebook



Instagram

For questions or help with the installation, please call SDHQ Offroad @ 480-633-2929
Mon.–Fri. 8:00am–5:30pm and Sat. 8:00am–3:30pm Arizona Time. www.sdhqoffroad.com