



**SDHQ Motorsports**  
190 S McQueen Rd  
Ste 109 Gilbert, AZ 85233  
[www.SDHQoffroad.com](http://www.SDHQoffroad.com)

## Product Packing List

**Product:** SDHQ-53-1130-XK70-9100/RCR12

**Description:** 2022-current Toyota Tundra Switch Pros SP-9100/ RCR-12 3D Printed Dash Keypad Mount

\_\_\_\_\_ (1) SDHQ 3D Printed SP9100/RCR12 Dash Mount

SDHQ-53-1130-XK70-9100

**OR**

SDHQ-53-1130-XK70-RCR12

\_\_\_\_\_ (1) SDHQ 3D Printed Backer 1

SDHQ-53-1130-XK70-A

\_\_\_\_\_ (1) SDHQ 3D Printed Backer 2

SDHQ-53-1130-XK70-B

\_\_\_\_\_ (1) Hardware Package

SDHQ-53-1130-XK70-HP

\_\_\_\_\_ (4) #6-32 x 1" SS Threaded Rod

\_\_\_\_\_ (1) 1/4"-20 S.S. Nylock Nut (RCR-12 Only)

\_\_\_\_\_ (1) RAM Tough Ball 1" 1/4"-20 x 1/2" (RCR-12 Only)

Inspected and Packaged By: \_\_\_\_\_ Date: \_\_\_\_\_

For questions or help with the installation, please email [help@sdhqoffroad.com](mailto:help@sdhqoffroad.com)  
Store front hours: Mon. – Fri. 8:00am – 5:30pm and Sat. 9:00am – 2:00pm Arizona Time.





SDHQ Motorsports  
 190 S McQueen Rd  
 Ste 109 Gilbert, AZ 85233  
[www.SDHQoffroad.com](http://www.SDHQoffroad.com)

## INSTALLATION INSTRUCTIONS

**Product:** SDHQ-53-1130-XK70

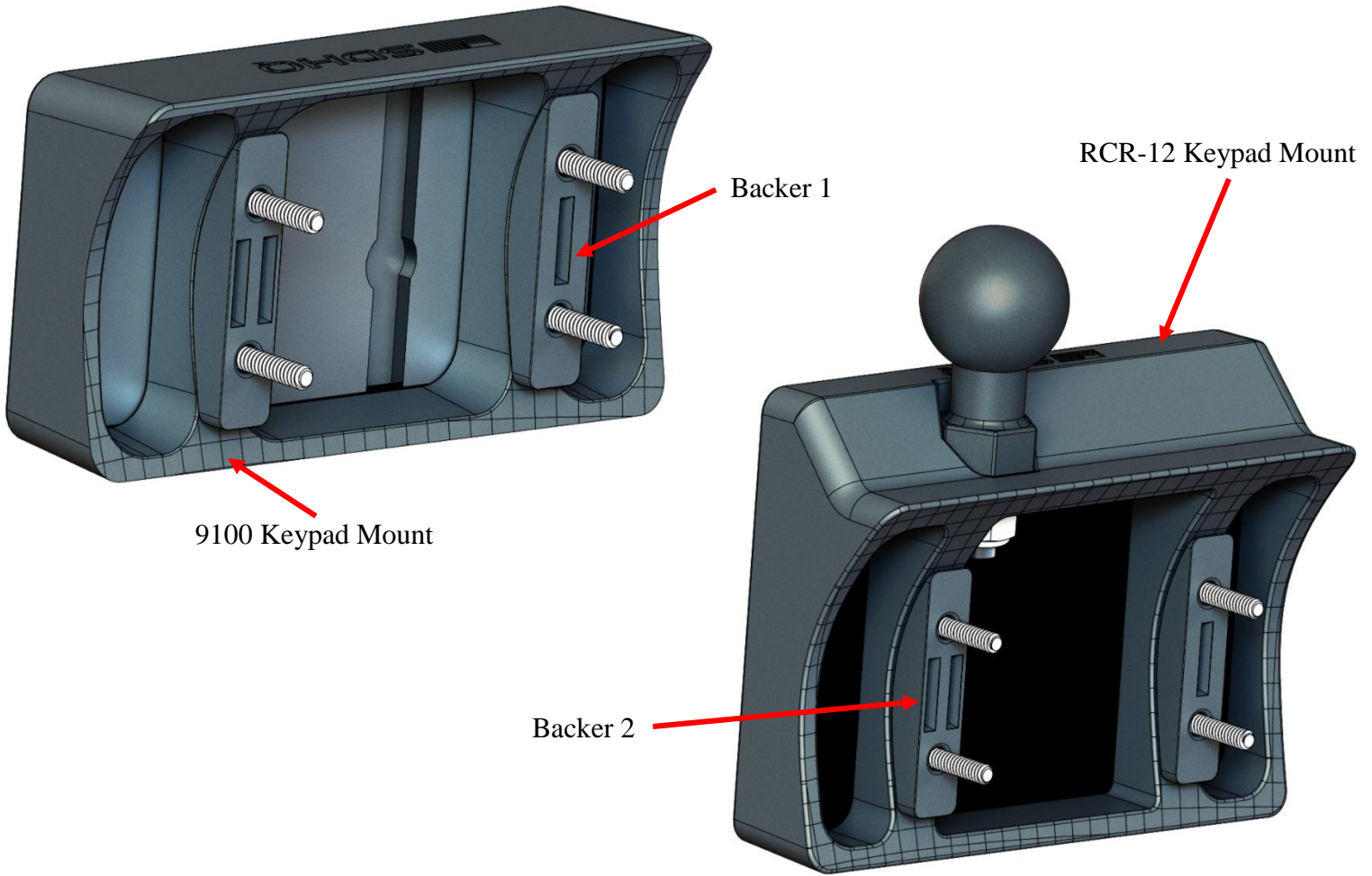
**Description:** 2022-current Toyota Tundra Switch Pros SP-9100/ RCR-12 3D Printed Dash Keypad Mount



<b>Parts List</b>	<b>Hardware List</b>	<b>Required Tools</b>
(1) SDHQ 3D Printed SP9100/RCR12 Dash Mount <b>SDHQ-53-1130-XK70-9100</b> <u>OR</u> <b>SDHQ-53-1130-XK70-RCR12</b> (1) SDHQ 3D Printed Backer <b>SDHQ-53-1130-XK70-A</b> (1) SDHQ 3D Printed Backer 2 <b>SDHQ-53-1130-XK70-B</b> (1) Hardware Package <b>SDHQ-53-1130-XK70-HP</b>	(4) #6-32 x 1 SS Threaded Rod <b>(RCR-12 only)</b> (1) 1/4"-20 S.S. Nylock Nut (1) 1" RAM Tough Ball 1/4"-20 x 1/2"	<b>Plastic Panel Remover</b> <b>Drill</b> <b>1/8" Drill Bit</b> <b>5/32" Drill Bit</b> <b>3/4" Step Drill Bit</b> <b>7/16" Wrench</b> <b>Razor Blade or Cutters</b>
<b>Tech Notes</b>		
Instructions show install of 53-1130-XK70-9100, RCR-12 keypad mount install is identical <b>**Approx. Install Time: 1 Hour (not including wiring)**</b>		

**\*\*\*READ ALL INSTRUCTIONS THOROUGHLY FROM START TO FINISH BEFORE BEGINNING INSTALLATION!\*\*\***

For questions or help with the installation, please email [help@sdhqoffroad.com](mailto:help@sdhqoffroad.com)  
 Store front hours: Mon. – Fri. 8:00am – 5:30pm and Sat. 9:00am – 2:00pm Arizona Time.



### **Installation Instructions:**

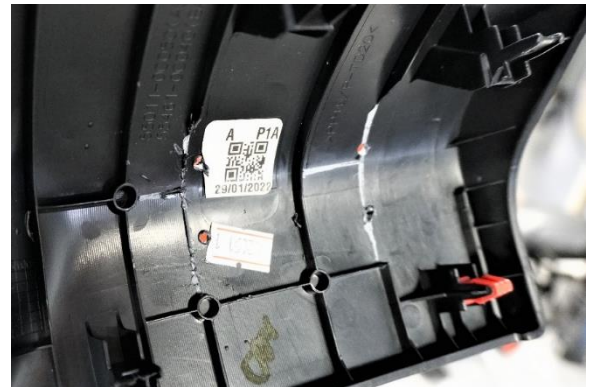
1. Unbox all parts and familiarize yourself with them.
2. Remove the dash trim piece from the driver side by using your trim tool to unclip from the back going forward towards the dash. The trim piece slides out from the dash once unclipped fully.



- Position and secure with tape, your bare keypad mount on the dash trim piece as pictured. Drill a 1/8" pilot hole into the panel using each of your mounts bolt holes as a guide and another pilot hole in the center opening of the bare mount towards the front of the panel. Remove the keypad mount and re-drill the (4) bolt holes with your 5/32" drill bit and use your step drill bit to drill your center hole to 3/4" for the wire harness.



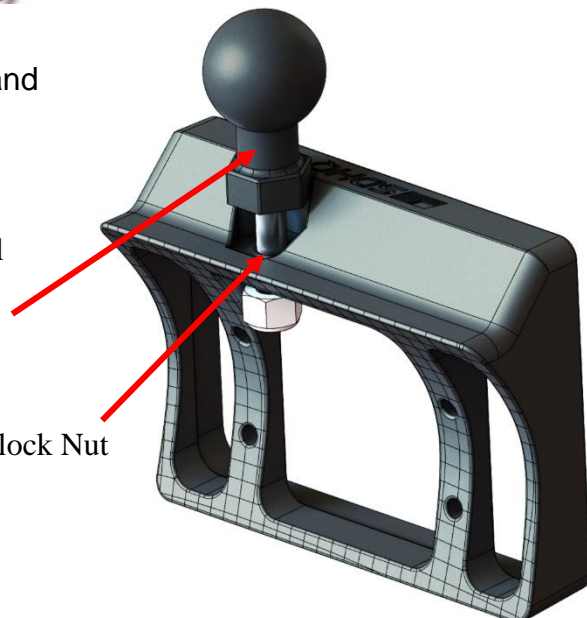
- Turn the panel over and trim any ribs that would keep the backers from mounting flat against the back side.



- Skip this step if you are using the 9100 Keypad mount.** Take the RAM Tough-Ball and place it into the keypad mount and tighten down with the 1/4"-20 S.S. nylock nut.

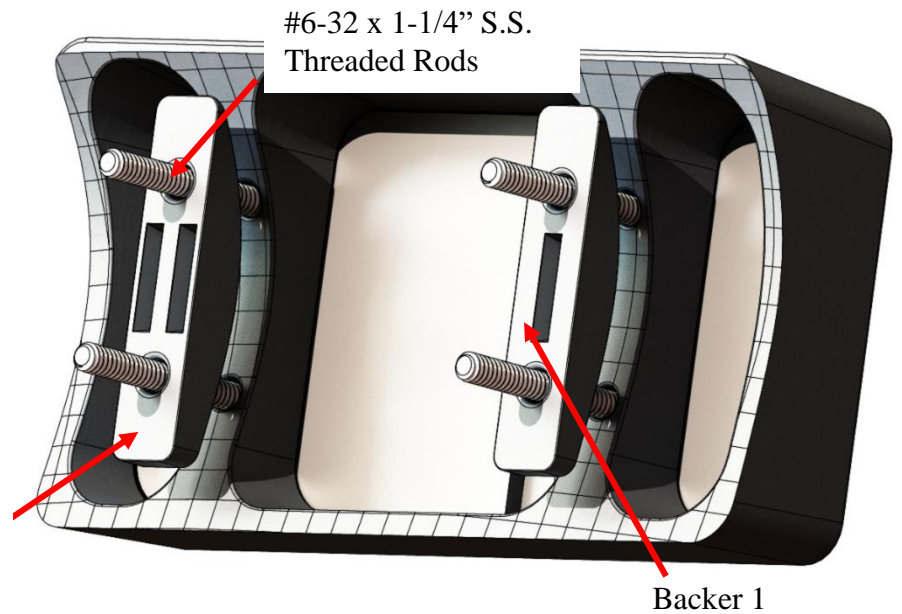
RAM Tough-Ball

1/4"-20 Nylock Nut



For questions or help with the installation, please email [help@sdhqoffroad.com](mailto:help@sdhqoffroad.com)  
Store front hours: Mon. – Fri. 8:00am – 5:30pm and Sat. 9:00am – 2:00pm Arizona Time.

6. Install your Switch Pros keypad into the mount and align over your holes on the drilled panel. Feed the wire harness through the larger hole and thread in the (4) 6-32 threaded rods through the backers on the back side of the panel as shown on Page 4. Use the Switch Pro provided nuts to secure. (**Note:** pay attention to the orientation of the backers, they are slightly different between Backer 1 and Backer 2)



7. Wire and reinstall your panel with attached keypad and enjoy your SDHQ 3D printed Switch Pros Keypad Mount!



\*\*\*Double check all hardware is installed correctly and tight\*\*\*  
 \*\*\*Re-torque ALL bolts after 100 miles\*\*\*



190 S McQueen Rd  
 Ste 109 Gilbert, AZ 85233  
[www.sdhqoffroad.com](http://www.sdhqoffroad.com)

Follow us on:



Facebook



Instagram

For questions or help with the installation, please email [help@sdhqoffroad.com](mailto:help@sdhqoffroad.com)  
 Store front hours: Mon. – Fri. 8:00am – 5:30pm and Sat. 9:00am – 2:00pm Arizona Time.