



SDHQ Motorsports
190 S McQueen Rd
Ste 109 Gilbert, AZ 85233
Phone: 480-633-2929

Product Packing List

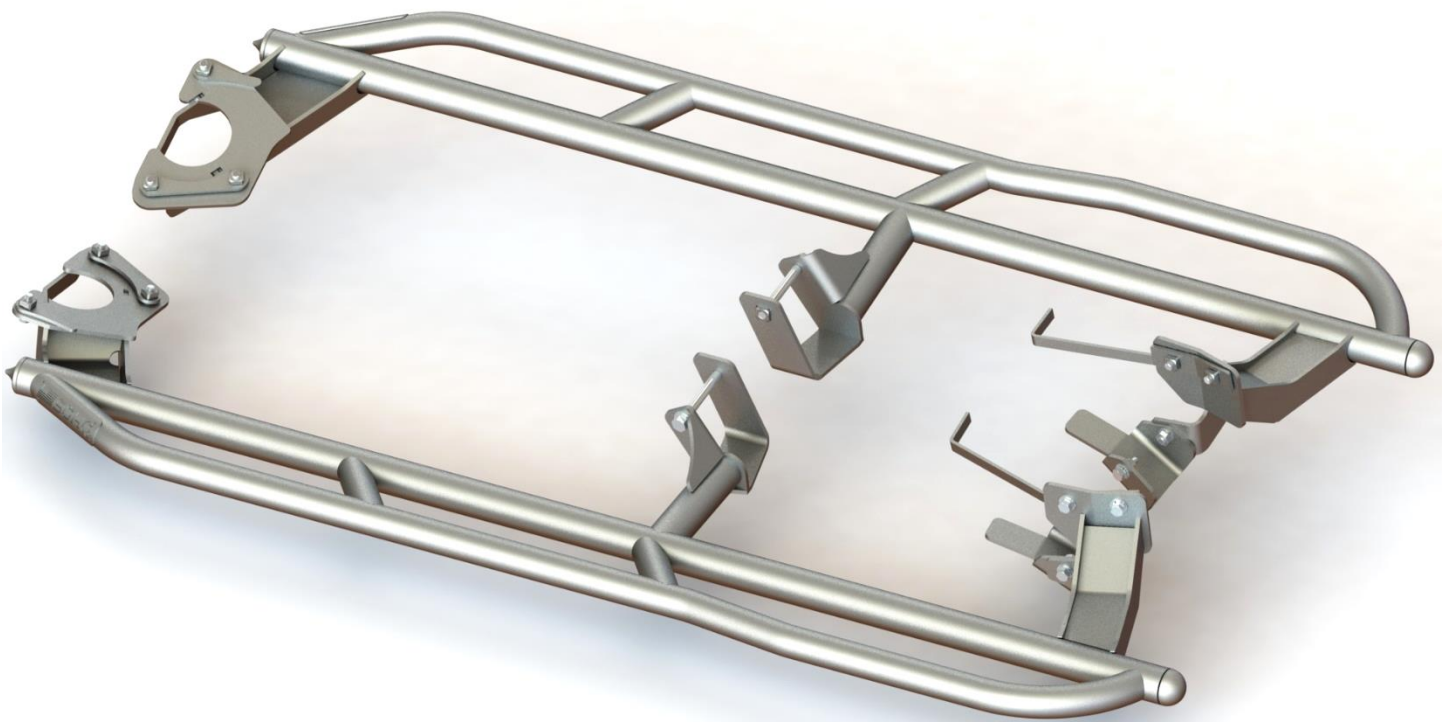
Product: SDHQ-52-1540-200

Description: 2008-21 200 Series Land Cruiser Rock Sliders

- | | |
|--|---------------------|
| _____ (1) Driver Side Slider | SDHQ-52-1540-200-A |
| _____ (1) Passenger Side Slider | SDHQ-52-1540-200-B |
| _____ (1) Driver Rear Lower Link Skid | SDHQ-52-1540-200-C |
| _____ (1) Passenger Rear Lower Link Skid | SDHQ-52-1540-200-D |
| _____ (1) Driver Rear Backer Bracket | SDHQ-52-1540-200-E |
| _____ (1) Passenger Rear Backer Bracket | SDHQ-52-1540-200-F |
| _____ (2) Front Inner Double Bracket | SDHQ-53-1540-63-C |
| _____ (2) Front Inner Single Bracket | SDHQ-50-1540-P4 |
| _____ (1) Hardware Package | SDHQ-52-1540-200-HP |
| _____ (14) 7/16" - 14 x 1 1/2" Grade 8 Bolts | |
| _____ (14) 7/16" Grade 8 Flat Washers | |
| _____ (14) 7/16" Grade 8 Lock Washers | |
| _____ (4) 7/16" Grade 8 Lock Nuts | |
| _____ (1) 1/2" - 13 x 5" Grade 8 Bolt | |
| _____ (1) 1/2" - 20 x 4 1/2" Grade 8 Bolt | |
| _____ (1) 1/2" - 13 x Grade 8 Lock Nut | |
| _____ (3) 1/2" Grade 8 Flat Washers | |
| _____ (2) 1/2" Grade 8 Lock Washers | |
| _____ (1) Tube of Red Loctite | |

Inspected and Packaged By: _____ **Date:** _____

For questions or help with the installation, please call SDHQ Offroad @ 480-633-2929
Mon.-Fri. 8:00am-5:30pm and Sat. 8:00am-3:30pm Arizona Time. www.sdhqoffroad.com



For questions or help with the installation, please call SDHQ Offroad @ 480-633-2929
Mon.–Fri. 8:00am–5:30pm and Sat. 8:00am–3:30pm Arizona Time. www.sdhqoffroad.com



SDHQ Motorsports
 190 S McQueen Rd
 Ste 109 Gilbert, AZ 85233
 Phone: 480-633-2929

INSTALLATION INSTRUCTIONS

Product: SDHQ-52-1540-200

Description: 2008-21 200 Series Land Cruiser Rock Sliders



Parts List	Hardware List	Required Tools
(1) Driver Side Slider SDHQ-52-1540-200-A (1) Passenger Side Slider SDHQ-52-1540-200-B (1) Driver Rear Lower Link Skid SDHQ-52-1540-200-C (1) Passenger Rear Lower Link Skid SDHQ-52-1540-200-D (1) Driver Rear Backer Bracket SDHQ-50-1540-200-E (1) Passenger Rear Backer Bracket SDHQ-50-1540-200-F (2) Front Inner Double Bracket SDHQ-53-1540-G3-C (2) Front Inner Single Bracket SDHQ-50-1540-P4 (1) Hardware Package SDHQ-52-1540-200-HP	(14) 7/16" - 14 x 1 1/2" Grade 8 Bolts (18) 7/16" Grade 8 Flat Washers (14) 7/16" Grade 8 Lock Washers (4) 7/16" Grade 8 Lock Nuts (1) 1/2" - 13 x 5" Grade 8 Bolt (1) 1/2" - 20 x 4 1/2" Grade 8 Bolt (1) 1/2" Grade 8 Lock Nut (3) 1/2" Grade 8 Flat Washers (2) 1/2" Grade 8 Lock Washers (1) Tube of Red Loctite	12mm Socket/Wrench 5/8" Socket/Wrench 11/16" Socket/Wrench 3/4" Socket (2) 3/4" Wrenches Wobble Adapter Hydraulic Vehicle Jack

Tech Notes

The passenger's side slider can be tricky to bolt up next to the gas tank.
 Removal of the gas tank is not needed for installation.
 Follow instructions carefully in order to save time and frustration.
 Use red Loctite on all hardware.

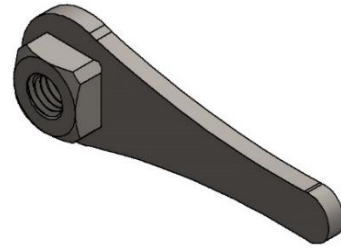
**** Approx install time = 3 - 4 hours****

For questions or help with the installation, please call SDHQ Offroad @ 480-633-2929
 Mon.-Fri. 8:00am-5:30pm and Sat. 8:00am-3:30pm Arizona Time. www.sdhqoffroad.com

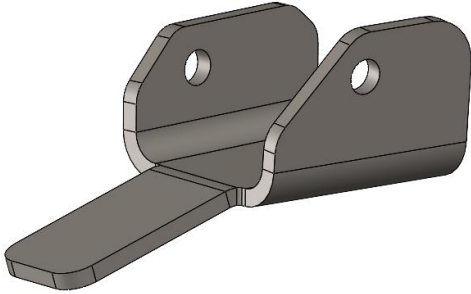
Front Inner Double Bracket
SDHQ-53-1540-G3-C



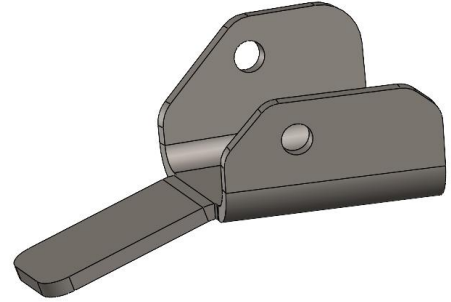
Front Inner Single Bracket
SDHQ-50-1540-P4



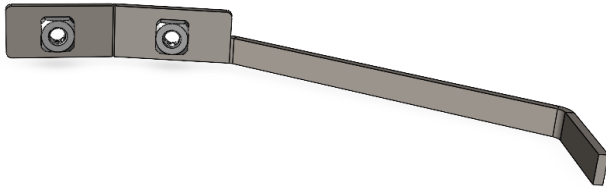
Driver Rear Lower Link Skid
SDHQ-52-1540-200-C



Passenger Rear Lower Link Skid
SDHQ-52-1540-200-D



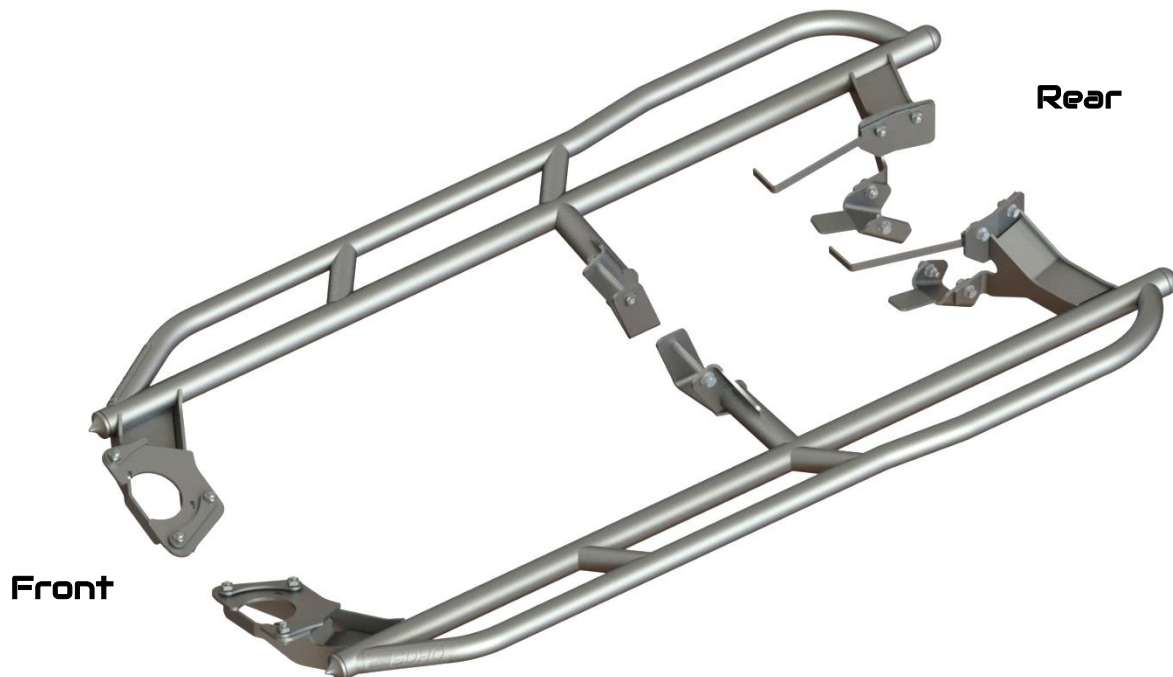
Driver Rear Backer Bracket
SDHQ-52-1540-200-E



Passenger Rear Backer Bracket
SDHQ-52-1540-200-F



SDHQ Land Cruiser Sliders
SDHQ-52-1540-200



For questions or help with the installation, please call SDHQ Offroad @ 480-633-2929
Mon.-Fri. 8:00am-5:30pm and Sat. 8:00am-3:30pm Arizona Time. www.sdhqoffroad.com

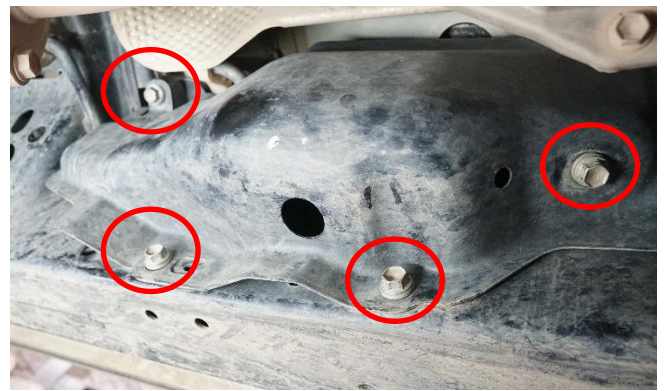
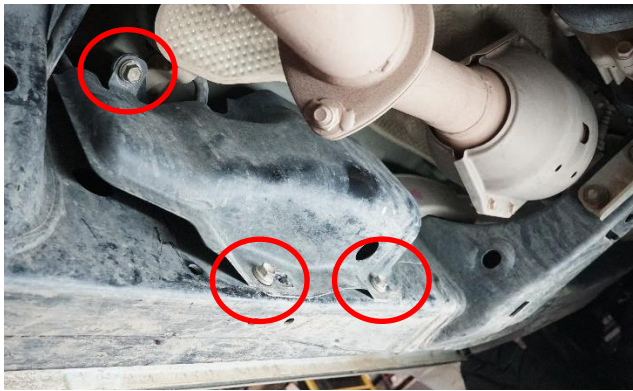
Installation Instructions:

1. Unbox your SDHQ Land Cruiser Sliders and lay out included parts and hardware. Familiarize yourself with the pieces, identifying driver from passenger side using the pictures on page 4.
2. Start by removing the stock side steps and set aside. Each side has (3) mounts with (2) 12mm bolts per mount.

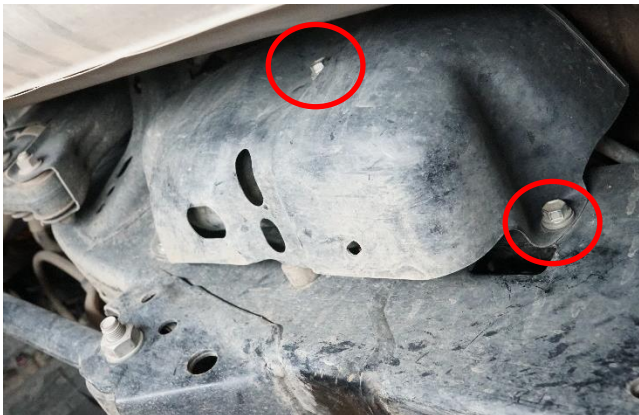


3. Next remove the (2) stock skid protectors from the driver side frame rail. The front protector is located near the Catalytic Converter on the passenger side and has (4) 12mm bolts mounting it to the frame. The rear protector is located above the driver side lower trailing arm mount and has (3) 12mm bolts mounting it to the frame.

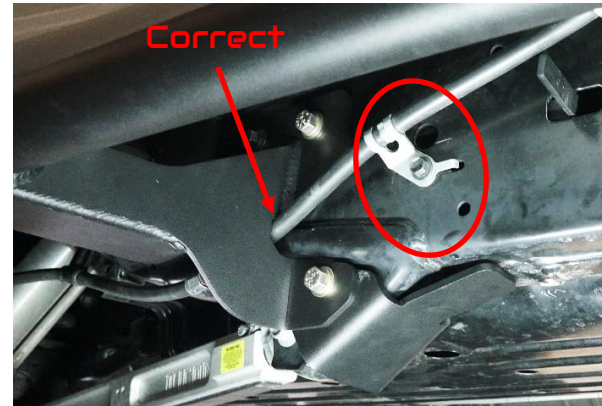
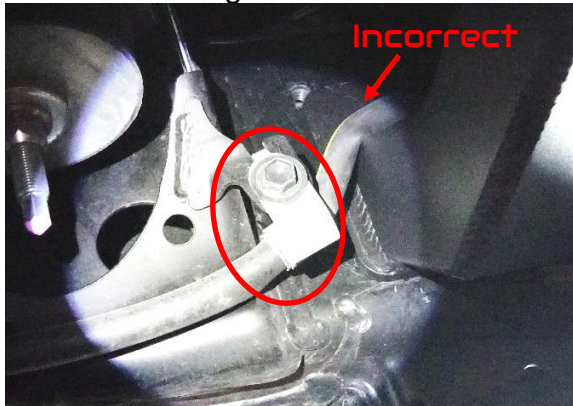
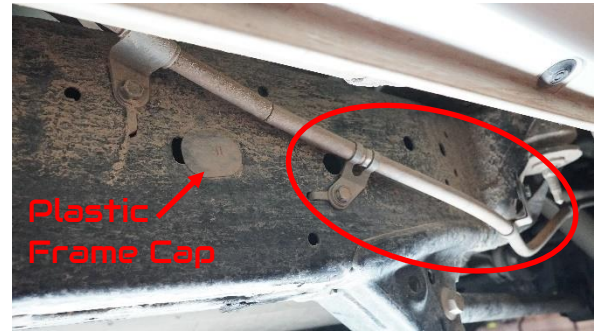
Front Skid Protector



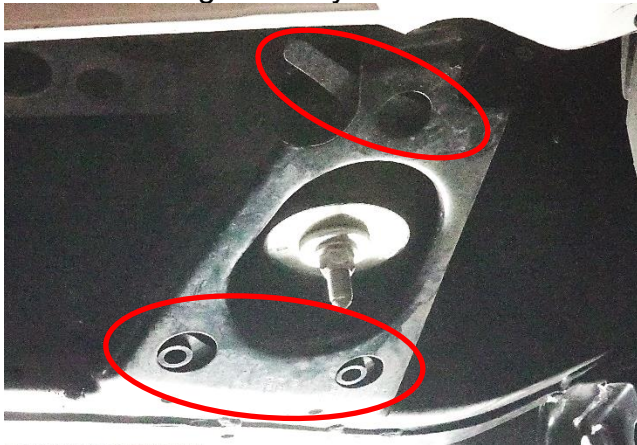
Rear Skid Protector



- Using a 12mm socket unbolt your vehicles rear (2) ABS line brackets located on each frame rail in front of the rear tires on both sides. Plastic frame caps will also be removed to allow for mounting the sliders. Failure to remove these brackets will not allow for correct positioning of the line during slider installation and put stress on the line, shown below. The bracket closest to the rear tire will be removed completely and the line routed through the rear mount.



- Starting with the driver's side, insert the Front Inner Double Bracket and the Front Inner Single Bracket into the front body mount. The Front Inner Double Bracket locates on the lower 2 open holes with the nuts facing up, spacer facing down, and the flat edge going away from the body mount. The Front Inner Single Bracket locates in the top open hole through the back side of the factory mount with the nut facing up. When tightening, make sure the tail of the bracket isn't contacting the body. This can cause noise and damage.



- Using a hydraulic jack or helper, lift the driver side slider into place over the frame rail making sure the rear brake line runs through the rear mount. Align the front mount with the body mount and loosely thread in the supplied (3) 7/16" bolts with lock washers and flat washers. Leave enough thread to allow for positioning of the sliders when bolting in the other mounts.



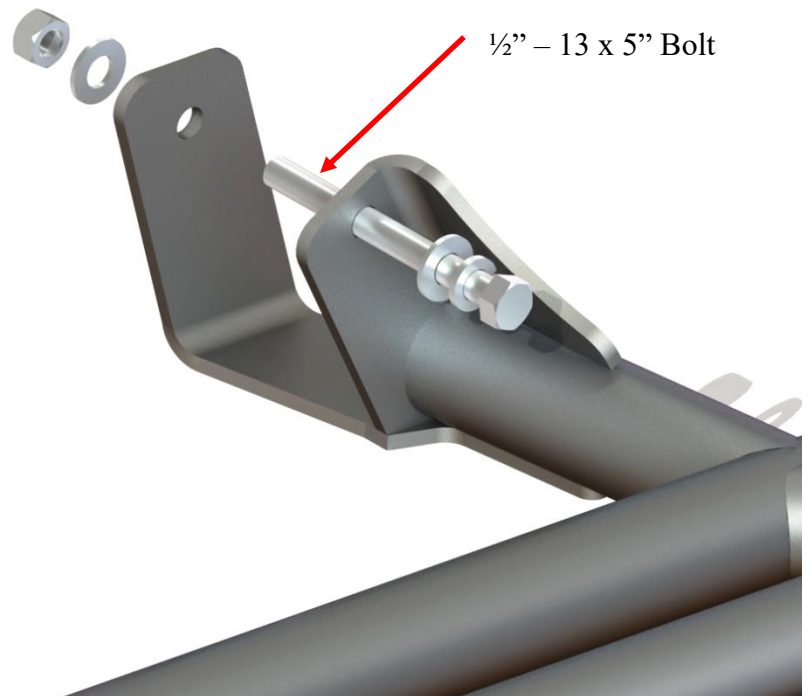
7. Position the Driver Side Rear Backer Bracket in the frame rail from the inside of the frame, as shown right. Backer Brackets can be difficult to align, take your time and be careful not to drop them into the frame. Align with the (2) top holes on the rear mount and loosely thread in (2) supplied 7/16" bolts with lock washers and flat washers.



8. Next slide the Driver Side Rear Lower Link Skid between the rear mount and link mount. Using (2) supplied 7/16" bolts with lock washers and flat washers, mount up the link skid and thread (2) 7/16" lock nuts with flat washers from inside the mount.



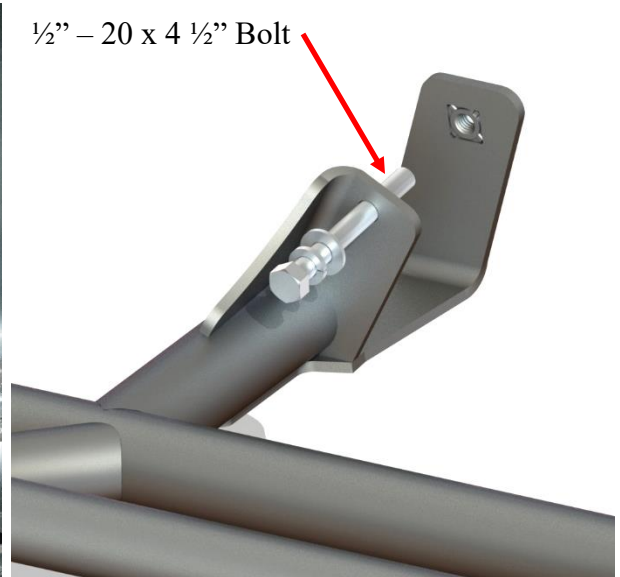
9. Insert the longer 1/2" – 13 x 5" bolt with a lock washer and flat washer through the middle mount. Thread on the included 1/2" lock nut with a 1/2" flat washer to backside of the bolt as shown below. The passenger side middle mount uses the 1/2"- 20 x 4 1/2" bolt with lock washer and flat washer with a weld nut on the inside of the mount to secure it while clearing the gas tank. Use of a 1/2" – 13 x 5" bolt on passenger side mount will result in a punctured gas tank and stripped threads on the weld nut. Use **ONLY** the 1/2" – 20 x 4 1/2" bolt on the passenger side.



10. All hardware can be tightened and the ABS line brackets in front of the rear mount replaced. With a jack supporting the bottom of the middle mount, torque all 7/16" hardware to 52 ft-lbs starting from the front working towards the rear. Then torque the 1/2" hardware to 80 ft-lbs.

For questions or help with the installation, please call SDHQ Offroad @ 480-633-2929
Mon.–Fri. 8:00am–5:30pm and Sat. 8:00am–3:30pm Arizona Time. www.sdhqoffroad.com

11. Repeat Steps 3-10 for the passenger side slider. Passenger Side Rear Backer Bracket will be placed into the frame rail from the outside of the frame as shown below. Both backer brackets can be difficult to align, take your time and be careful to not drop them into the frame rails. The passenger side lower link skid will need (2) 3/4" wrenches to tighten the bolt and nut closest to the gas tank. The passenger side middle mount uses the 1/2"- 20 x 4 1/2" bolt with lock washer and flat washer with a weld nut on the inside of the mount to secure it while clearing the gas tank. Using the 1/2" – 13 x 5" bolt on passenger mount will result in a punctured gas tank and stripped threads on the weld nut. Use **ONLY** the 1/2" – 20 x 4 1/2" bolt on the passenger side.



12. All hardware can be tightened and the ABS line brackets in front of the rear mount replaced. With a jack supporting the bottom of the middle mount, torque all 7/16" hardware to 52 ft-lbs starting from the front working towards the rear. Then torque the 1/2" hardware to 80 ft-lbs. Enjoy your new SDHQ Land Cruiser Rock Sliders!

*****Double check all hardware is installed correctly and tight*****

*****Re-torque ALL bolts after 100 miles*****



190 S McQueen Rd
Ste 109 Gilbert, AZ 85233
Phone: 480-633-2929 | Fax: 480-633-1791
www.sdhqoffroad.com

Follow us on:



Facebook



Instagram

For questions or help with the installation, please call SDHQ Offroad @ 480-633-2929
Mon.–Fri. 8:00am–5:30pm and Sat. 8:00am–3:30pm Arizona Time. www.sdhqoffroad.com