



SDHQ Motorsports
190 S McQueen Rd
Ste 109 Gilbert, AZ 85233
Phone: 480-633-2929

Product Packing List

Product: SDHQ-50-1304

Description: 1996+ 4Runner, 2005+ Tacoma, 2007-21 Tundra, 2008-21 Land Cruiser, 2007-14 Fj Cruiser, 2003-09 GX470, 2010+ GX460, 2007-21 LX570, ABS Guards

- | | |
|---|----------------|
| _____ (2) Driver Side ABS Guard | SDHQ-50-1304-A |
| _____ (2) Passenger Side ABS Guard | SDHQ-50-1304-B |
| _____ (1) Hardware Package | SDHQ-50-1304-C |
| _____ (4) M6 - 1.0 x 35mm Socket Head Bolts | |
| _____ (4) M6 - 1.0 x 40mm Socket Head Bolts | |
| _____ (2) M6 - 1.0 Hex Nuts | |

OPTIONAL

- | | |
|---|-----------------|
| _____ (1) '96-'02 4Runner Hardware Package | SDHQ-54-1304-G3 |
| _____ (2) M6 - 1.0 x 30mm Socket Head Bolts | |

Packaged and Shipped By: _____ Date: _____

For questions or help with the installation, please call SDHQ Offroad @ 480-633-2929
Mon.-Fri. 8:00am-5:30pm and Sat. 8:00am-3:30pm Arizona Time. www.sdhqoffroad.com

**For questions or help with the installation, please call SDHQ Offroad @ 480-633-2929
Mon.–Fri. 8:00am–5:30pm and Sat. 8:00am–3:30pm Arizona Time. www.sdhqoffroad.com**

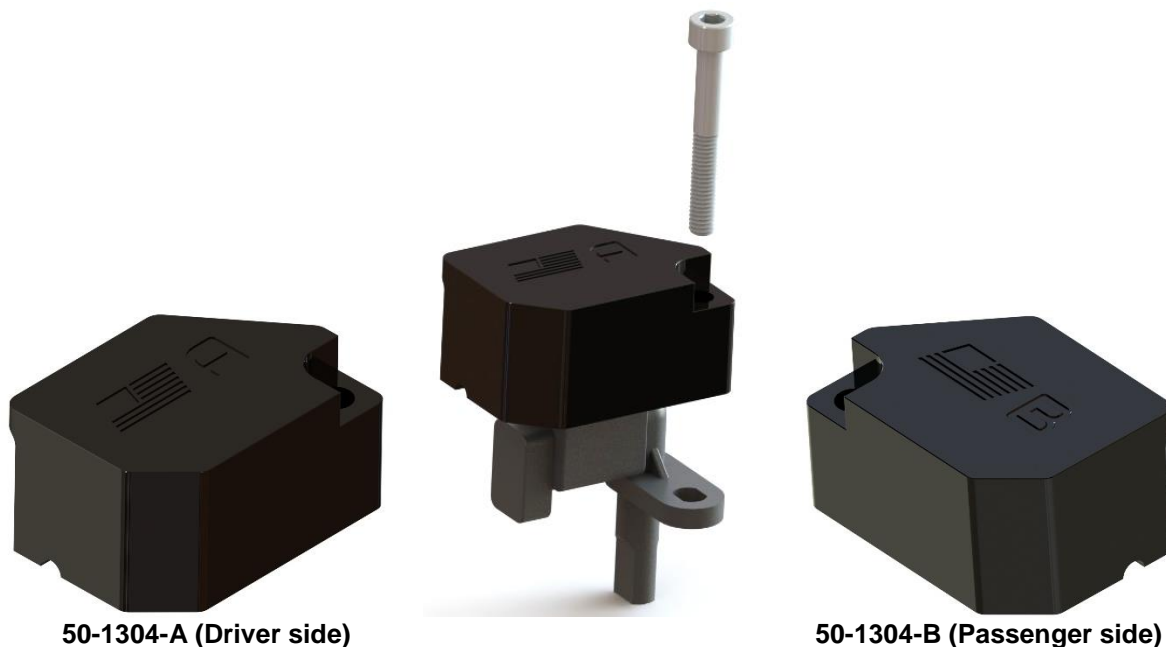


SDHQ Motorsports
 190 S McQueen Rd
 Ste 109 Gilbert, AZ 85233
 Phone: 480-633-2929

INSTALLATION INSTRUCTIONS

Product: SDHQ-50-1304

Description: 1996+ 4Runner, 2005+ Tacoma, 2007-21 Tundra, 2008-21 Land Cruiser and 2007-14 Fj Cruiser, 2003-09 GX470, 2010+ GX460, 2007-21 LX570 ABS Guards



50-1304-A (Driver side)

50-1304-B (Passenger side)

<u>Parts List</u>	<u>Hardware List</u>	<u>Required Tools</u>
(2) Driver side ABS Guard SDHQ-50-1304-A (2) Passenger side ABS Guard SDHQ-50-1304-B (1) Hardware Package	(2) M6 – 1.0 Hex Nuts <u>Tacoma, '03+ 4Runner and Fj:</u> (4) M6 - 1.0 X 40mm Socket Head Bolts <u>Tundra and Land Cruiser:</u> (4) M6 - 1.0 X 35mm Socket Head Bolts <u>'96-'02 4Runner:</u> (2) M6 - 1.0 X 35mm Socket Head Bolts (2) M6 - 1.0 X 30mm Socket Head Bolts (Optional)	10mm socket / wrench 5mm allen wrench

Tech Notes

These guards help protect your vulnerable factory ABS sensors from rocks and debris. Your factory hardware will be replaced with upgraded 12.9 bolts. The Tacoma only uses (3) ABS Guards as there is no need for a guard on the passenger rear sensor because the sensor is on the backside of the axle and not in harm's way.

'96-'02 4Runner ABS Guards will be installed on reverse sides. 50-1304-A (Passenger side) and 50-1304-B (Driver side)
 '96-'02 4Runner owners will need to purchase their specific kit to receive the optional (2) M6 – 1.0 x 30mm bolts.

Do NOT over torque the bolts. They only require 6 ft-lbs of torque.

READ ALL INSTRUCTIONS THOROUGHLY FROM START TO FINISH BEFORE BEGINNING INSTALLATION!

For questions or help with the installation, please call SDHQ Offroad @ 480-633-2929
 Mon.–Fri. 8:00am–5:30pm and Sat. 8:00am–3:30pm Arizona Time. www.sdhqoffroad.com

05+ Tacoma/03+ 4Runner/07-14 Fj/07-20 Tundra/08-20 Land Cruiser Installation Instructions:

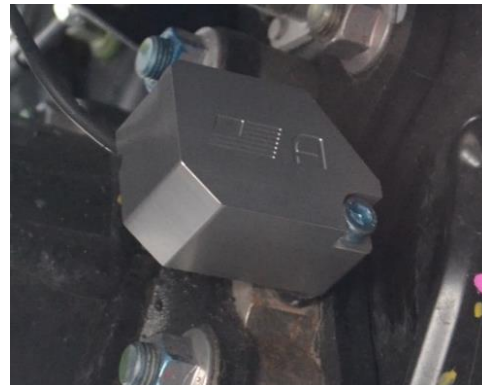
1. To install the front guards on the Tacoma/4Runner/Fj, remove the factory 10mm bolt securing the sensor. To install the front guards on the Tundra/Land Cruiser, remove the factory 5mm allen bolt holding the sensor. Install the guard on the appropriate side (50-1304-A is for driver side, 50-1304-B is for passenger side) using the provided hardware and adjust so the bottom plate is parallel to the ground and tighten. The Tacoma/4Runner/Fj require the M6 - 1.0 x 40mm Socket Head Bolts while the Tundra/Land Cruiser requires the M6 - 1.0 x 35mm Socket Head Bolts. Use Medium Strength Loctite and torque to 6 ft-lbs. (Driver's side shown)



2. To install the rear guard, remove the 10mm nut securing the sensor. Pull the sensor out and remove the factory stud. To remove the factory studs, (2) M6 – 1.0 nuts will need to be threaded onto the stud. Thread the first nut about half way down the stud. Thread the second nut to the first one. Use a 10mm wrench and 10mm socket and ratchet to tighten the second nut to the first nut. Use the 10mm wrench to remove the stud using the first nut.



3. Install the guard using the provided hardware and adjust so the bottom plate is parallel to the ground and tighten. Use Medium Strength Loctite and torque to 6 ft-lbs. The Tacoma only requires the driver's side rear guard.



96-02 4Runner Install Instructions:

1. To install the front guards on the 3rd Gen 4Runner, remove the factory 10mm bolt securing the sensor. Install the guard on the appropriate side (50-1304-A is for passenger side, 50-1304-B is for driver side) using the provided hardware and adjust so the bottom plate is parallel to the ground and tighten. This requires the (2) M6 - 1.0 x 35mm socket head bolt. Use Medium Strength Loctite and torque to 6 ft-lbs. (Driver's side shown)



2. To install the rear guard, remove the 10mm bolt securing the sensor. Using the provided M6-1.0 x 30mm socket head bolt, apply medium strength Loctite and torque to 6 ft-lbs. (Passenger side shown)



*****Double check all hardware is installed correctly and tight*****

*****Re-torque ALL bolts after 100 miles*****



190 S McQueen Rd
Ste 109 Gilbert, AZ 85233
Phone: 480-633-2929 | Fax: 480-633-1791
www.sdhqoffroad.com

Follow us on:



Facebook



Instagram

For questions or help with the installation, please call SDHQ Offroad @ 480-633-2929
Mon.–Fri. 8:00am–5:30pm and Sat. 8:00am–3:30pm Arizona Time. www.sdhqoffroad.com