



SDHQ Motorsports
190 S McQueen Rd
Ste 109 Gilbert, AZ 85233
www.SDHQoffroad.com

Product Packing List

Product: SDHQ-31-3003-G5-SB

Description: 2019-current RAM 2500/3500 Complete Billet Battery Terminal and Distribution Kit

- | | |
|---|---------------------|
| _____ (1) SDHQ Billet Battery Distribution Kit | SDHQ-02-3003-D2 |
| _____ (1) SDHQ Billet Battery Sensor Terminal Kit | SDHQ-02-3003-TS1 |
| _____ (1) 18" 4 AWG Negative Wire | SDHQ-02-3304-B18-35 |
| _____ (1) Hardware Package | SDHQ-31-3003-G5-HP |
| _____ (1) Distribution Block Mount | SDHQ-31-3003-G5-A |
| _____ (1) M8-1.25 S.S. Serrated Flange Head Nut | |
| _____ (1) ¼"-20 x 1" S.S. Button Head Bolt | |
| _____ (2) ¼" S.S. Washers | |
| _____ (1) ¼"-20 S.S. Nylock Nut | |

Included in SDHQ-02-3003-TS1

- | | |
|---|---------------------|
| (1) Billet Negative Sensor Terminal | SDHQ-02-3003-TS1 |
| (1) Hardware Package | SDHQ-02-3003-TS1-HP |
| (1) Black Post Washer | |
| (1) 5/16" - 18 x 1 ½" Battery Terminal Bolt | |
| (1) 5/16" - 18 Battery Shoulder Nut | |
| (1) M6 SS Serrated Flange Head Nut | |

Inspected and Packaged By: _____ Date: _____

Included in **SDHQ-02-3003-D2**

- (1) Billet Positive Battery Terminal
- (1) Billet Negative Distribution Block
- (1) Hardware Package

SDHQ-02-3003-T2-P-Rev2

SDHQ-02-3003-D2-N

SDHQ-02-3003-D2-A

- (1) Positive Battery Protective Boot
- (1) Red Post Washer
- (1) M8 - 1.25 x 30mm S.S. Socket Head Bolt
- (1) 5/16" - 18 x 1 1/2" Battery Terminal Bolt
- (1) 5/16" - 18 Battery Shoulder Nut
- (5) 1/4" - 20 x 1/2" S.S. Hex Head Bolt
- (5) 1/4" S.S. Washer
- (1) 5/16" - 18 x 1" S.S. Hex Head Bolt
- (1) 5/16" - 18 x 3/4" S.S. Hex Head Bolt
- (2) 5/16" S.S. Washer
- (2) 3/8" - 16 x 2" S.S. Hex Head Bolt
- (4) 3/8" S.S. Washers
- (2) 3/8" - 16 S.S. Nuts
- (1) Small Tube of Anti-Seize



SDHQ Motorsports
 190 S McQueen Rd
 Ste 109 Gilbert, AZ 85233
www.SDHQoffroad.com

INSTALLATION INSTRUCTIONS

Product: SDHQ-31-3003-G5-SB

Description: 2019-current RAM 2500/3500 Billet Battery Terminal and Distribution Kit



<u>Parts List</u>	<u>Hardware List</u>	<u>Required Tools</u>
<ul style="list-style-type: none"> (1) SDHQ Billet Battery Distribution Kit SDHQ-02-3003-D2 (1) SDHQ Billet Battery Terminal Sensor Kit SDHQ-02-3003-TS1 (1) SDHQ 18" 4 AWG Negative Wire SDHQ-02-3304-B18-35 (1) Hardware Package SDHQ-31-3003-G5-HP (1) Distribution Block Mount SDHQ-31-3003-G5-A 	<ul style="list-style-type: none"> (1) M8-1.25 S.S. Serrated Flange Head Nut (1) 1/4"-20 x 1" S.S. Button Head Bolt (2) 1/4" S.S. Washers (1) 1/4"-20 S.S. Nylock Nut 	<ul style="list-style-type: none"> 7mm Socket 10mm Socket/wrench 12mm Socket/wrench 13mm Socket/Wrench 7/16" Socket/Wrench 1/2" Socket/Wrenches 9/16" Socket/Wrench 5/16" Hex Key 5/32" Hex Key Ratchet Rubber Mallet/Dead Blow Pliers Flush Cuts Panel/Clip Removal Tool

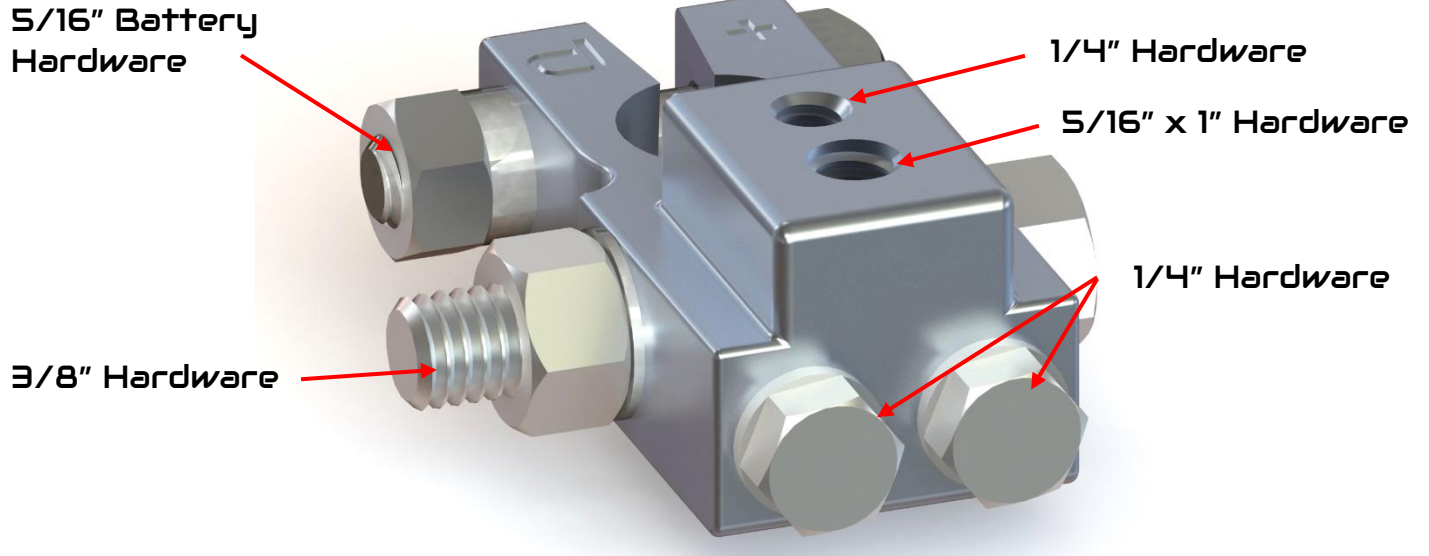
Tech Notes

Tighten the 5/16" Battery Bolt and Nut using 1/2" wrenches on both to prevent damaging the battery post
 Apply Anti-Seize to all S.S. hardware.
 Follow the Torque Specifications on the bottom of Page 9.
 Fits 2019-current RAM 2500/3500 Trucks.

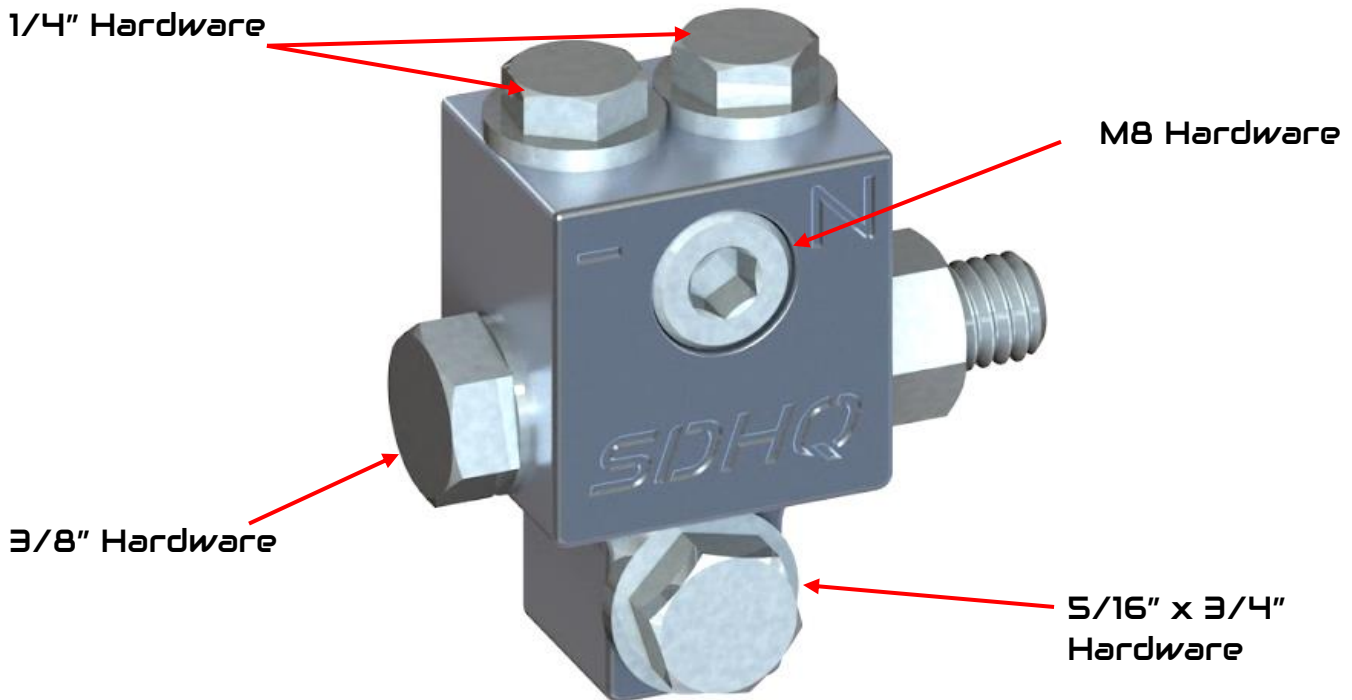
Approx. Install Time: 1.5 Hours

For questions or help with the installation, please email help@sdhqoffroad.com
 Mon.–Fri. 8:00am–5:30pm and Sat. 8:00am–3:30pm Arizona Time. www.sdhqoffroad.com

SDHQ Positive/Negative Battery Terminal (without Stud)



SDHQ Negative Distribution Block



*****READ ALL INSTRUCTIONS THOROUGHLY FROM START TO FINISH BEFORE BEGINNING INSTALLATION! *****

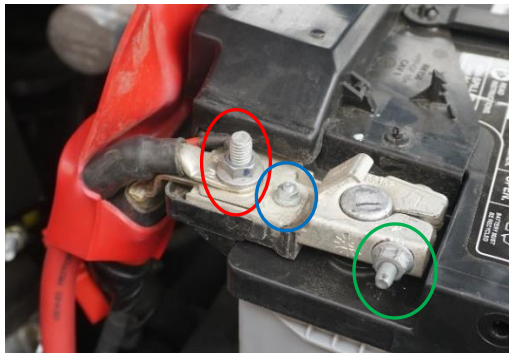
For questions or help with the installation, please email help@sdhqoffroad.com
Mon.-Fri. 8:00am-5:30pm and Sat. 8:00am-3:30pm Arizona Time. www.sdhqoffroad.com

Installation Instructions:

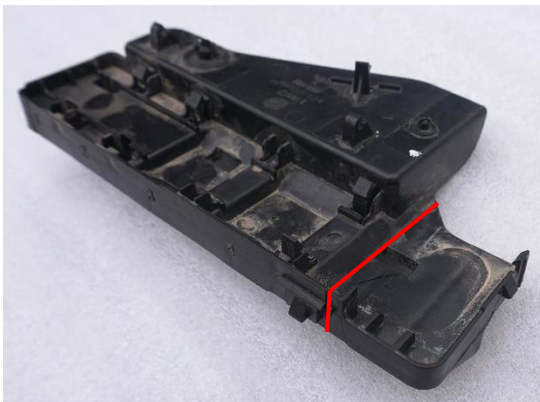
1. Unbox your SDHQ Built Complete Billet Battery Terminal Kit and check over all parts. Familiarize yourself with the parts and diagrams above.
2. **Disconnecting Batteries:** Starting on the driver side remove the negative terminal from the battery and disconnect it from the sensor using a 10mm socket for both. Keep the sensor 10mm nut to be reused later. Set aside the terminal as it will be replaced.



3. **Driver Side Positive Install:** Remove the plastic strap going across the battery and set it aside. Remove the driver's side positive terminal using a 12mm, 10mm and 7mm socket. Once all bolts are removed open the plastic cover and unclip the bus bar from the plastic housing. Remove the positive terminal and factory red terminal boot and set them aside.



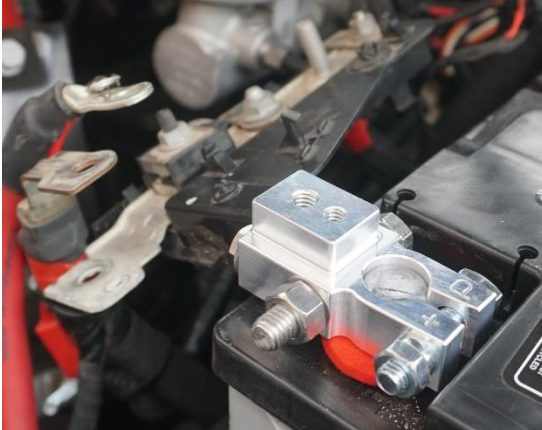
4. **Driver Side Positive Install Continued:** Next trim the bottom of the cover using some flush cuts as shown below. When trimmed snap the bus bar back into the plastic housing. Be sure to not trim off the front clip shown in blue below.



5. **Driver Side Positive Install Continued:** Assemble your positive terminal from the distribution block kit (SDHQ-02-3003-D2). Then mount it on the positive stud using a red terminal washer

For questions or help with the installation, please email help@sdhqoffroad.com
Mon.–Fri. 8:00am–5:30pm and Sat. 8:00am–3:30pm Arizona Time. www.sdhqoffroad.com

under. Tap the terminal with a dead blow hammer to help it seat on the lug before tightening the 5/16 battery bolt to lock it in place. Next remove the push in zip tie from the main positive wire to provide a little more slack when bolting to the positive terminal. ** Tighten the 5/16" battery bolt (1) rotation before installing on the lug if the terminal doesn't seat at first. **



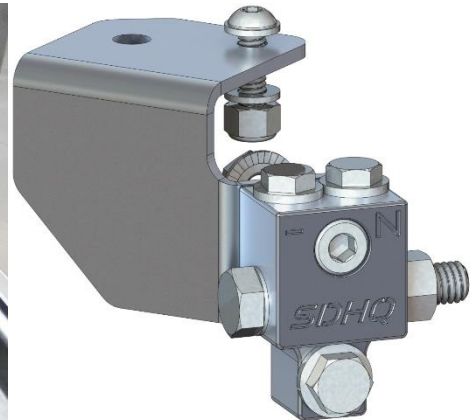
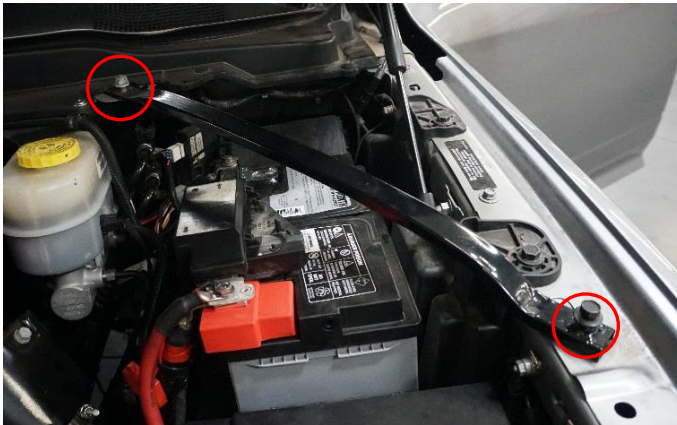
- 6. Driver Side Positive Install Continued:** Attach all necessary accessories to the positive terminal and then install the SDHQ red terminal boot. Install the bus bar and positive wire to the top 5/16" bolt hole on the terminal and replace the plastic cover.



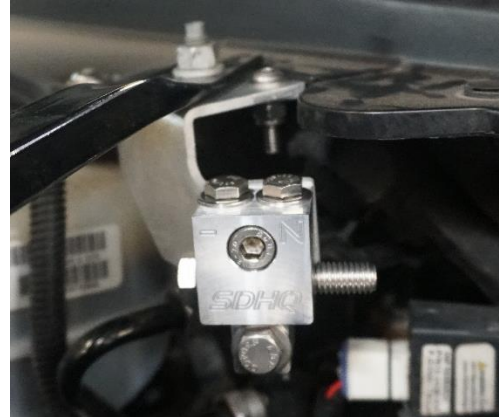
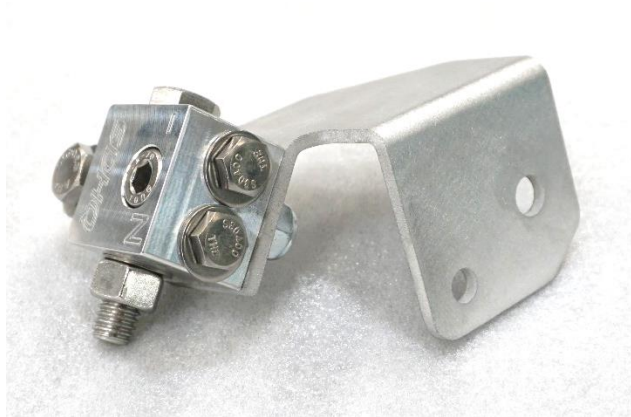
- 7. Driver Side Negative Install:** Remove the negative wires from the sensor using a 10mm socket. Next open and assemble the Billet Terminal Sensor Kit (**SDHQ-02-3003-TS1**). Attach the terminal sensor to the billet terminal using the 10mm nut removed in **Step 2** as shown. Then mount it on the negative lug using a black terminal washer under. Tap the terminal with a dead blow hammer to help it seat on the lug before tightening the 5/16" battery bolt to lock it in place. Leave the negative wires disconnected for now.



8. **Installing the Negative Distribution Block:** Assemble the negative distribution block as shown in the diagrams on page 4. Remove the driver fender support bar using a 13mm socket on the nut and bolt.



9. **Installing the Negative Distribution Block Continued:** Attach the distribution block to the mount using the M8 socket head bolt and M8 flange head nut as shown. Then install the mount on the fender support stud rotating it under the plastic cowling. Replace the fender support over the mount and secure using the supplied 1/4" hardware.



10. **Installing the Negative Distribution Block Continued:** Attach the supplied 4 AWG negative wire to the 3/8" bolt on the distribution block so it's running straight down. Attach any other accessories to the Distribution Block and tighten all hardware. Run the 4 AWG under the factory negative wires and then loop back over the negative sensor as shown. Attach all factory wires and supplied 4 AWG to the top of the negative sensor. Replace the nut with the stainless M6 flange head provided and zip tie the negative wire to the sensor plug.



11. Enjoy your new SDHQ Built 2019+ Ram 2500/3500 Complete Billet Battery Terminal Kit!

Torque Specifications

1. Torque the 1/4" bolts to 4 ft-lb. Torque the 5/16" hardware to 8 ft-lb. Torque the 3/8" hardware to 18 ft-lb. M8 – 1.25 x 30mm Socket Head Bolt will not be used.

Double check all hardware is installed correctly and tight

Re-torque ALL bolts after 100 miles



190 S McQueen Rd
Ste 109 Gilbert, AZ 85233
www.sdhqoffroad.com

Follow us on:



Facebook



Instagram

For questions or help with the installation, please email help@sdhqoffroad.com
Mon.–Fri. 8:00am–5:30pm and Sat. 8:00am–3:30pm Arizona Time. www.sdhqoffroad.com