



SDHQ Motorsports
190 S McQueen Rd
Ste 109 Gilbert, AZ 85233
Phone: 480-633-2929

Product Packing List

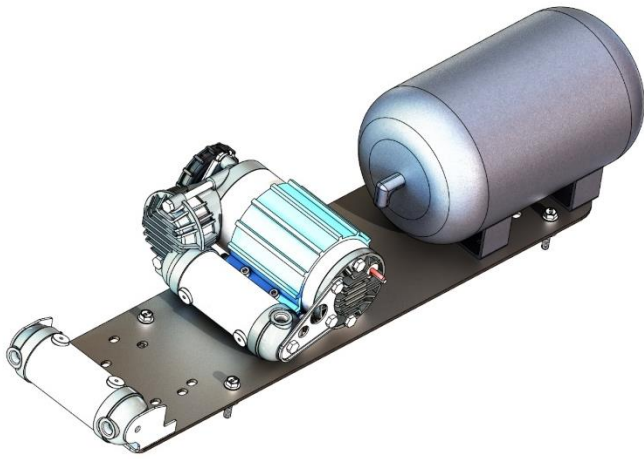
Product: SDHQ-31-1113-G5

Description: 2013+ Ram 2500/3500 Ram Box Air
Compressor and Air Tank Mount

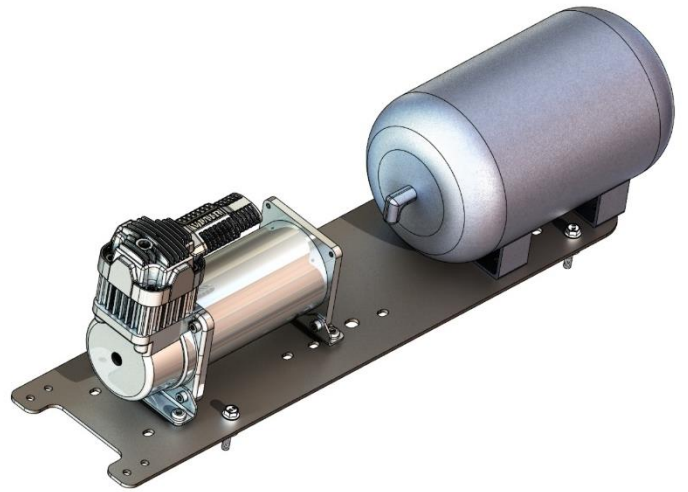
_____ (1) Compressor Mount	SDHQ-31-1113-G5-A
_____ (1) SDHQ Universal ARB Switch Mount	SDHQ-00-1103-SM
_____ (1) Hardware Package	SDHQ-31-1113-G5-HP
_____ (4) M6-1.0 x 35mm JIS Flanged Head Bolts	
_____ (4) 5/8" OD x 1/2" Long for 1/4" Screw Nylon Spacer	
_____ (1) Tube of Blue Loctite	

Inspected and Packaged By: _____ Date: _____

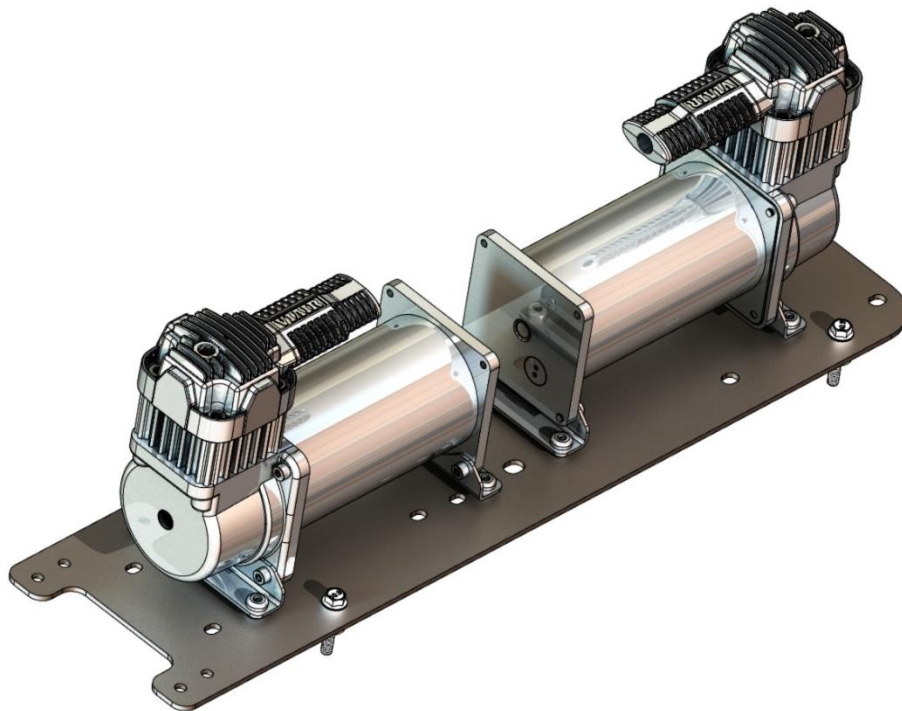
For questions or help with the installation, please email help@sdhqoffroad.com
Store front hours: Mon. – Fri. 8:00am – 5:30pm and Sat. 9:00am – 2:00pm Arizona Time.



ARB Single Air Compressor Mounting



Viair 400C Air Compressor and Air Tank Mounting



Viair 400C Dual Air Compressor Mounting
Note: If running dual 400C compressors, no air tank can be mounted



SDHQ Motorsports
 190 S McQueen Rd
 Ste 109 Gilbert, AZ 85233

INSTALLATION INSTRUCTIONS

Product: SDHQ-31-1113-G5

Description: 2013+ Ram 2500/3500 Ram Box Air Compressor and Air Tank Mount



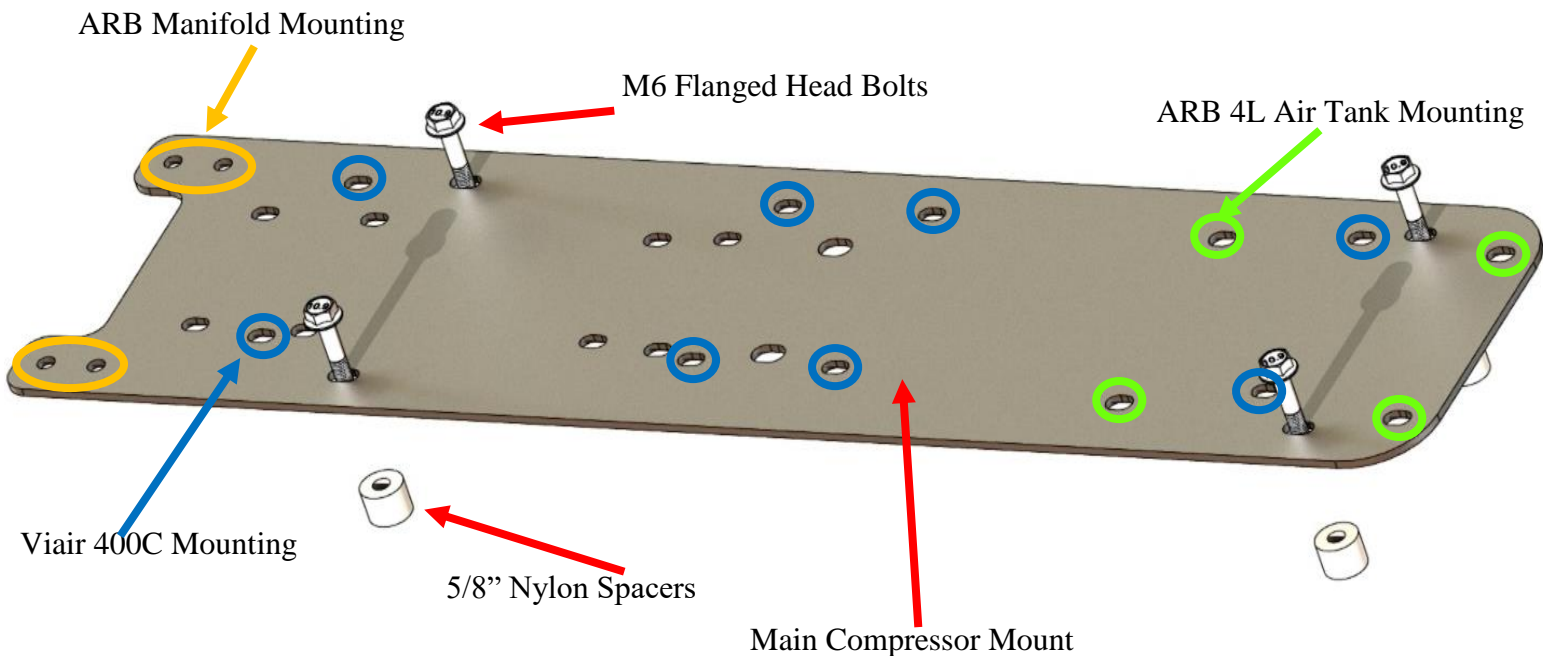
<u>Parts List</u>	<u>Hardware List</u>	<u>Required Tools</u>
(1) Main Compressor Mount SDHQ-31-1113-G5-A (1) SDHQ Universal ARB Switch Mount SDHQ-00-1103-SM (1) Hardware Package SDHQ-31-1113-G5-HP	(4) M6-1.0 x 35mm JIS Flanged Head Bolts (4) 5/8" OD x 1/2" Long for 1/4" Screw Nylon Spacer (1) Tube of Blue Loctite	10mm socket Ratchet 4mm Allen Head Bit

Tech Notes

Fits 2500+ Trucks equipped with Ram Box bedside storage bins
 Fits single or twin ARB air compressors.
 Use Teflon tape or thread sealant on all threaded air fittings.
 Use blue Loctite on supplied hardware.
 Will work on either driver or passenger bedside storage bin
 Vair installs will not use the included Universal ARB Switch Mount
 See **Page 2** for ARB Single and Vair 400C Compressor Mounting
 Vair Air Tanks will NOT fit under the Ram Box lid
Approx. Install Time: 1 Hour (not including wiring or plumbing)

READ ALL INSTRUCTIONS THOROUGHLY FROM START TO FINISH BEFORE BEGINNING INSTALLATION!

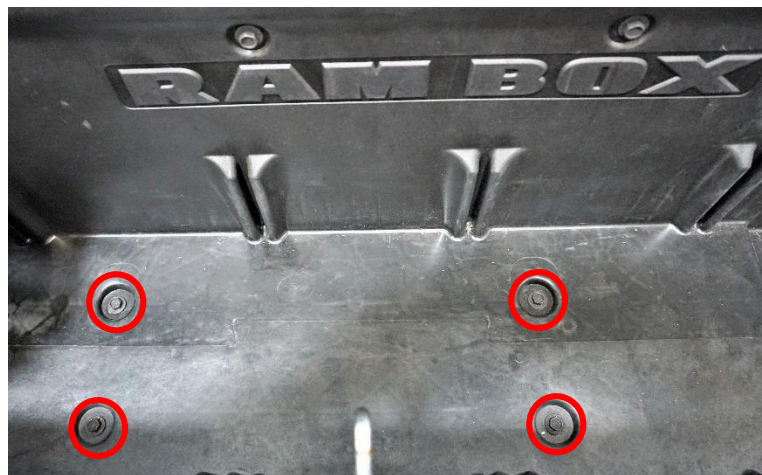
For questions or help with the installation, please email help@sdhqoffroad.com
 Store front hours: Mon. – Fri. 8:00am – 5:30pm and Sat. 9:00am – 2:00pm Arizona Time.



Installation Instructions:

1. Gather all required tools for the installation of your new SDHQ Compressor Mount. Unbox your ARB Compressor Mount and verify all parts are present. Familiarize yourself with the diagrams on page 4.

2. **Preparing your vehicle.** Open up either the driver or passenger side Ram Box lid and remove the (4) 10mm bolts from the middle of the pocket, located directly over the wheel.

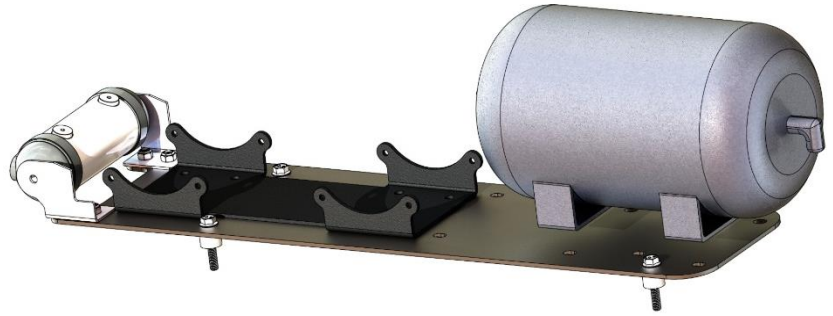


3. **Preparing the ARB twin compressor.** Using your 4mm Allen Head Bit, remove the (8) bolts that hold the frame to the compressor and bolt the bare frame to the mount as shown. **Note:** If you are using a ARB single or Viair 400C compressor then there is no need to disassemble.



For questions or help with the installation, please email help@sdhqoffroad.com
 Store front hours: Mon. – Fri. 8:00am – 5:30pm and Sat. 9:00am – 2:00pm Arizona Time.

4. If desired mount your ARB 4L Air Tank or ARB Manifold now using ARB supplied hardware.



5. Pause install now to wire your compressor, refer to the ARB wiring instructions to properly wire your air compressor. Note: We recommend that when you drill a hole for the wire harness in the storage bin, that you de-pin the connector to minimize the size of the hole.

6. Now set the (4) 5/8" nylon spacers over the exposed bolt holes in the Ram Box and set mount on top of the spacers. Bolt mount into place using the (4) M6 Flanged Head bolts.

7. Reassemble and connect the compressor, then install the SDHQ Universal ARB Switch Mount by referring to its instructions and finally check operation of the lid.

8. Enjoy your SDHQ Air Compressor and Air Tank Mount for your Ram 2500/3500 equipped with the Ram Box!



*****Double check all hardware is installed correctly and tight*****

*****Re-torque ALL bolts after 100 miles*****



190 S McQueen Rd
Ste 109 Gilbert, AZ 85233
www.sdhqoffroad.com

Follow us on:



Facebook



Instagram

For questions or help with the installation, please email help@sdhqoffroad.com
Store front hours: Mon. – Fri. 8:00am – 5:30pm and Sat. 9:00am – 2:00pm Arizona Time.