



SDHQ Motorsports
190 S McQueen Rd
Ste 109 Gilbert, AZ 85233
www.SDHQoffroad.com

Product Packing List

Product: SDHQ-23-3003-EDL

Description: 2018-current Jeep JL & 2020-current Jeep Gladiator Billet Battery Terminal and Distribution Kit

- | | |
|--|---------------------|
| _____ (1) SDHQ Billet Terminal Sensor Kit | SDHQ-02-3003-TS1 |
| _____ (1) SDHQ Billet Battery Distribution Kit | SDHQ-02-3003-D2 |
| _____ (1) Ground Block Negative Wire (392 & 3.0L Eco Diesel) | |
| o 18" 4 AWG Negative Wire | SDHQ-02-3304-B18-35 |
| _____ (1) Hardware Package | SDHQ-23-3003-JL-HP |
| _____ (1) Distribution Block Mount | SDHQ-23-3003-JL |
| _____ (1) M8 - 1.25 SS Flange Head Nut | |
| _____ (4) 8" Zip Ties | |

Inspected and Packaged By: _____ **Date:** _____

For questions or help with the installation, please email help@sdhqoffroad.com
Mon.-Fri. 8:00am-5:30pm and Sat. 8:00am-3:30pm Arizona Time. www.sdhqoffroad.com

Included in **SDHQ-02-3003-D2**

_____	(1) Billet Positive Battery Terminal	SDHQ-02-3003-T2-P-Rev2
_____	(1) Billet Negative Distribution Block	SDHQ-02-3003-D2-N
_____	(1) Hardware Package	SDHQ-02-3003-D2-A
_____	(1) Positive Battery Protective Boot	
_____	(1) Red Post Washer	
_____	(1) M8 - 1.25 x 30mm S.S. Socket Head Bolt	
_____	(1) 5/16" - 18 x 1 1/2" Battery Terminal Bolt	
_____	(1) 5/16" - 18 Battery Shoulder Nut	
_____	(5) 1/4" - 20 x 1/2" S.S. Hex Head Bolt	
_____	(5) 1/4" S.S. Washer	
_____	(1) 5/16" - 18 x 1" S.S. Hex Head Bolt	
_____	(1) 5/16" - 18 x 3/4" S.S. Hex Head Bolt	
_____	(2) 5/16" S.S. Washer	
_____	(2) 3/8" - 16 x 2" S.S. Hex Head Bolt	
_____	(4) 3/8" S.S. Washers	
_____	(2) 3/8" - 16 S.S. Nuts	
_____	(1) Small Tube of Anti-Seize	

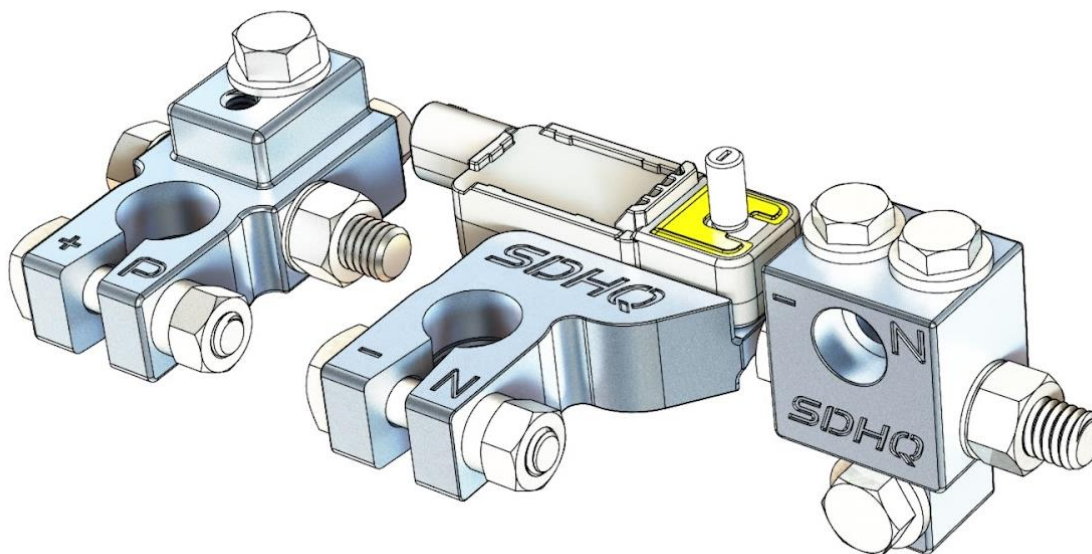
Included in **SDHQ-02-3003-TS1**

_____	(1) Billet Negative Sensor Terminal	SDHQ-02-3003-TS1
_____	(1) Hardware Package	SDHQ-02-3003-TS1-HP
_____	(1) Black Post Washer	
_____	(1) 5/16" - 18 x 1 1/2" Battery Terminal Bolt	
_____	(1) 5/16" - 18 Battery Shoulder Nut	
_____	(1) M6 SS Serrated Flange Head Nut	

INSTALLATION INSTRUCTIONS

Product: SDHQ-23-3003-EDL

Description: SDHQ Built 2018+ Jeep JL & 2020+ Jeep Gladiator Billet Battery Terminal and Distribution Kit



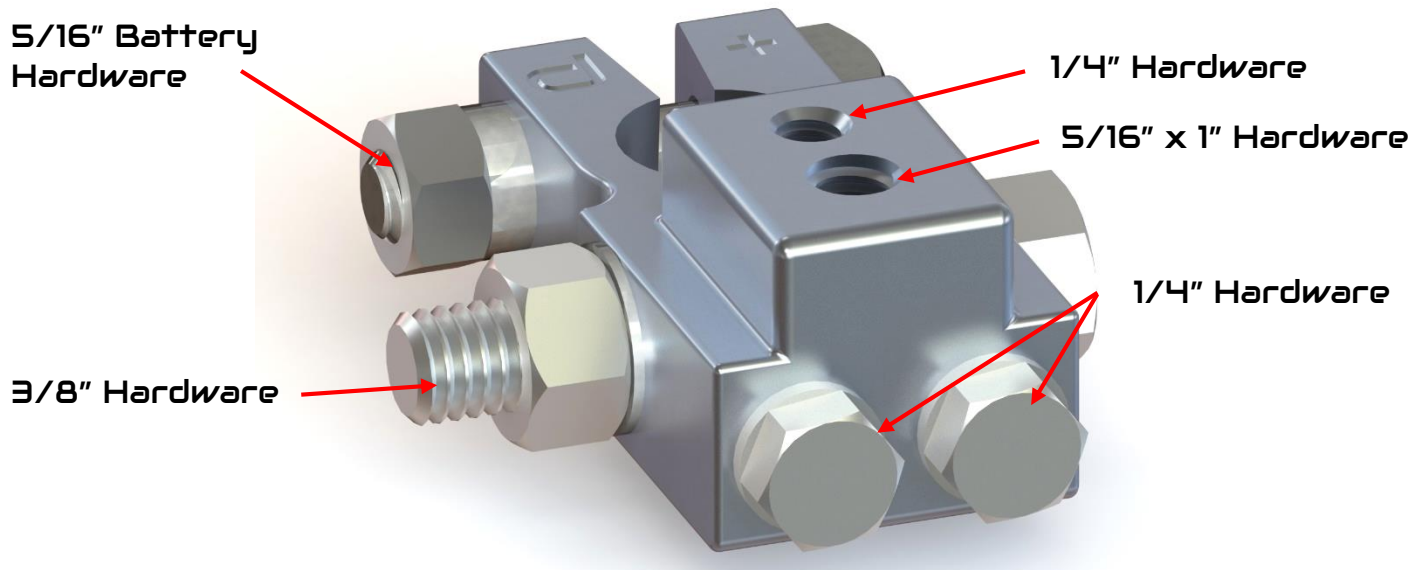
Parts List	Hardware List	Required Tools
(1) Billet Terminal Sensor Kit SDHQ-02-3003-TS1 (1) Billet Terminal/Distribution Kit SDHQ-02-3003-D2 (1) 18" Negative Cable SDHQ-02-3304-B18-35 (1) Distribution Block Mount SDHQ-23-3003-JL-A (1) Hardware Kit SDHQ-23-3003-JL-HP	(1) M8 - 1.25 SS Flange Head Nut (4) 8" Zip Ties	7/16", 1/2", 9/16" Sockets/wrenches 10mm, 12mm 13mm Sockets/wrenches Ratchet 9/16" Wrench 6mm Hex Key Rubber Mallet Flush Cuts/Wire Cutters

Tech Notes

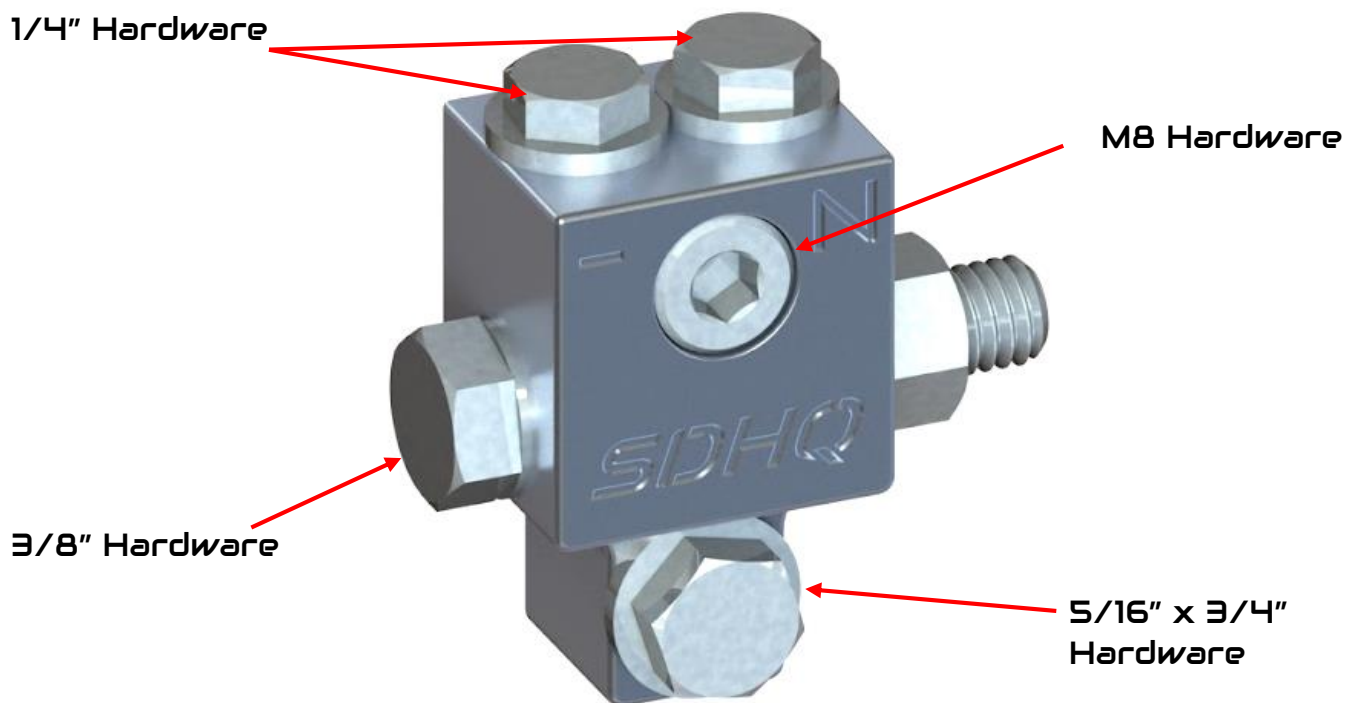
Apply Anti-Seize to all stainless hardware.
 Follow the Torque Specifications on the bottom of Page 7.

Approx. Install Time: 1 Hour

SDHQ Positive Battery Terminal (without Stud)



SDHQ Negative Distribution Block



*****READ ALL INSTRUCTIONS THOROUGHLY FROM START TO FINISH BEFORE BEGINNING INSTALLATION!*****

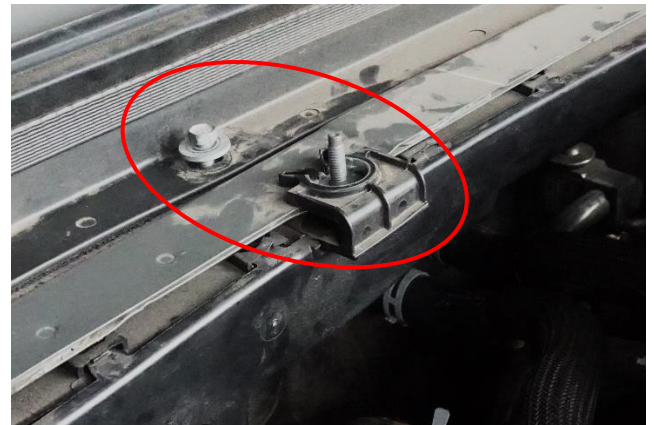
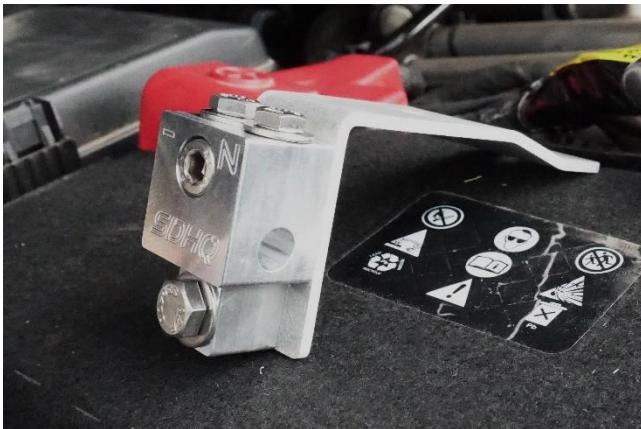
For questions or help with the installation, please email help@sdhqoffroad.com
Mon.–Fri. 8:00am–5:30pm and Sat. 8:00am–3:30pm Arizona Time. www.sdhqoffroad.com

Installation Instructions:

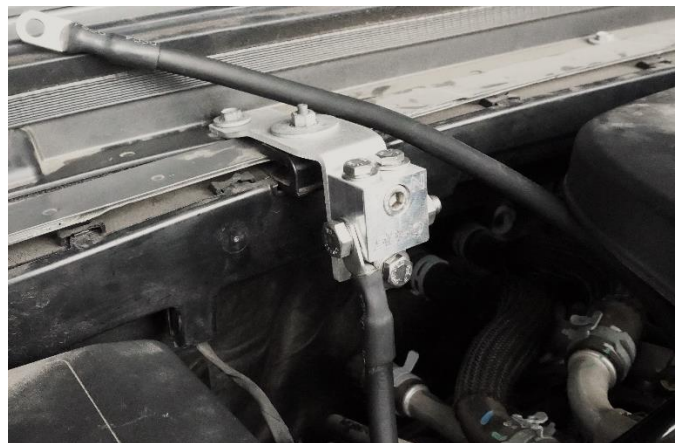
1. Unbox your SDHQ Built Complete Billet Battery Terminal Kit and check over all parts. Familiarize yourself with the parts and diagrams above on Page 4.
2. Disconnect the factory negative wires from the terminal sensor using a 10mm socket. Next remove the negative terminal from the battery using a 10mm socket. Remove the terminal from the terminal sensor using a 10mm socket. Set the negative terminal aside to be replaced. Disconnect the factory positive battery terminal using 10mm socket. Disconnect the positive bus connector from the stock terminal using a 13mm and set the terminal to the side.



3. **Installing the Negative Block.** Assemble the distribution block with all hardware other than the 3/8" through bolt. Attach it to the mount using the M8 socket head bolt and M8 flange head nut as shown. Then remove the 10mm nut and washer off the shown fire wall stud second from the passenger side. Next loosen then 10mm bolt behind the nut such that the distribution mount can slide under.

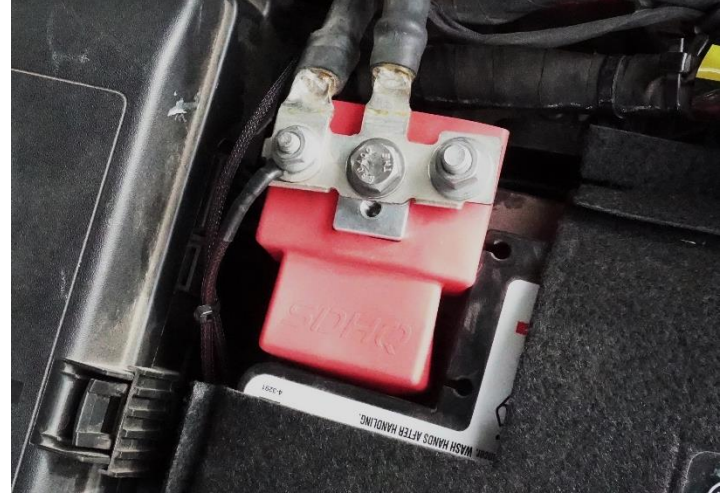


4. Install the mount over the stud and under the rear bolt. Tighten the front 10mm nut first then the rear 10mm bolt. Install the 18" negative cable to the D2 using the 3/8" bolt and leave the slack looped by the mount for now.

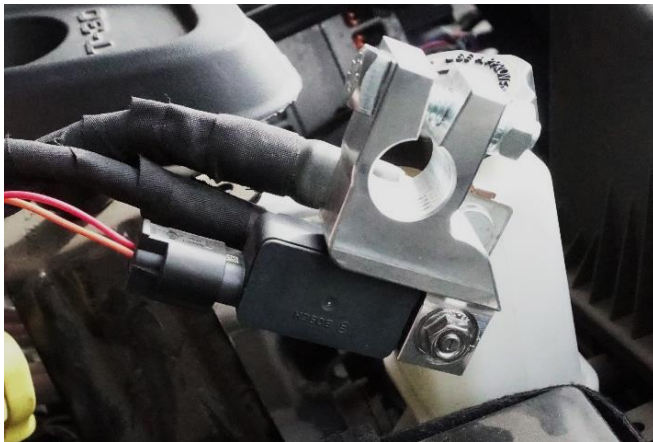


For questions or help with the installation, please email help@sdhqoffroad.com
Mon.–Fri. 8:00am–5:30pm and Sat. 8:00am–3:30pm Arizona Time. www.sdhqoffroad.com

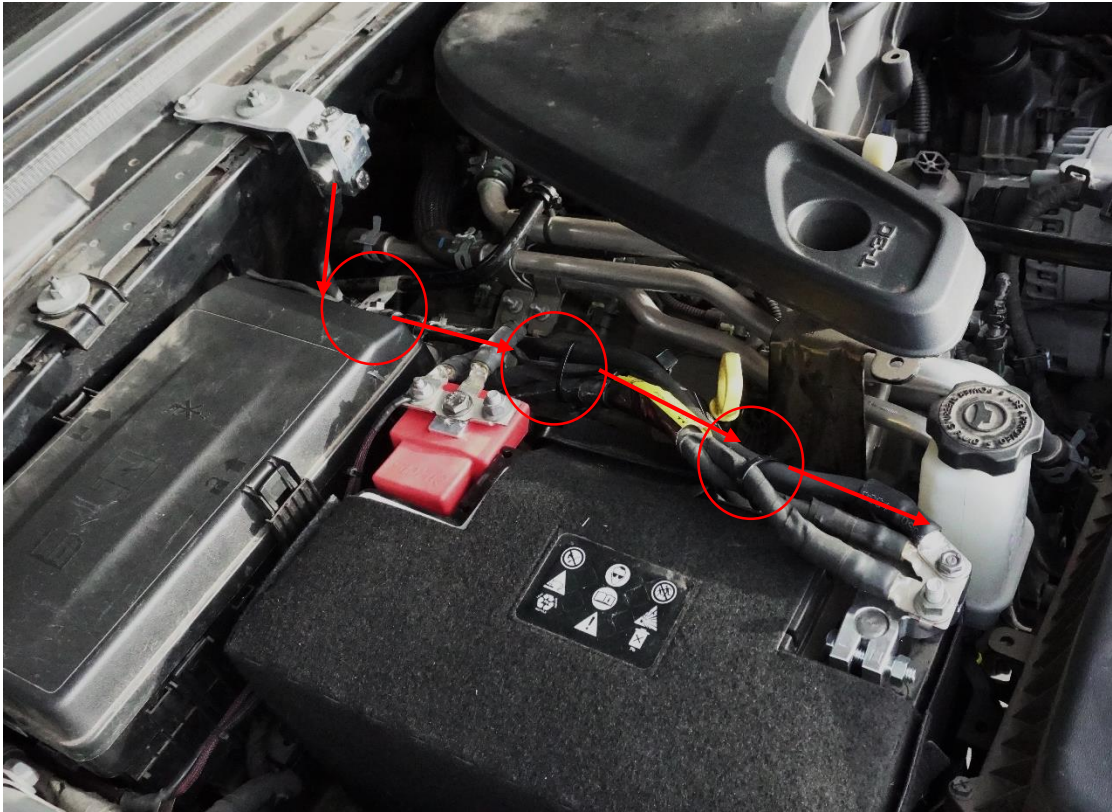
- 5. Installing the Positive Terminal.** Assemble you positive terminal with the supplied hardware referencing the diagrams on page 4. Place the Red Post Washer and SDHQ Positive Battery Terminal on top of the positive battery post. Lightly tap on the top of the terminal using a rubber mallet to set it on the battery post. Tighten the 5/16" Battery Bolt and Nut using 1/2" wrenches on both to prevent damaging the battery post. Connect any accessories to the terminal as needed. Then place the Red Battery Boot over the terminal and connect the factory bus connector to the top 5/16" hole on the terminal.



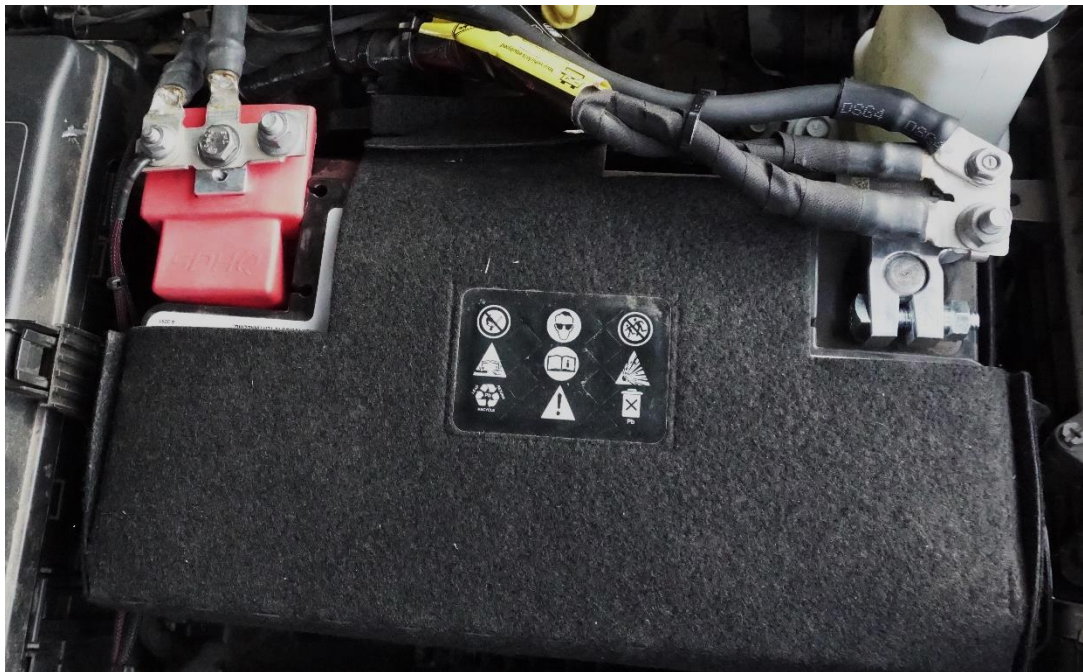
- 6. Installing the Sensor Terminal** Connect the terminal sensor the billet sensor terminal (02-3003-TS1) using the supplied M6 stainless nut. Then install the sensor terminal on the negative stud placing a black terminal washer down first. Lightly tap on the top of the terminal using a rubber mallet to set it on the battery post. Tighten the 5/16" Battery Bolt and Nut using 1/2" wrenches on both to prevent damaging the battery post. Attach the factory negative wires as well as the distribution negative cable to the Terminal Sensor using a 10mm nut.



- 7. Installing the Positive Terminal.** Double check that all connections are secure and that no wires were left disconnected. Using the supplied 8" zip ties, attach the negative wire along the run of factory negative wires leaving the little bit of slack on the distribution mount side. Routing shown on the next page.



8. Enjoy your new SDHQ Jeep JL/Gladiator Billet Battery Terminal and Distribution Kit!



Torque Specifications

1. Torque the 1/4" bolts to 4 ft-lb. Torque the 5/16" hardware to 8 ft-lb. Torque the 3/8" hardware to 18 ft-lb. Torque the M8 – 1.25 x 30mm to 16 ft-lb.

For questions or help with the installation, please email help@sdhqoffroad.com
Mon.–Fri. 8:00am–5:30pm and Sat. 8:00am–3:30pm Arizona Time. www.sdhqoffroad.com

Double check all hardware is installed correctly and tight

Re-torque ALL bolts after 100 miles



190 S McQueen Rd
Ste 109 Gilbert, AZ 85233
www.sdhqoffroad.com

Follow us on:



Facebook



Instagram

For questions or help with the installation, please email help@sdhqoffroad.com
Mon.–Fri. 8:00am–5:30pm and Sat. 8:00am–3:30pm Arizona Time. www.sdhqoffroad.com