



**SDHQ Motorsports**  
190 S McQueen Rd  
Ste 109 Gilbert, AZ 85233  
[www.SDHQoffroad.com](http://www.SDHQoffroad.com)

---

## Product Packing List

**Product:** *SDHQ-11-3003-G5-SB*

**Description:** **SDHQ Built 2023-Current Ford Super Duty Billet Single Battery Terminal Kit**

_____ (1) SDHQ Billet Terminal and Distribution Kit	SDHQ-02-3003-D2
_____ (1) SDHQ Billet Negative Terminal Sensor Kit	SDHQ-02-3003-TS1
_____ (1) SDHQ 2/0 GA Solder Lug & Heat Shrink	SDHQ-02-3720
_____ (1) SDHQ 13" Negative 4GA Battery to Block	SDHQ-02-3304-B13-35
_____ (1) Hardware Package	SDHQ-11-3003-G5-HP
_____ (1) Bent Aluminum Bracket	SDHQ-11-3003-G5-A
_____ (1) M8 x 1.25mm S.S. Serrated Flange Locknut	
_____ (1) 1/4"-20 x 3/4" S.S. Hex Head Bolt	
_____ (1) 1/4" S.S. Washer	
_____ (1) 1/4" S.S. Fender Washer (1" OD)	
_____ (1) 1/4"-20 S.S. Nylock Nut	

**Inspected and Packaged By:** \_\_\_\_\_ **Date:** \_\_\_\_\_

Included in SDHQ-02-3003-D2:

- (1) SDHQ Billet Positive Battery Terminal
- (1) SDHQ Billet Negative Distribution Block
- (1) Hardware Package
  - (1) Positive Battery Protective Boot
  - (1) Red Post Washer
  - (1) M8 - 1.25 x 30mm S.S. Socket Head Bolt
  - (1) 5/16" - 18 x 1 1/2" Battery Terminal Bolt
  - (1) 5/16" - 18 Battery Shoulder Nut
  - (5) 1/4" - 20 x 1/2" S.S. Hex Head Bolt
  - (5) 1/4" S.S. Washer
  - (1) 5/16" - 18 x 1" S.S. Hex Head Bolt
  - (1) 5/16" - 18 x 3/4" S.S. Hex Head Bolt
  - (2) 5/16" S.S. Washer
  - (2) 3/8" - 16 x 2" S.S. Hex Head Bolt
  - (4) 3/8" S.S. Washers
  - (2) 3/8" - 16 S.S. Nuts
  - (1) Small Tube of Anti-Seize

SDHQ-02-3003-T2-P-Rev2  
SDHQ-02-3003-D2-N

Included in SDHQ-02-3003-TS1:

- (1) SDHQ Billet Negative Sensor Terminal
- (1) Hardware Package
  - (1) Black Post Washer
  - (1) 5/16" - 18 x 1-1/2" Battery Terminal Bolt
  - (1) 5/16" - 18 Battery Shoulder Nut
  - (1) M6 S.S. Serrated Flange Nut

SDHQ-02-3003-TS1  
SDHQ-02-3003-TS1-HP



SDHQ Motorsports  
 190 S McQueen Rd  
 Ste 109 Gilbert, AZ 85233  
[www.SDHQoffroad.com](http://www.SDHQoffroad.com)

## INSTALLATION INSTRUCTIONS

**Product:** SDHQ-11-3003-G5-SB

**Description:** SDHQ Built 2023-Current Ford Super Duty Billet Single Battery Terminal Kit



<b>Parts List</b>	<b>Hardware List</b>	<b>Required Tools</b>
(1) SDHQ Terminal and Distribution Kit SDHQ-02-3003-D2 (1) SDHQ Negative Terminal Sensor Kit SDHQ-02-3003-TS1 (2) SDHQ 1-2GA Lugs & Heat Shrink SDHQ-02-3802 OR SDHQ-02-3701 (1) SDHQ 13" Negative 4GA Cable SDHQ-02-3304-B13-35 (1) Hardware Package SDHQ-11-3003-G5-HP	(1) Bent Aluminum Bracket (SDHQ-11-3003-G5-A) (1) M8 x 1.25mm S.S. Serrated Flange Locknut (1) 1/4"-20 x 3/4" S.S. Hex Head Bolt (1) 1/4" S.S. Washer (1) 1/4" S.S. Fender Washer (1" OD) (1) 1/4"-20 S.S. Nylock Nut	7/16", 1/2", 9/16" Sockets 7mm, 10mm, 12mm, 13mm Sockets Ratchet 7/16", 1/2", 9/16" Wrench Pliers Wire Cutters Heat Gun Rubber Mallet E16 Torx Socket

### **Tech Notes**

Fits 2023+ Ford F-250/350 with factory single batteries.  
 Cutting the factory terminals off is required.

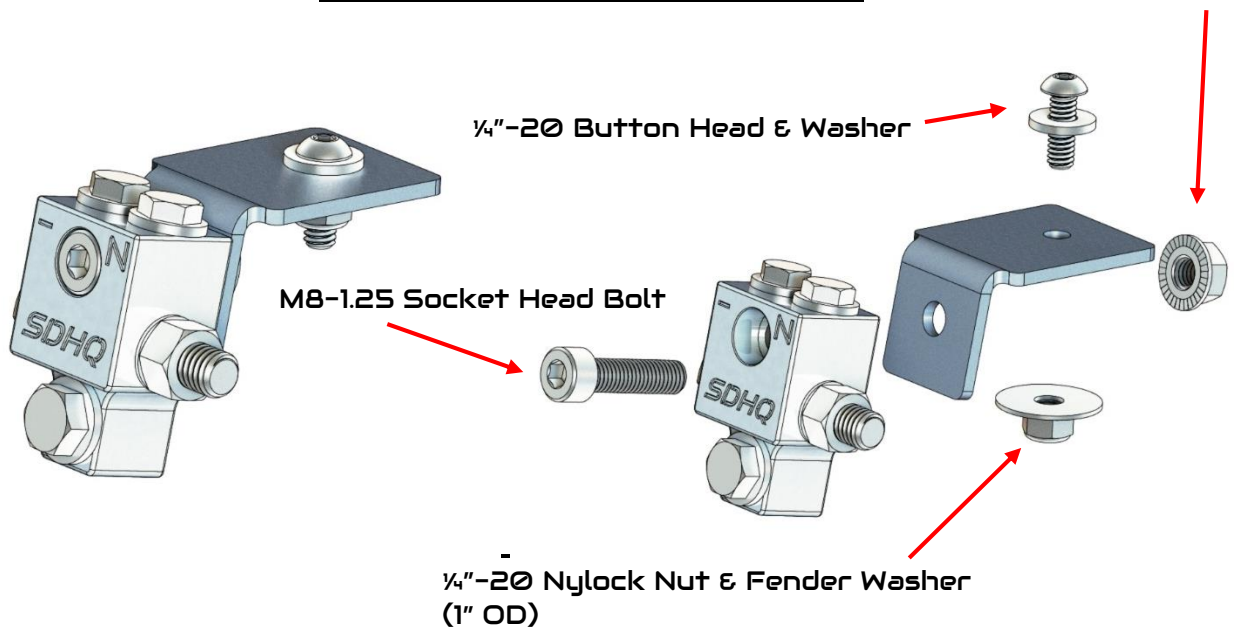
#### **Torque Specifications**

Torque the 1/4"-20 bolts to 4 ft-lb. Torque the 5/16"-18 bolts to 8 ft-lb. Torque the 3/8"-16 bolts to 18 ft-lb.

Approx. Install Time: 1+ Hour

**\*\*\*READ ALL INSTRUCTIONS THOROUGHLY FROM START TO FINISH BEFORE BEGINNING INSTALLATION!\*\*\***

For questions or help with the installation, please email [help@sdhqoffroad.com](mailto:help@sdhqoffroad.com)  
 Store front hours: Mon. – Fri. 8:00am – 5:30pm and Sat. 9:00am – 2:00pm Arizona Time.



### **Installation Instructions:**

1. Unbox and verify all parts are present. Familiarize yourself with the parts and diagram above.
2. Using a 10mm socket disconnect the negative terminal.
3. **Removing the Positive Terminal.** Using a 10mm socket remove the nut retaining the small positive wire. Using a 10mm socket remove the positive terminal from the battery. Use scissors to trim back the wiring tape to expose the wires. Strip 1" of insulation off the positive wires. There are two large power wires attached to the positive terminal, these wires be installed into (1) 2/0 GA Solder Lug. Recommended to remove the battery to install the solder lug.



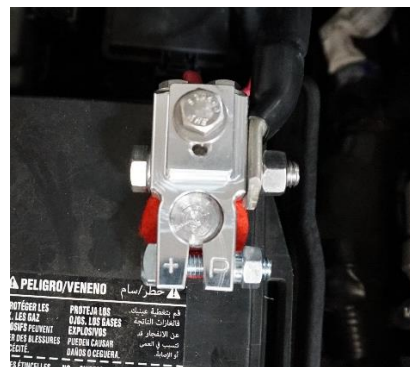
4. Using a 10mm socket remove the ground wires attached to the negative terminal on the passenger side battery. Disconnect the wiring harness attached to the Bosch BMS (battery management system). Using a E16 Torx Socket remove the BMS. Using a 10mm socket attach the BMS to the TS1 Terminal using the supplied M6 flange nut.



5. **Installing Lug.** Strip 1" of insulation off the positive wire. Using pliers/channel locks to hold the 1-2 GA solder lug, heat the lug upright with the wire inserted. Twist the wire back and forth applying downward pressure until it is fully seated in the solder lug and let cool. Check the connection for a strong bond then place 3" of heat shrink over the lug and wire and heat to secure. Repeat the process for the negative wire. **\*\*Recommended to have an extra person to hold the torch or heat gun when installing the solder lug.\*\***

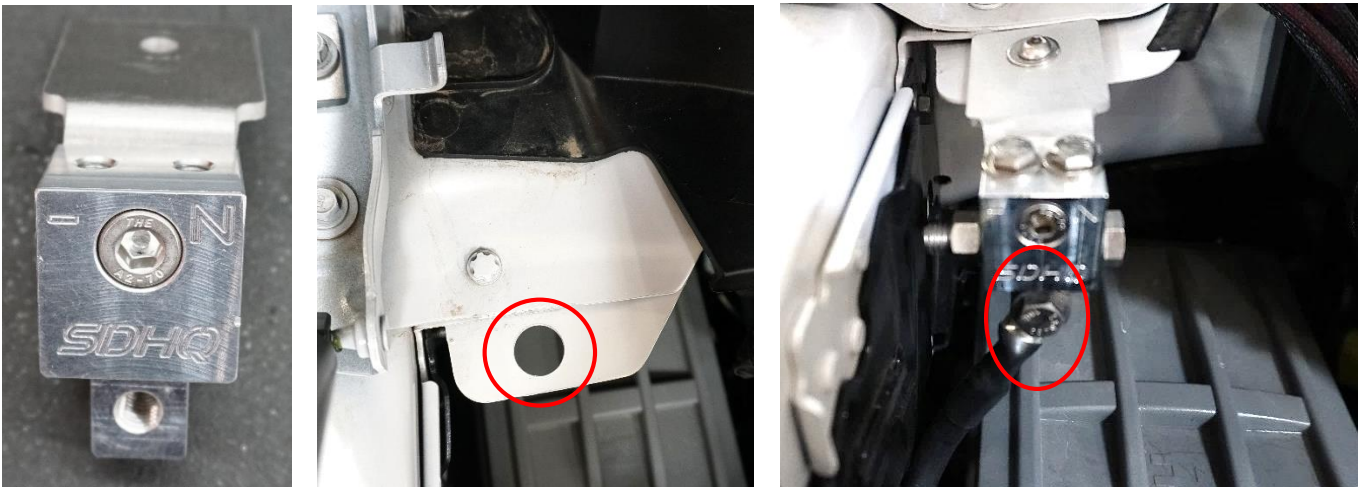


6. **Installing Battery Terminals.** Install the SDHQ HD Battery Terminals (02-3003-C1) and post washers onto the **driver side** battery. Install the SDHQ Battery Terminal (02-3003-T2-P-Rev2) and post washer onto the **passenger side** positive terminal. Install the SDHQ Negative Sensor Terminal (02-3003-TS1) and post washer onto the **passenger side** negative terminal. Using a rubber mallet lightly tap the top of the terminals to set them on the battery posts. Tighten the 5/16" Battery Bolt and Nut, using a 1/2" wrench on both to prevent damaging the battery post. Refer to the Battery Terminal Install Instructions for accessory mounting options. **\*\* Leave the terminals disconnected from power for now.\*\***



For questions or help with the installation, please email [help@sdhqoffroad.com](mailto:help@sdhqoffroad.com)  
 Store front hours: Mon. – Fri. 8:00am – 5:30pm and Sat. 9:00am – 2:00pm Arizona Time.

**7. Installing Distribution Block.** Install the SDHQ Negative Distribution Block (02-3003-D2-N) onto the Bent Aluminum Bracket using the supplied M8 socket head and flange nut. Using the 1/4" hardware install the bracket over the passenger panel hole by the firewall circled in red, the fender washer is placed below the body panel to secure the bracket. Connect the 3/8" eyelet end of the 13" Negative cable to the 5/16" bolt on the Distribution Block.



**8. Place the 5/16" eyelet end of the 13" Negative cable to the sensor stud, tighten down the nut using a 10mm socket. Use the supplied 3/8" hex head bolt and nut to secure the positive lugs to the positive terminal. Connect all accessories to the terminals and place the positive protective boot on.**



**9. You have completed the SDHQ 2023+ Ford Super Duty Battery Terminal Upgrade!**



For questions or help with the installation, please email [help@sdhqoffroad.com](mailto:help@sdhqoffroad.com)  
Store front hours: Mon. – Fri. 8:00am – 5:30pm and Sat. 9:00am – 2:00pm Arizona Time.

**\*\*\*Double check all hardware is installed correctly and tight\*\*\***

**\*\*\*Re-torque ALL bolts after 100 miles\*\*\***



190 S McQueen Rd  
Ste 109 Gilbert, AZ 85233  
[www.sdhqoffroad.com](http://www.sdhqoffroad.com)

Follow us on:



Facebook



Instagram

For questions or help with the installation, please email [help@sdhqoffroad.com](mailto:help@sdhqoffroad.com)  
Store front hours: Mon. – Fri. 8:00am – 5:30pm and Sat. 9:00am – 2:00pm Arizona Time.