



**SDHQ Motorsports**  
190 S McQueen Rd  
Ste 109 Gilbert, AZ 85233  
Phone: 480-633-2929

## Product Packing List

**Product:** SDHQ-11-1206-G4

**Description:** 2017+ Ford Super Duty A-Pillar Light Mounts

- |       |   |                        |
|-------|---|------------------------|
| _____ | (1) Driver Side A-Pillar Mount                | SDHQ-11-1206-G4-A-Rev2 |
| _____ | (1) Passenger Side A-Pillar Mount             | SDHQ-11-1206-G4-B-Rev2 |
| _____ | (1) Driver Side Upper Bracket                 | SDHQ-11-1206-G4-C      |
| _____ | (1) Passenger Side Upper Bracket              | SDHQ-11-1206-G4-D      |
| _____ | (1) Hardware Package                          | SDHQ-11-1206-G4-HP     |
| _____ | (6) 1/4" - 20 x 3/4" S.S. Hex Head Bolts      |                        |
| _____ | (6) 1/4" - 20 S.S. Nylock Nuts                |                        |
| _____ | (12) 1/4" S.S. SAE Flat Washers               |                        |
| _____ | (2) 5/16" - 18 x 3/4" S.S. Flat Head Bolts    |                        |
| _____ | (2) 5/16" Grade 8 Washers                     |                        |
| _____ | (2) 5/16" - 18 Grade 8 Nuts                   |                        |
| _____ | (2) Machined Slot Pucks                       |                        |
| _____ | (2) Threaded Rubber Isolator Spacer with Stud |                        |
| _____ | (1) Stubby 3/16" Allen Wrench                 |                        |
| _____ | (1) Tube of Blue Loctite                      |                        |

Inspected and Packaged By: \_\_\_\_\_ Date: \_\_\_\_\_

For questions or help with the installation, please call SDHQ Offroad @ 480-633-2929  
Mon.-Fri. 8:00am-5:30pm and Sat. 8:00am-3:30pm Arizona Time. [www.sdhqoffroad.com](http://www.sdhqoffroad.com)

**For questions or help with the installation, please call SDHQ Offroad @ 480-633-2929  
Mon.–Fri. 8:00am–5:30pm and Sat. 8:00am–3:30pm Arizona Time. [www.sdhqoffroad.com](http://www.sdhqoffroad.com)**



SDHQ Motorsports  
 190 S McQueen Rd  
 Ste 109 Gilbert, AZ 85233  
 Phone: 480-633-2929

## INSTALLATION INSTRUCTIONS

**Product:** *SDHQ-11-1206-G4*

**Description:** 2017+ Ford Super Duty A-Pillar Light Mounts



<u>Parts List</u>	<u>Hardware List</u>	<u>Required Tools</u>
(1) Driver A-Pillar Mount SDHQ-11-1206-G4-A-Rev2 (1) Passenger A-Pillar Mount SDHQ-11-1206-G4-B-Rev2 (1) Driver Upper Bracket SDHQ-11-1206-G4-C (1) Passenger Upper Bracket SDHQ-11-1206-G4-D (1) Hardware Package SDHQ-11-1206-G4-HP	(6) 1/4" – 20 x 3/4" S.S. Hex Head Bolts (6) 1/4" – 20 S.S. Nylock Nuts (12) 1/4" S.S. SAE Flat Washers (2) 5/16" – 18 x 3/4" S.S. Flat Head Bolt (2) 5/16" Grade 8 Washer (2) 5/16" – 18 Grade 8 Nut (2) Machined Slot Puck (2) Rubber Isolator Spacer (1) Tube of Blue Loctite (1) Stubby 3/16" Allen Wrench	1/4" Drive Short 10mm Socket 1/4" Drive 11mm or 7/16" Socket 1/4" Drive Wobble 13mm Socket 1/4" Drive Ratchet 1/4" Drive 3" Extension 7/16" or 11mm Ratcheting Wrench Door Panel Removal Tool or (2) Flat Head Screw Drivers Masking tape Anti-Seize Lubricant

### Tech Notes

No cutting or drilling required.

Use Anti-Seize on all **Stainless Steel Hardware**, unless otherwise specified.

Upper brackets mount to the **OUTSIDE** of the A-Pillar Mounts.

**\*\*Approximate Install Time: 1.5 hours (not including wiring)\*\***

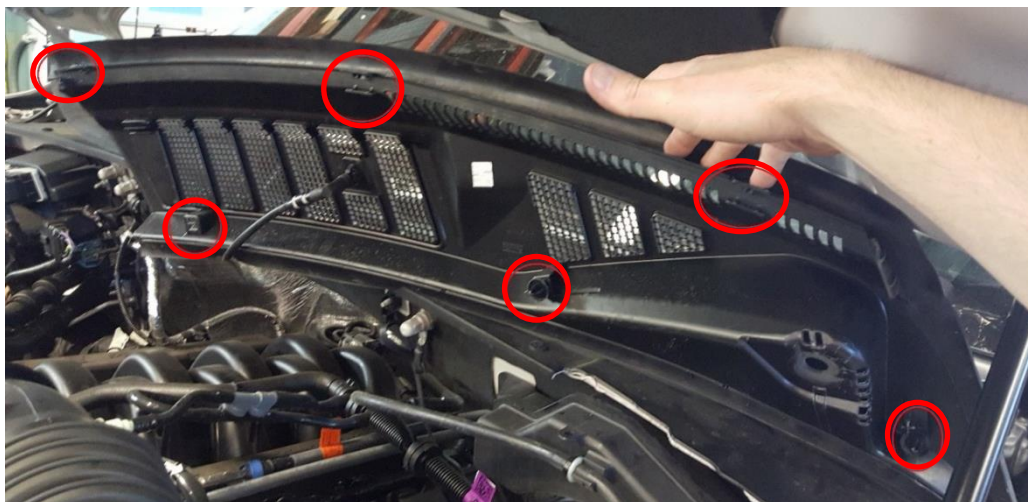
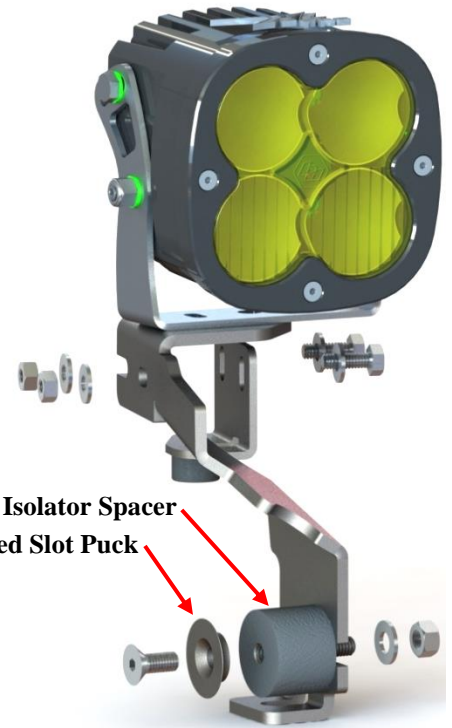
**\*\*\*READ ALL INSTRUCTIONS THOROUGHLY FROM START TO FINISH BEFORE BEGINNING INSTALLATION!\*\*\***

For questions or help with the installation, please call SDHQ Offroad @ 480-633-2929  
 Mon.–Fri. 8:00am–5:30pm and Sat. 8:00am–3:30pm Arizona Time. [www.sdhqoffroad.com](http://www.sdhqoffroad.com)

## Exploded View of Driver Side A-Pillar

### Installation Instructions:

1. Un-box your SDHQ 2017+ Super Duty A-Pillar Light Mounts and lay the parts out on a clean table. Verify all parts are present and familiarize yourself with the parts.
2. Flip up your windshield wipers as if you are going to be cleaning your windshield. Locate the small tab on the underside of the wiper arm where it attaches to the shaft. Pull out on this tab and lift the wiper arms off the shafts and set aside. **\*\*Note:** There is a small silver keyway that may fallout. Be sure to locate this during removal and reuse during install.
3. Open the hood of your truck. Use masking tape to tape off the outer edges of the hood and the top back edges of the fenders where the light mounts will be installed.
4. Now the plastic cowl will need to be removed. Starting on the driver side, gently pry up on the visible clips that hold on the top plastic half of the cowl. Slowly work it off being careful not to distort or break any clips. The entire cowl is held in by snap in clips. Most of the clips are visible in the front, but some are hidden underneath in the back. A good tug, pulling up closest to the remaining engaged clips works best for removal. Set the driver side cowl aside once it has been unclipped from the truck. There is enough slack in the windshield washer lines to leave them attached. Repeat for the passenger side cowl.

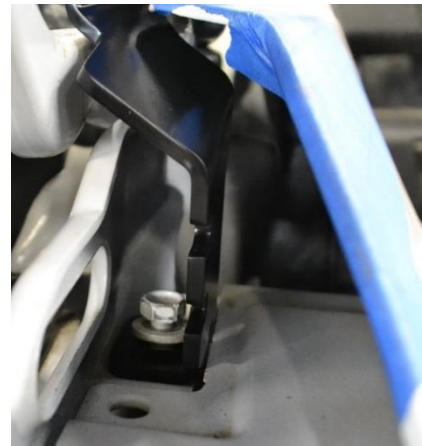
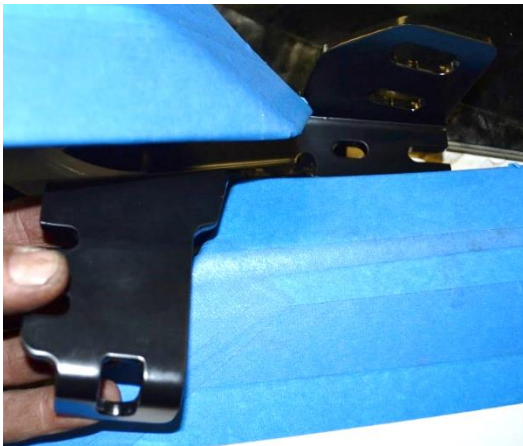


For questions or help with the installation, please call SDHQ Offroad @ 480-633-2929  
Mon.-Fri. 8:00am-5:30pm and Sat. 8:00am-3:30pm Arizona Time. [www.sdhqoffroad.com](http://www.sdhqoffroad.com)

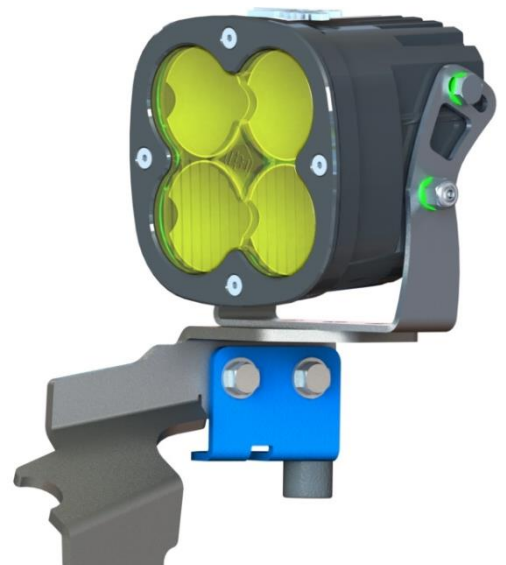
5. Starting on the driver side, remove the 10mm head fender bolt that was covered by the cowl at the top of the fender. Remove the rear 13mm bolt that holds down the back of the hood hinge to the truck. Set both of these bolts aside as they will be reused.



6. Locate the Driver Side Light Mount. Carefully slide the mount down between the fender and the hood hinge. It is recommended to position the mount as shown below. Once the mount is in position, the bottom D-Shaped slot can be twisted around the fender and aligned with the rear 13mm hood hinge mount. Insert and begin threading in the 13mm bolt.



7. Next, align the Driver Side Upper Bracket so the rubber isolator is up against the cab of the truck and double slots are on the **OUTSIDE** of the Driver Side Light Mount as pictured to the right. See exploded view on Page 4. Insert and begin threading the 10mm headed fender bolt.
8. Insert (1) 1/4" – 20 x 3/4" stainless steel bolt with (1) 1/4" washer through the Driver Side Upper Bracket and the Driver Side Light Mount. Place another 1/4" washer and hand tighten a 1/4" – 20 locknut. Repeat this step for the second hole in the mounts.



9. Align the edge of the Driver Side Light Mount to the flat fender edge as pictured. Pull the mount out towards the driver side of the truck and tighten the 13mm headed bolt. Tighten the 10mm fender mount bolt next. Tighten both of the stainless steel bolts and their locknuts. Loosen and adjust as needed for best alignment.



10. Place a couple of drops of blue Loctite onto the threaded stud protruding from the Rubber Isolator Spacer. Place a 5/16" washer and thread 1-2 threads of a 5/16" nut onto the threaded stud. Insert (1) 5/16" S.S. Flat Head Bolt into the countersunk Machined Slot Puck and place a couple of drops of blue Loctite onto the threads. Position the Rubber Isolator Spacer on the outside of the hood hinge in front of the light mount, and tighten the 5/16" bolt/Machined Slot Puck into the threaded hole in the Rubber Isolator Spacer. Slide the Machined Slot Puck/Rubber Isolator Spacer Assembly backwards between the light mount and hood hinge. Tighten the 5/16" bolt first, then tighten 5/16" nut.

11. Repeat steps 5-10 for the Passenger Side Light Mount. Reverse steps 4 through 1 to complete the installation. Install lights via the large mounting slot and position as desired. Use the excess 1/4" hardware for securing larger lights. Wire your lights and enjoy!

**\*\*\*Double check all hardware is installed correctly and tight\*\*\***

**\*\*\*Re-torque ALL bolts after 100 miles\*\*\***



190 S McQueen Rd  
Ste 109 Gilbert, AZ 85233  
Phone: 480-633-2929 | Fax: 480-633-1791  
[www.sdhqoffroad.com](http://www.sdhqoffroad.com)

Follow us on:



Facebook



Instagram

For questions or help with the installation, please call SDHQ Offroad @ 480-633-2929  
Mon.-Fri. 8:00am-5:30pm and Sat. 8:00am-3:30pm Arizona Time. [www.sdhqoffroad.com](http://www.sdhqoffroad.com)