



SDHQ Motorsports  
190 S McQueen Rd  
Ste 109 Gilbert, AZ 85233  
[www.SDHQoffroad.com](http://www.SDHQoffroad.com)

---

## Product Packing List

**Product:** *SDHQ-02-3003-CPI*

**Description:** SDHQ Built Copper Battery Terminal Post Kit

_____ (1) Copper Positive Battery Terminal Post	SDHQ-02-3003-CPI-P
_____ (1) Copper Negative Battery Terminal Post	SDHQ-02-3003-CPI-N
_____ (1) Hardware Package	SDHQ-02-3003-CPI-HW
_____ (2) 5/16" - 18 x 1 ¼" Button Socket Cap Screw	

Inspected and Packaged By: \_\_\_\_\_ Date: \_\_\_\_\_

For questions or help with the installation, please email [help@sdhqoffroad.com](mailto:help@sdhqoffroad.com)  
Store front hours: Mon. – Fri. 8:00am – 5:30pm and Sat. 9:00am – 2:00pm Arizona Time.





SDHQ Motorsports  
190 S McQueen Rd  
Ste 109 Gilbert, AZ 85233  
[www.SDHQoffroad.com](http://www.SDHQoffroad.com)

## INSTALLATION INSTRUCTIONS

**Product:** SDHQ-02-3003-CP1

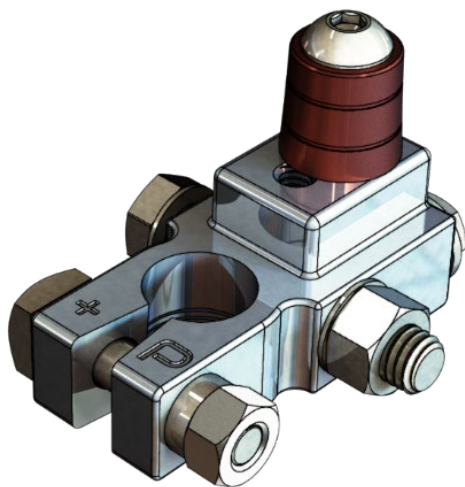
**Description:** SDHQ Built Copper Battery Terminal Post Kit



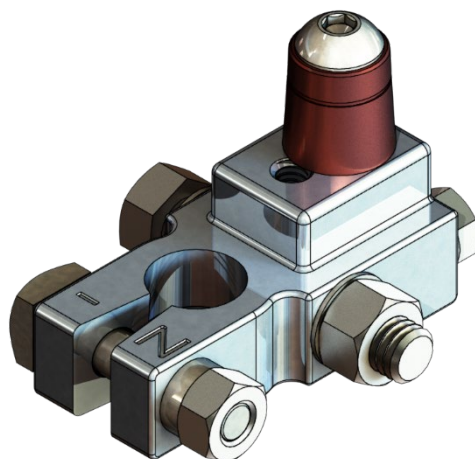
<b>Parts List</b>	<b>Hardware List</b>	<b>Required Tools</b>
(1) SDHQ Copper Positive Post SDHQ-02-3003-CP1-P (1) SDHQ Copper Negative Post SDHQ-02-3003-CP1-N (1) Hardware Package SDHQ-02-3003-CP1-HW	(2) 5/16"-18 x 1/4" Button Socket Cap Screw	3/16" Allen Wrench 1/2" wrench or socket Ratchet
<b>Tech Notes</b>		
Torque 5/16"-18 screws to 8 ft-lb <b>*Positive Post has two lines, Negative Post has one line</b> Approx. Install Time: 10 mins		

\*\*\*READ ALL INSTRUCTIONS THOROUGHLY FROM START TO FINISH BEFORE BEGINNING INSTALLATION!\*\*\*

For questions or help with the installation, please email [help@sdhqoffroad.com](mailto:help@sdhqoffroad.com)  
Store front hours: Mon. – Fri. 8:00am – 5:30pm and Sat. 9:00am – 2:00pm Arizona Time.



**Positive Terminal with Copper Post Installed**



**Negative Terminal with Copper Post Installed**



**Positive Post**



**Negative Post**

## **Installation Instructions:**

1. Unbox your SDHQ Built Copper Battery Terminal Post Kit and check over all the parts. Familiarize yourself with the parts and diagrams above.
2. Remove the 5/16" hex head bolt pictured below from the positive terminal, this is done using a 1/2" socket or wrench. Set the bolt and washer aside as these will not be reused.



3. Place the Copper Positive Post (**Post with 2 lines**) onto the top of the terminal and thread the 5/16"-18 x 1/4" Button Socket Cap Screw into the 5/16" threaded hole in the top of the battery terminal. Torque 5/16"-18 screw to 8 ft-lb.



4. Repeat these steps for the Negative Terminal (**Post with 1 line**) to complete the install.

**\*\*\*Double check all hardware is installed correctly and tight\*\*\***

**\*\*\*Re-torque ALL bolts after 100 miles\*\*\***



190 S McQueen Rd  
Ste 109 Gilbert, AZ 85233  
[www.sdhqoffroad.com](http://www.sdhqoffroad.com)

Follow us on:



Facebook



Instagram

For questions or help with the installation, please email [help@sdhqoffroad.com](mailto:help@sdhqoffroad.com)  
Store front hours: Mon. – Fri. 8:00am – 5:30pm and Sat. 9:00am – 2:00pm Arizona Time.